

やまこよ[®]

YAMAKOYO[®]

SH 3500 DXE



SH 3500 DXE

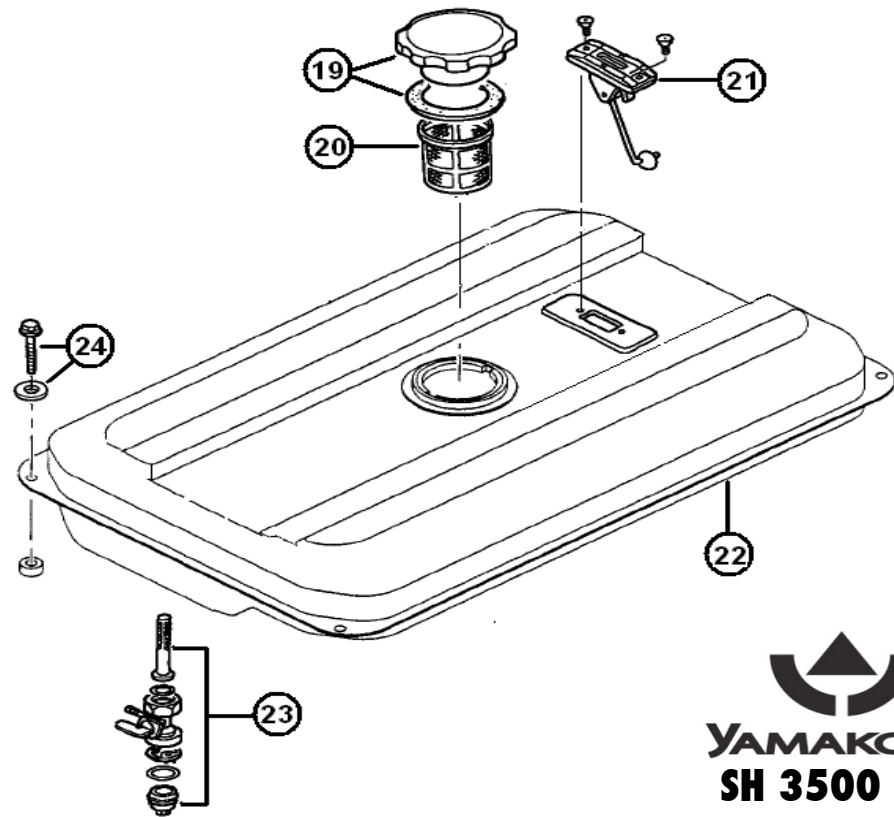
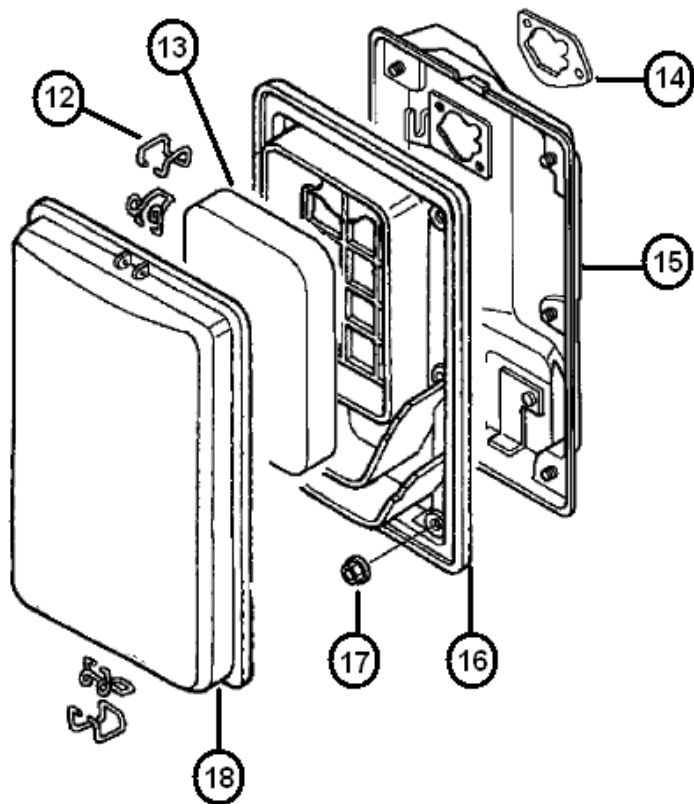
No.	P/N	Description	Qty	No.	P/N	Description	Qty	No.	P/N	Description	Qty
1	68-01	Fuel Tank Assy	1	6	68-06	Locking Nut Kit	2	68-77	Leveler Bumper	2	
2	68-02	Complete Panel Assy.	1	7	68-07	Frame Assy	1	68-78	Complete Wheel Kit Assy.	1	
3	68-03	Dry Cell Battery	1	8	YK 650 V	Yamakoyo Engine	1	68-79	Battery Cables Kit	1	
4	68-04	Stand Leveler Kit	2	9	68-09	Air Filter Kit Assy	1	68-80	Genset Shock Absorber Kit	4	
5	68-05	Tire Assy	2		68-76	Choke Lever	1				

Technical Support:

1-866-852-6872

www.kbnusa.com

©Yamakoyo Machinery Co., Ltd.



SH 3500 DXE

No.	P/N	Description	Qty	No.	P/N	Description	Qty	No.	P/N	Description	Qty
Air Cleaner Assembly				Air Cleaner Assembly				Fuel Tank Assy			
12	68-12	Air Cleaner Cover Clip Kit	2	17	68-17	Nut	4	21	68-121	Fuel Gauge Kit	1
13	68-13	Element Air Cleaner	1	18	68-18	Air Cleaner Cover	1	22	68-22	Fuel Tank Only	1
14	68-14	Gasket, Air Cleaner	1	Fuel Tank Assy				23	68-123	Fuel Shut Off Valve	1
15	68-15	Air Cleaner Back Cover	1	19	68-119	Fuel Cap Kit	1	24	68-24	Mounting Kit, Fuel Tank	1
16	68-16	Air Cleaner Housing	1	20	68-120	Fuel Strainer	1				

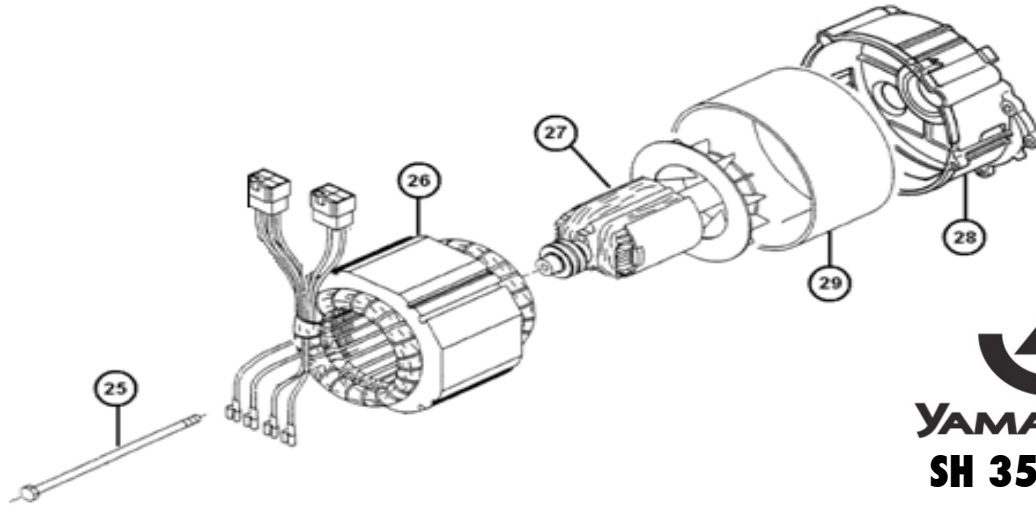
Technical Support:

1-866-852-6872

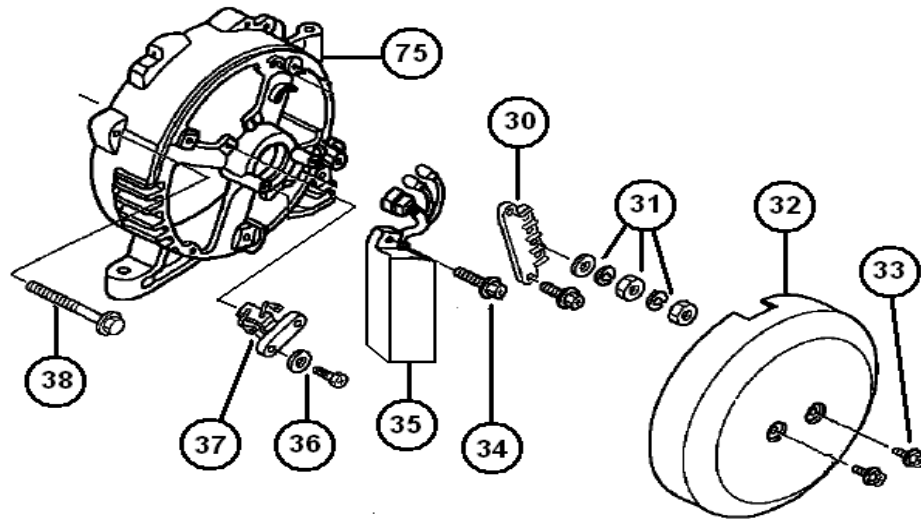
www.kbnusa.com

©Yamakoyo Machinery Co., Ltd.

SH 3500 DXE



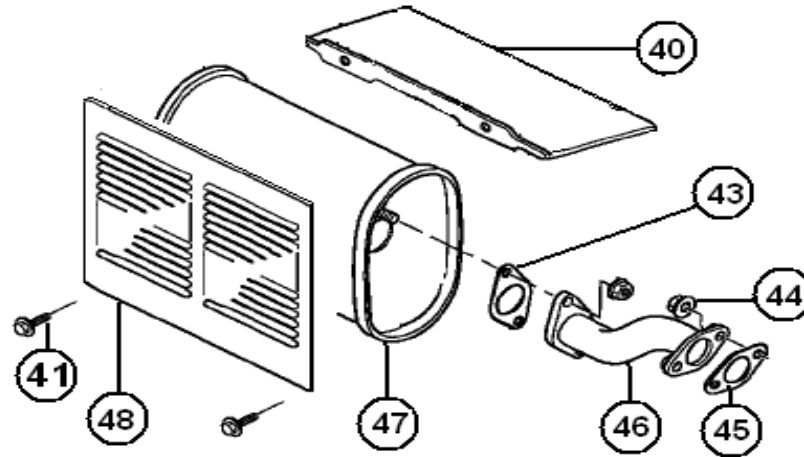
No.	P/N	Description	Qty
25	68-25	Center Bolt, Rotor	1
26	68-26	Stator Assy.	1
27	68-27	Rotor Assy.	1
28	68-28	Crank Case Cover Assy.	1
29	68-29	Cover, Stator	1



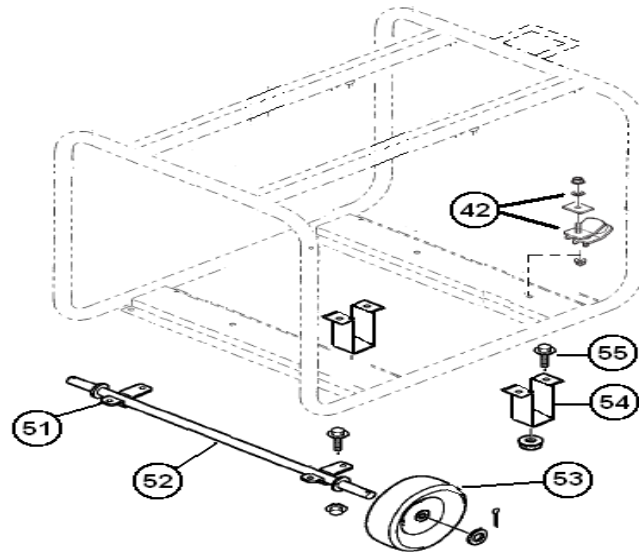
No.	P/N	Description	Qty
30	68-30	Terminal Block	1
31	68-31	Nut Kit, Terminal Block	1
32	68-32	Cover, Alternator	1
33	68-33	Cover Bolt	2
34	68-34	Bolts	4
35	68-35	AVR Assy.	1
36	68-36	Bolt Kit, Brush	1
37	68-37	Carbon Brush Assy.	1
38	68-38	Bolt, Mounting	4
75	68-75	End Case, Rotor	1

Technical Support:
1-866-852-6872
www.kbnusa.com
©Yamakoyo Machinery Co., Ltd.

SH 3500 DXE

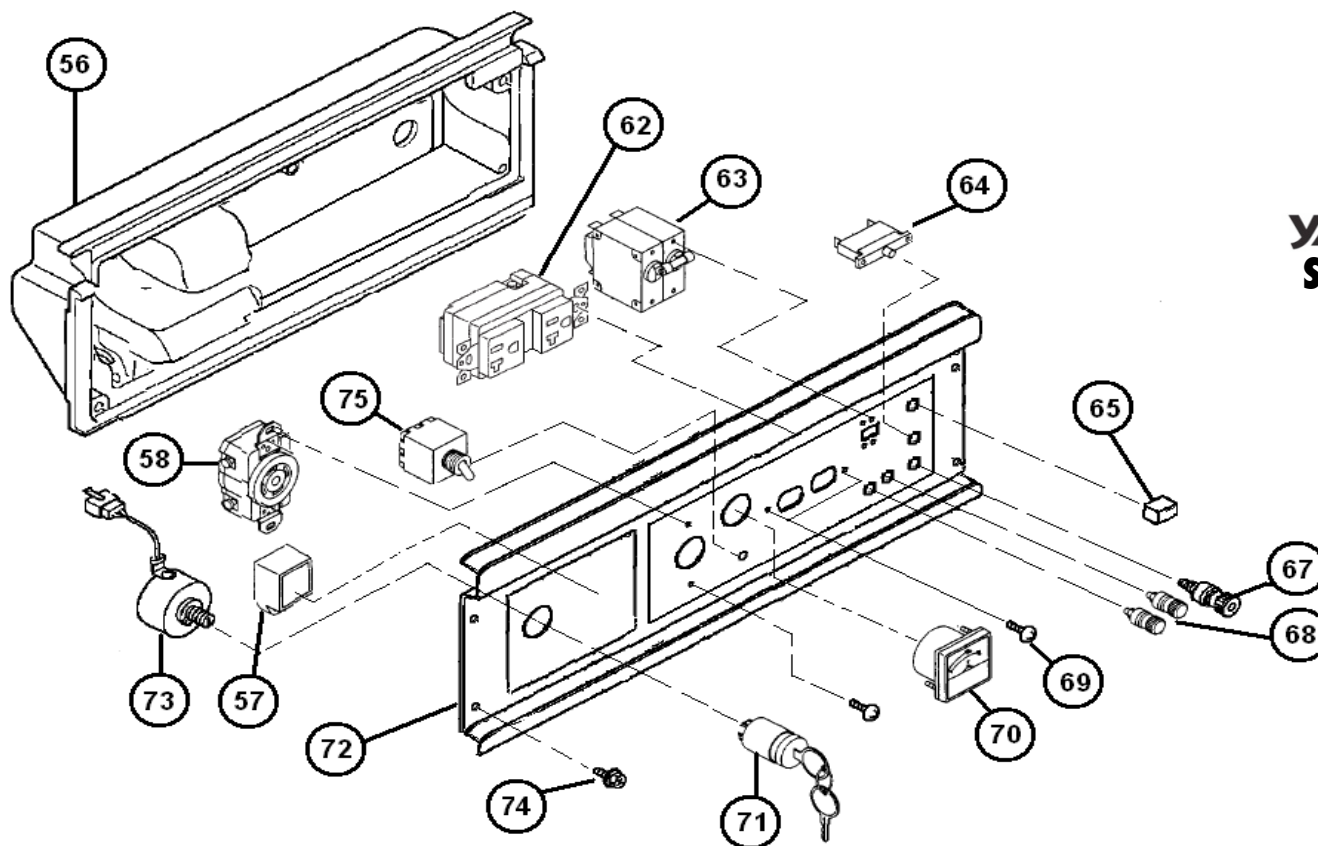


No.	P/N	Description	Qty
40	68-40	Muffler Top Cover	1
41	68-41	Nut	6
43	68-43	Gasket, Muffler	1
44	68-44	Nut	4
45	68-45	Gasket, Muffler Side	1
46	68-46	Pipe, Exhaust	1
47	68-47	Muffler, Component	1
48	68-48	Cover, Muffler Outer	1



No.	P/N	Description	Qty
42	68-247	Genset Shock Absorber Kit	4
52	68-52	Axle	1
53	68-53	Wheel	2
54	68-54	Stand Leveler	1
55	68-55	Kit, Wheel Kit Hardware	1

Technical Support:
1-866-852-6872
www.kbnusa.com
 ©Yamakoyo Machinery Co., Ltd.



SH 3500 DXE

No.	P/N	Description	Qty	No.	P/N	Description	Qty	No.	P/N	Description	Qty
56	68-56	Back Cover, Panel	1	65	68-165	Indicator Light	1	72	68-72	Face Plate	1
57	68-57	Diode Assy	1	67	68-167	Grounding Pole	1	73	68-73	Ignition Key Switch	1
58	68-158	Receptacle, 120/240 V	1	68	68-168	DC Pole Red & Black	1	74	68-74	Mounting Bolt	4
62	68-62	Receptacle, 120 V	2	69	68-69	Screw	12	75	68-75	Toggle Switch	1
63	68-63	Main Circuit Breaker	1	70	68-170	Voltmeter	1		68-59	Main Harness Assy	1
64	68-166	DC Circuit Breaker	1	71	68-171	Key	1				

Technical Support:

1-866-852-6872

www.kbnusa.com

©Yamakoyo Machinery Co., Ltd.