



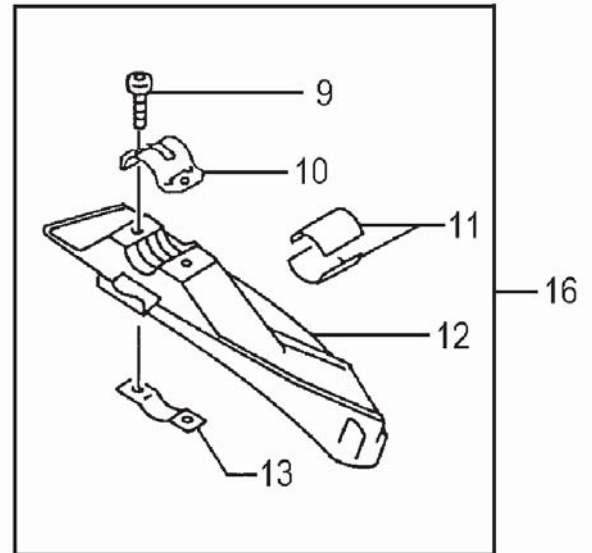
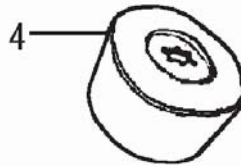
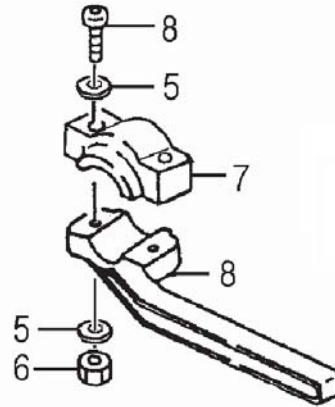
# PARTS INFORMATION

# 748503

## BLADE KIT



**Single Shoulder Strap**  
Model#: 746191



**WARNING!** Read the owners manual and follow all warnings and safety instructions. Failure to do so can result in serious injury to the operator and/or bystanders. Never attempt to mount a steel blade to a machine that is not specifically designed for that purpose. Never attempt to mount a steel blade without using all components of the blade attachment kit, including shoulder strap and barrier safety bar.

ITEM	PART NUMBER	DESCRIPTION	QTY	COMMENTS	
4	3113844020	CAP,CUTTER HOLDER	1	Kit used on TBC-225, 230, 245PF, 2500, TBC-225S, TBC-255PF	
5	99201060061	WASHER,6	4		
6	99101060041	NUT,6	2		
7	5063730020	BRACKET,HANDLE,A	1		
8	5203727720	BARRIER BAR 24MM	1		
9	99053060403	BOLT,HEX,6X40	2		
10	4423369921	BRACKET,SAFETY GUARD	1		
11	44437609200	SPACER,BRACKET	2		
12	4413738020	GUARD,SAFETY	1		
13	4453738020	HOLDER,GUARD	1		
14	3133754720	NUT,FIXING L.H. 8X1.25	1		
15	3273718090	PIN,COTTER 2X20 (10 PACK)	1		
16	30060	KIT,BLADE GUARD	1		
18	746191	STRAP,SHOULDER,PSS-175	1		
					Includes mounting bracket/hardware