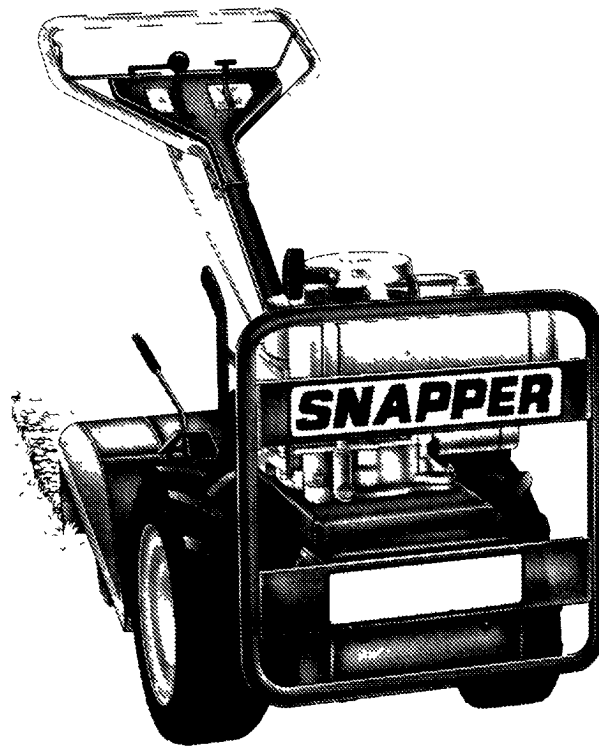


Parts Manual for

SNAPPER[®]

SERIES 0, 1 REAR TINE TILLERS



IT IS THE POLICY OF SNAPPER TO IMPROVE ITS PRODUCTS WHENEVER IT IS POSSIBLE AND PRACTICAL TO DO SO. WE RESERVE THE RIGHT TO MAKE CHANGES OR ADD IMPROVEMENTS AT ANY TIME WITHOUT INCURRING ANY OBLIGATION TO MAKE SUCH CHANGES ON PRODUCTS MANUFACTURED PREVIOUSLY.

NOTE: The Series number is the last numeral in the model number.

SNAPPER[®] McDonough, GA., 30253 U.S.A.

COPYRIGHT © 1998
SNAPPER INC.
ALL RIGHTS RESERVED

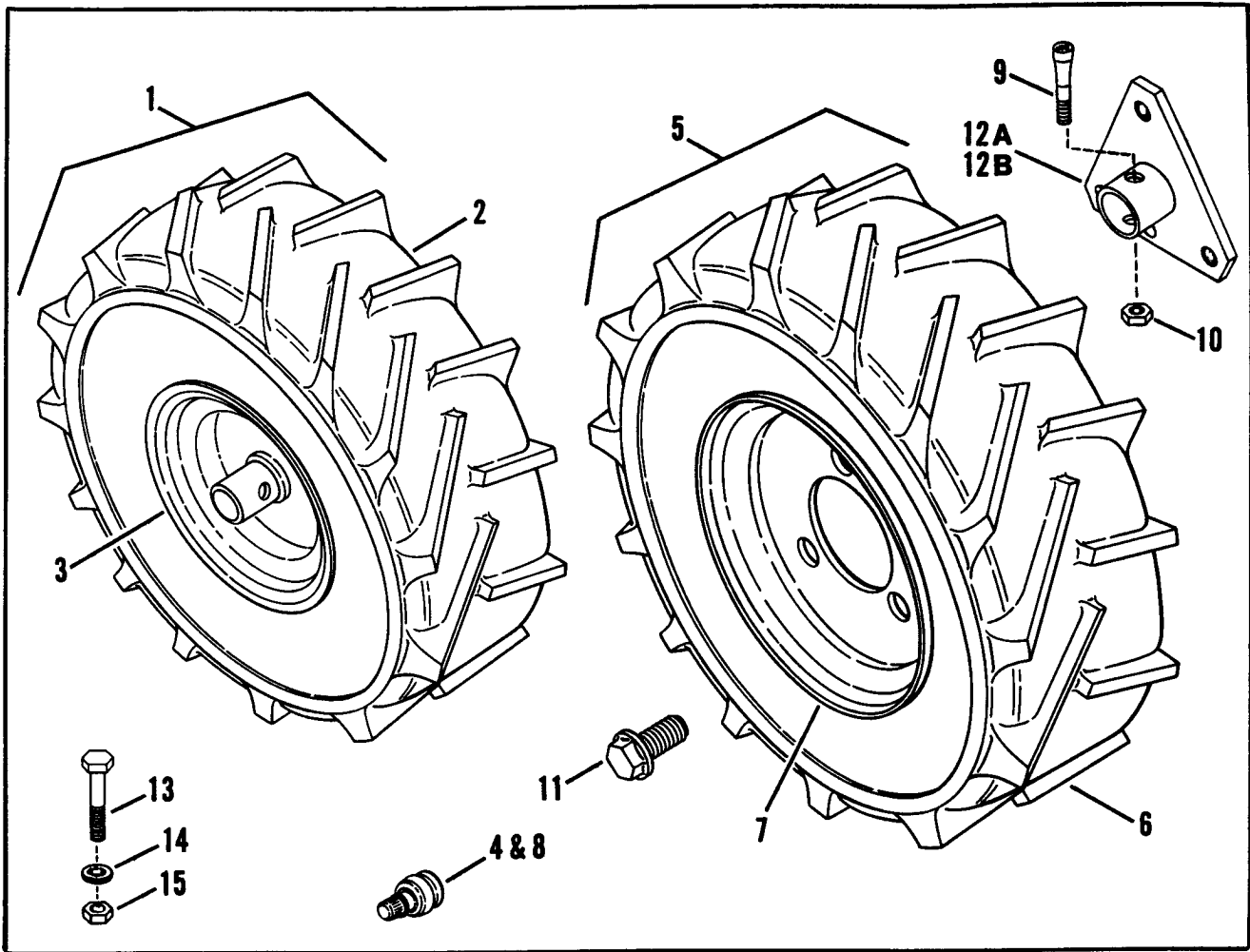
PRINTED IN U.S.A.

3/98

MANUAL No. 06023

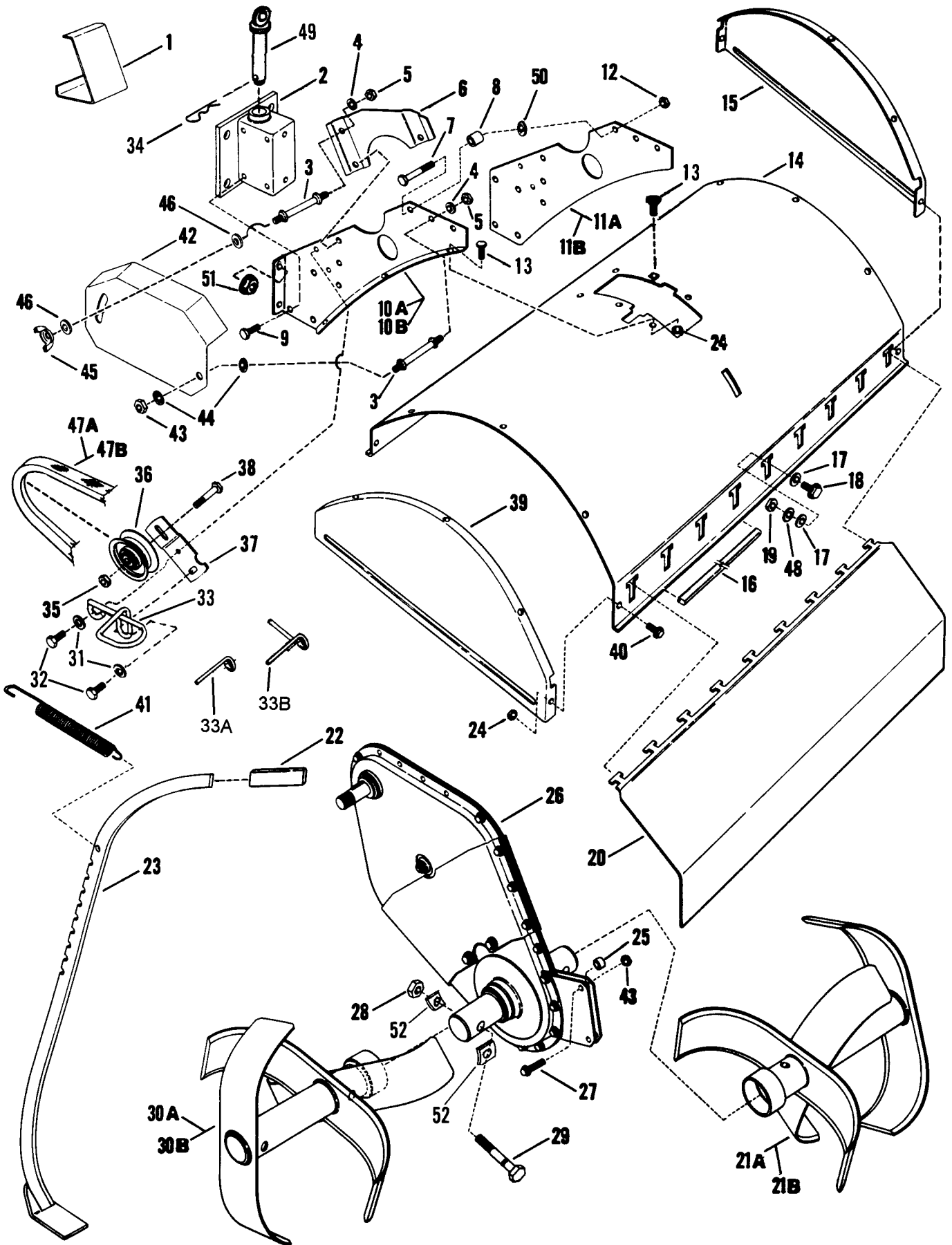
INDEX- REAR TINE TILLER PARTS

MAIN COMPONENT(S)	PAGE(S)
Wheels, Tires, Rims	3
Tiller Head, Tines, Panels, Belt.....	4-5
Main Chain Case Components.....	6-7
Frames, Traction Drive, Stand-up Bar.....	8-9
Gear Drive Components (Left Frame)	10-11
Primary Chain Case, Driven Disc.....	12
Idler Bracket Component Breakdown	13
Shift Quadrant Assembly Breakdown	14
Engines, Drive Plate, Pulley & Belt Components	15
Handle & Controls for 5HP	16-17
Handles & Controls for 8HP	18-19
Decals	20
Garden Tool Accessories.....	21
Electrical System	22



ITEM	PART NO.	DESCRIPTION
1	1-8579	ASSEMBLY, Right Wheel- 5HP (Incl. Items 2,3 & 4)
-	1-8580	ASSEMBLY, Left Wheel- 5HP (Incl. Items 2,3 & 4)
2	1-4511	TIRE, 13x5.00-6 (Lug)
3	1-4512	RIM
4	1-2234	VALVE, Air (Snap-in)
5	5-9646	ASSEMBLY, Left Wheel- 8HP (Incl. Items 6,7 & 8)
-	5-0730	ASSEMBLY, Right Wheel- 8HP (Incl. Items 6,7 & 8)
6	1-2256	TIRE, 16x4.80-8 (Lug)
7	1-2162	RIM
8	1-2234	VALVE, Air (Snap-in)
9	1-1035	BOLT, 5/16-24 Tapered (8HP)
10	1-1201	NUT, 5/16-24 Hex Lock, Grade C (8HP)
11	9-0367	SCREW, 1/2-20 x 3/4" Hex Head Cap, Grade 2 (8HP)
12A	4-0434	HUB, Wheel Structure (RT8 & RT8S)
12B	4-0484	HUB, Wheel Structure (R8000)
13	9-0359	SCREW, 5/16-24 x 1-5/8" Hex Head Cap, Grade 5 (5HP)
14	9-0391	WASHER, 5/16 Internal Tooth Lock (5HP)
15	9-0223	NUT, 5/16-24 Hex

TILLER HEAD COMPONENTS

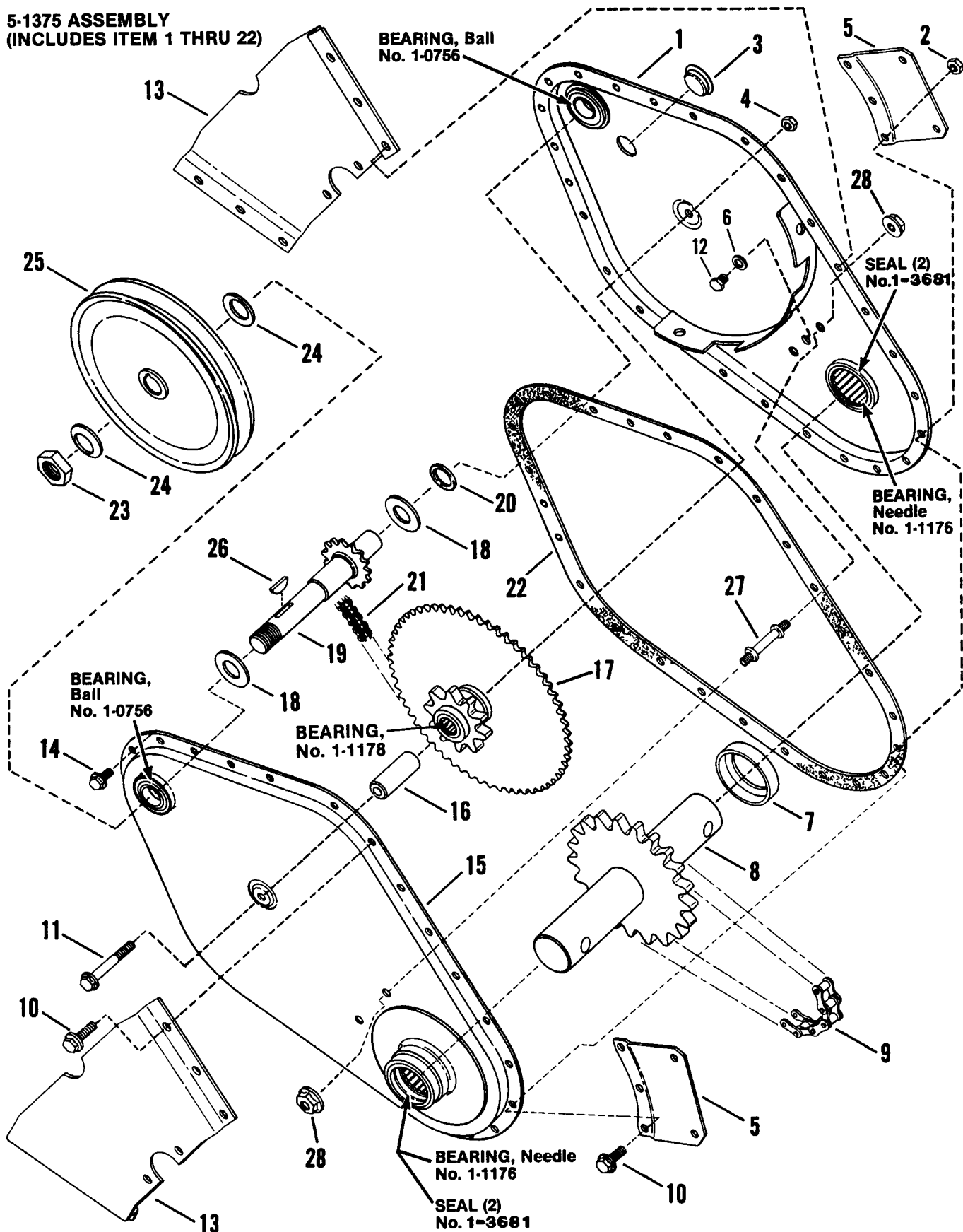


TILLER HEAD COMPONENTS

ITEM	PART NO.	DESCRIPTION
1	3-2263	SPACER, (Used on 5HP Only)
2	4-7866	BRACKET, Mounting (Used on 8HP Only)
3	1-4381	STUD
4	9-0187	WASHER, 5/16 Split Lock
5	9-0196	NUT, 5/16-18 Hex
6	3-8068	SHIELD
7	9-0358	SCREW, 5/16-24 x 2-1/2" Hex Head Cap, Grade 8
8	1-4334	SPACER
9	9-0506	SCREW, 3/8-16 x 1/2" Hex Washer Self-Tap
10A	3-6058	BRACKET, Mounting L.H. (8HP)
10B	3-6033	BRACKET, Mounting L.H. (5HP)
11A	3-6057	BRACKET, Mounting R.H. (8HP)
11B	3-6034	BRACKET, Mounting R.H. (5HP)
12	1-1201	NUT, 5/16-24 Hex Lock, Grade C
13	9-0799	BOLT, 5/16-18 x 5/8" Short Neck Carriage, Grade 5
14	3-5060	COVER, Tine (was 3-5011)
15	3-5063	PLATE, Right Side (was 3-5012)
16	1-4422	MOLDING, Trim
17	9-0122	WASHER, 3/8" SAE Flat
18	9-0134	SCREW, 3/8-16 x 3/4" Hex Head Cap, Grade 5
19	9-0130	NUT, 3/8-16 Hex
20	3-6036	GUARD, Splash
21A	4-9938	TINE STRUCTURE, R.H. (8HP)
21B	4-9940	TINE STRUCTURE, R.H. (5HP)
22	1-3633	GRIP, Depth Bar
23	4-7808	DEPTH BAR STRUCTURE
24	9-0585	NUT, 5/16-18 Hex Flange lock
25	2-1866	SPACER (was 1-2625)
26	5-1375	ASSEMBLY, Chain Case (see pages 6 & 7 for breakdown)
27	9-0209	SCREW, 5/16-18 x 1" Hex Head Cap, Grade 2
28	9-0289	NUT, 3/8-24 Hex Center Lock
29	1-4586	BOLT, 3/8-24 x 2-1/4" Shear
30A	4-9939	TINE STRUCTURE, L.H. (8HP)
30B	4-9941	TINE STRUCTURE, L.H. (5HP)
31	9-0188	WASHER, 5/16 SAE Flat (2)
32	9-0369	SCREW, 5/16-18 x 1" Hex Washer Self-Tap
33	1-4875	FINGER, Belt (33A was 1-3903; 33B was 4-0519)
34	1-1714	PIN, Hair
35	9-0222	NUT, 5/16-24 Hex Center Lock
36	1-4340	IDLER
37	3-2246	ARM, Idler
38	9-0861	BOLT, 5/16-18 x 1-3/4" Square Neck Carriage, Grade 5
39	3-5062	PLATE, L.H. (was 3-5013)
40	9-0731	BOLT, 5/16-18 x 1/2" Short Neck Carriage, Grade 5 (was 9-0721, 9-0799)
41	1-4668	SPRING
42	4-7856	COVER, Belt
43	9-0184	NUT, 5/16-18 Hex Center Lock
44	1-4980	WASHER, Seal (was 1-2102)
45	9-0375	NUT, 5/16-18 Wing Lock
46	9-0188	WASHER, 5/16 SAE Flat
47A	1-4353	V-BELT, 8HP & 5HP '84 Model
47B	1-4686	V-BELT, 5HP '82 & '83 Model
48	9-0118	WASHER, 3/8 Split Lock
49	4-0490	PIN, Clevis
50	1-1791	RETAINER, 5/16" Bolt
51	9-0613	NUT, 3/8-16 Hex Flange Lock (5HP only)
52	3-2343	WASHER, Curved (now welded to Tine)

MAIN CHAIN CASE

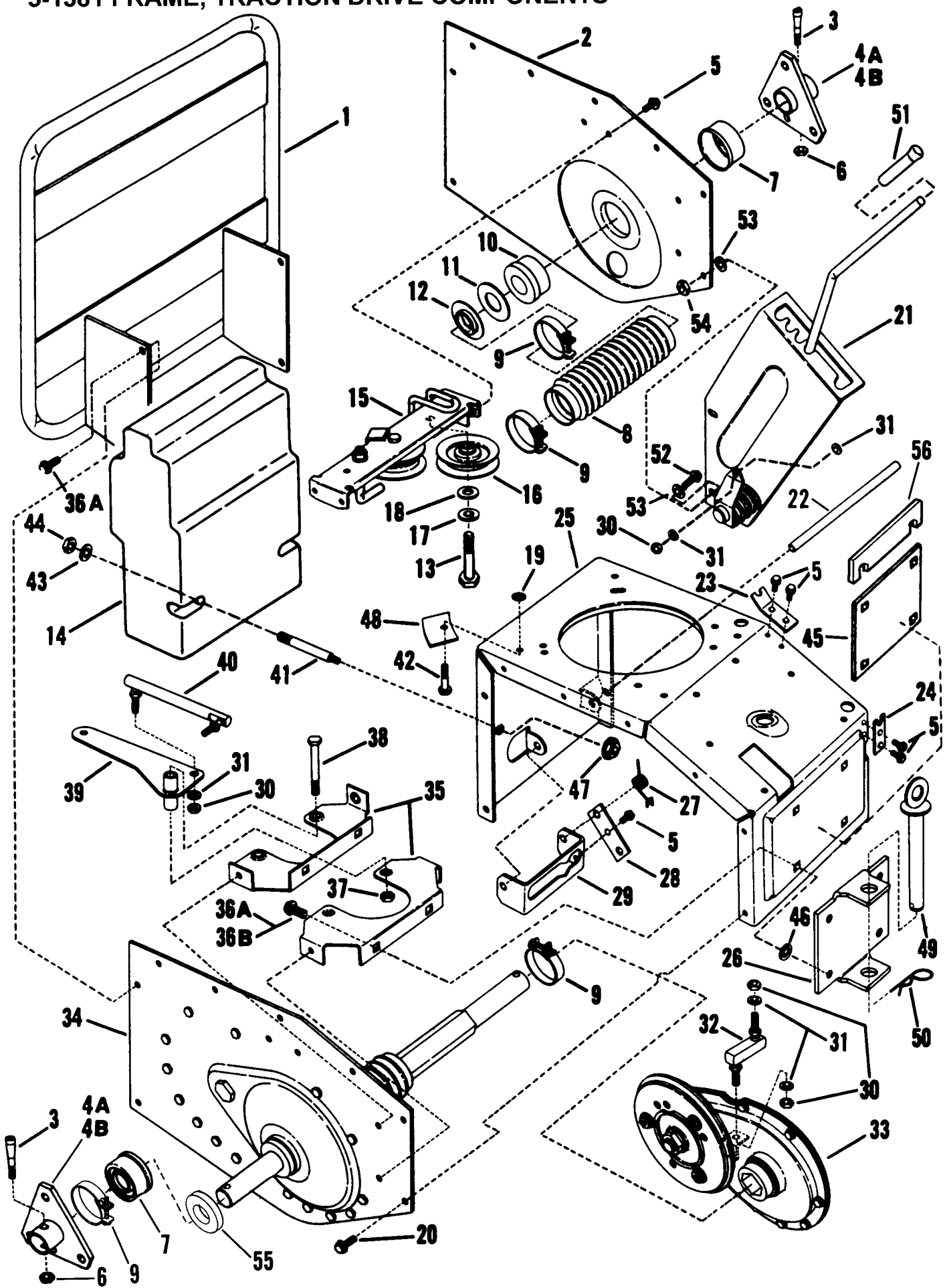
5-1375 ASSEMBLY
(INCLUDES ITEM 1 THRU 22)



MAIN CHAIN CASE

ITEM	PART NO.	DESCRIPTION
1	5-1408	ASSEMBLY, Case R.H. (Includes indented items below)
--	4-9714	CASE, R.H. (Replaces 4-9708)
--	1-0756	BEARING, Ball
--	1-1176	BEARING, Needle
--	1-3681	SEAL (2)
2	9-0184	NUT, 5/16-18 Hex Center Lock (9)
3	1-1024	PLUG (2)
4	1-1201	NUT, 5/16-24 Hex Lock (3)
5	3-2248	RETAINER, Depth Bar (2)
6	1-4980	WASHER, Seal (9) (was 1-2102)
7	1-1181	SPACER
8	4-0364	SHAFT, Tine Rotor
9	1-4313	CHAIN, Drive- #50
10	9-0206	SCREW, 5/16-18 x 3/4" Hex Head Cap, Grade 2 (9)
11	9-0838	SCREW, 5/16-24 x 2-1/4" Hex Head Cap, Grade 5
12	9-0554	SCREW, 5/16-18 x 3/8" Hex Washer Self-Tap
13	3-8090	PLATE, Wear Guard (2)
14	9-0858	SCREW, 5/16-18 x 1/2" Hex Washer Self-Tap (9)
15	5-1363	ASSEMBLY, Case L.H. (Includes indented items below)
--	4-9701	CASE, L.H.
--	1-0756	BEARING, Ball
--	1-1176	BEARING, Needle
--	1-3681	SEAL (2)
16	2-1752	RACE, Sprocket Bearing
17	5-0724	SPROCKET, Intermediate (Includes indented items below)
--	4-0437	SPROCKET
--	1-1178	BEARING, Roller (2) (Press fitted flush)
18	1-0690	WASHER, Shim (2)
19	1-8556	SHAFT, Drive
20	1-4508	O-RING, 5/8" I.D. x 1/16"
21	1-4312	CHAIN, Drive- #35
22	1-9716	GASKET, Case Housing
23	9-0356	NUT, 5/8-18 Hex Jam Center Lock
24	1-1121	WASHER, Cone (2)
25	1-4311	PULLEY, 6" O.D.
26	1-0211	KEY, 3/16" x 3/4" Woodruff (#9)
27	1-4677	STUD, Spacer (2)
28	9-0585	NUT, 5/16-18 Hex Flange Lock (4) (was 1-2625)

5-1381 FRAME, TRACTION DRIVE COMPONENTS



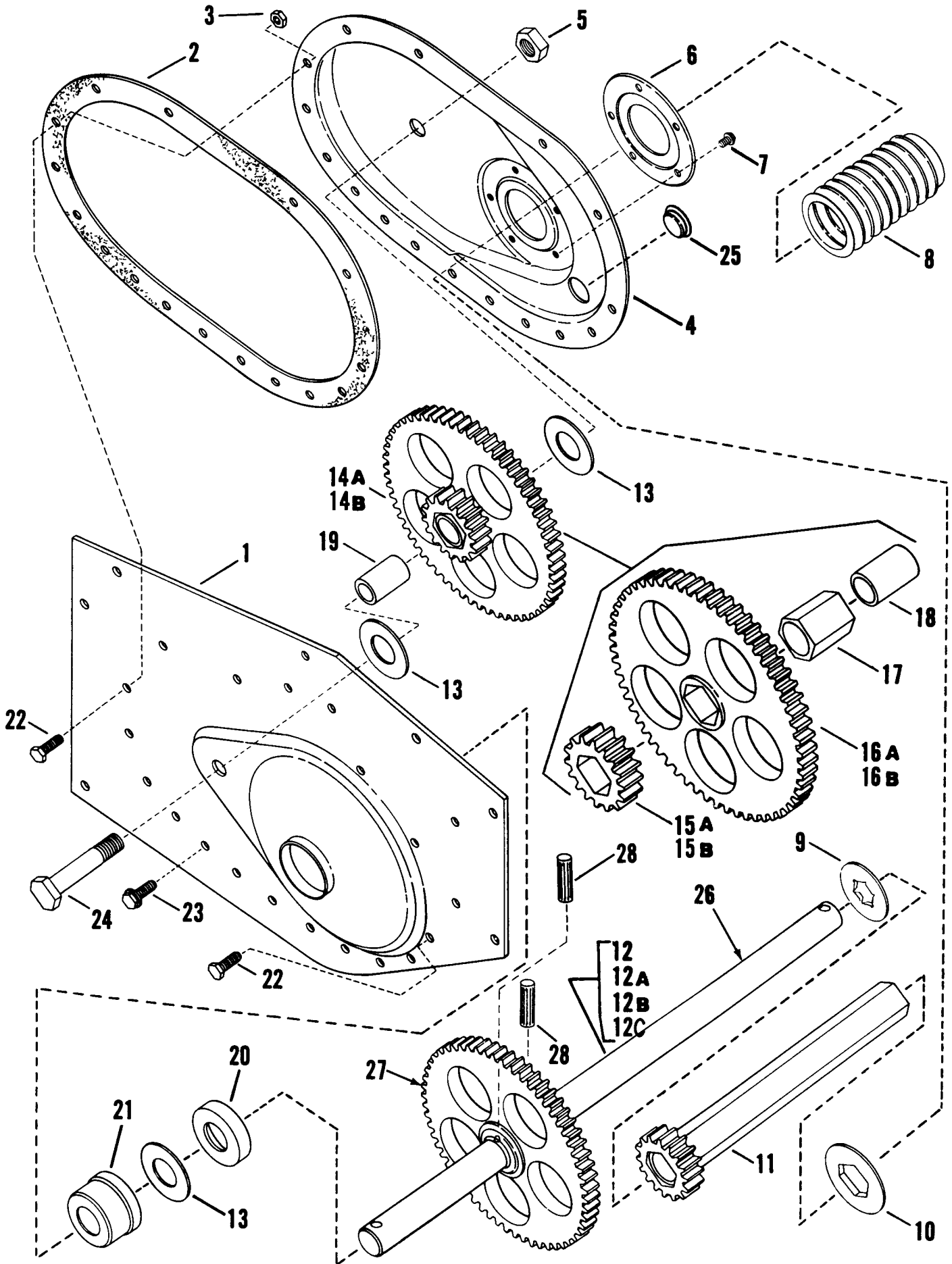
5-1381 FRAME, TRACTION DRIVE COMPONENTS

ITEM	PART NO.	DESCRIPTION
1	4-9705	BAR, Stand Up
2	3-5020	FRAME, R.H. Side
3	1-1035	BOLT, Tapered (used only on 8HP)
4A	4-0434	HUB, Wheel (RT8, RT8S)
4B	4-0484	HUB, Wheel (R8000 only)
5	9-0302	SCREW, 1/4-20 x 3/8" Hex Washer Self-Tap (9)
6	1-1201	NUT, 5/16-24 Hex Lock
7	1-5238	CAP, Dust (was 1-0967)
8	1-8570	SEAL, Long
9	1-1037	CLAMP
10	1-0989	BEARING, Axle
11	1-1071	WASHER, Thrust Nylon
12	1-4673	WASHER, Thrust
13	9-0655	SCREW, 3/8-16 x 1-1/2" Hex Head Cap, Grade 5
14	1-9739	WEIGHT (approximately 60 pounds) (see note 1 below)
15	5-7376	ASSEMBLY, Idler Bracket (see page 13 for breakdown) (was 5-7351)
16	1-4208	IDLER, V-Belt
17	9-0118	WASHER, 3/8" Split Lock
18	9-0122	WASHER, 3/8" SAE Flat
19	1-1791	RETAINER, 5/16" Bolt
20	9-0858	SCREW, 5/16-18 x 1/2" Hex Washer Self-Tap (16)
21	5-7354	ASSEMBLY, Shift Quadrant (see page 14 for breakdown)
22	2-1873	ROD
23	3-2274	CLIP, Cable
24	3-2273	CLIP, Control
25	3-5019	FRAME
26	3-8065	CLEVIS (used only on 8HP)
27	1-4371	SPRING
28	3-2261	LEVER
29	3-8050	YOKE, Clutch
30	9-0223	NUT, 5/16-24 Hex
31	9-0187	WASHER, 5/16" Split Lock
32	1-4337	LINK, Short Shift
33	5-1379	ASSEMBLY, Primary Chain Case (see page 12 for breakdown)
34	5-9670	ASSEMBLY, Drive L.H. Frame (see pages 10 & 11) (see note 2)
35A	3-8101	BRACE
35B	3-8212	BRACE
36A	9-0324	SCREW, 3/8-16 x 1" Self-Tap (4HP & 8HP) (was 9-0815)
36B	9-0747	BOLT, 3/8-16 x 1" Square Neck Carriage (5HP) (was 9-0136)
37	9-0289	NUT, 3/8-24 Hex Center Lock
38A	9-0174	SCREW, 3/8-24 x 3" Hex Head Cap
38B	1-5159	BOLT, 5/16-24 x 2-5/8 Shoulder
39	4-0517	BELLCRANK, Shift (was 4-0468)
40	1-4346	LINK, Shift
41	1-4979	STUD, Weight (was 1-4392)
42	9-0242	SCREW, 5/16-24 x 1-1/2" Hex Head Cap, Grade 2
43	9-0500	WASHER, 7/16" SAE Flat
44	9-0839	NUT, 7/16-14 Hex Center Lock, Grade A
45	3-2428	SPACER, Tiller Head (5HP)
46	1-3847	RETAINER, 3/8" Bolt (5HP only) (4)
47	9-0585	NUT, 5/16-18 Hex Flange Lock (was 1-2625)
48	3-2314	WASHER, Engine (used on 5HP only)
49	4-0490	PIN, Clevis (Hitch) (8HP)
50	1-1714	PIN, Hair
51	1-0838	GRIP
52	9-0369	SCREW, 5/16-18 x 1" Hex Washer Self-Tap
53	9-0189	WASHER, 5/16" Internal/External Tooth Lock
54	9-0184	NUT, 5/16" Hex Center Lock
55	1-4662	SEAL
56	3-2471	SPACER, Tiller Head

NOTE 1: R5000 & R8000 Models used two weights which were the #1-9722 twenty pound and #1-9720 thirty pound weight.

NOTE 2: When 5-1377 Drive Assembly was used on R8000, two item 4B (#4-0484) hubs were required.

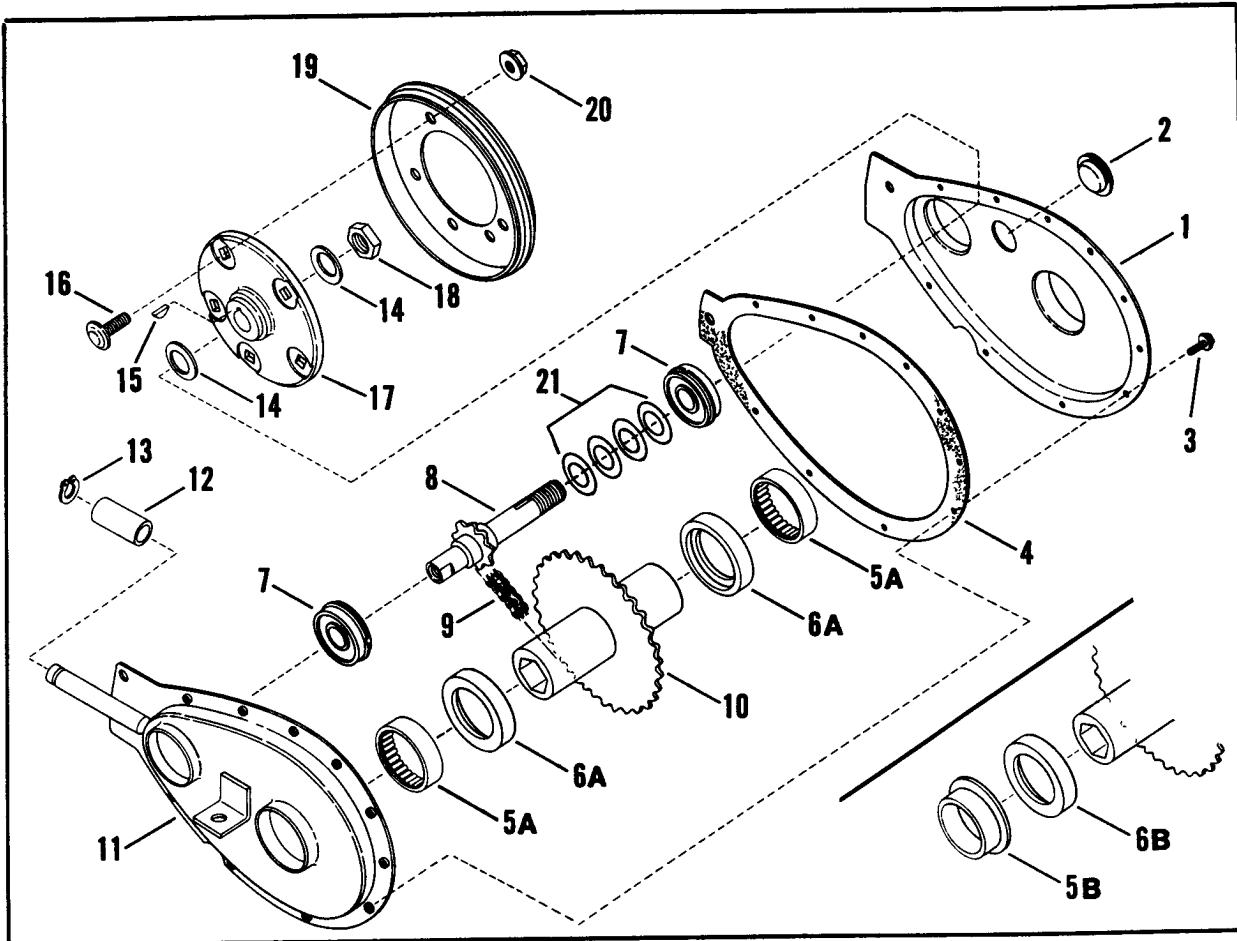
5-9670: LEFT FRAME COMPONENTS



5-9670: LEFT FRAME COMPONENTS

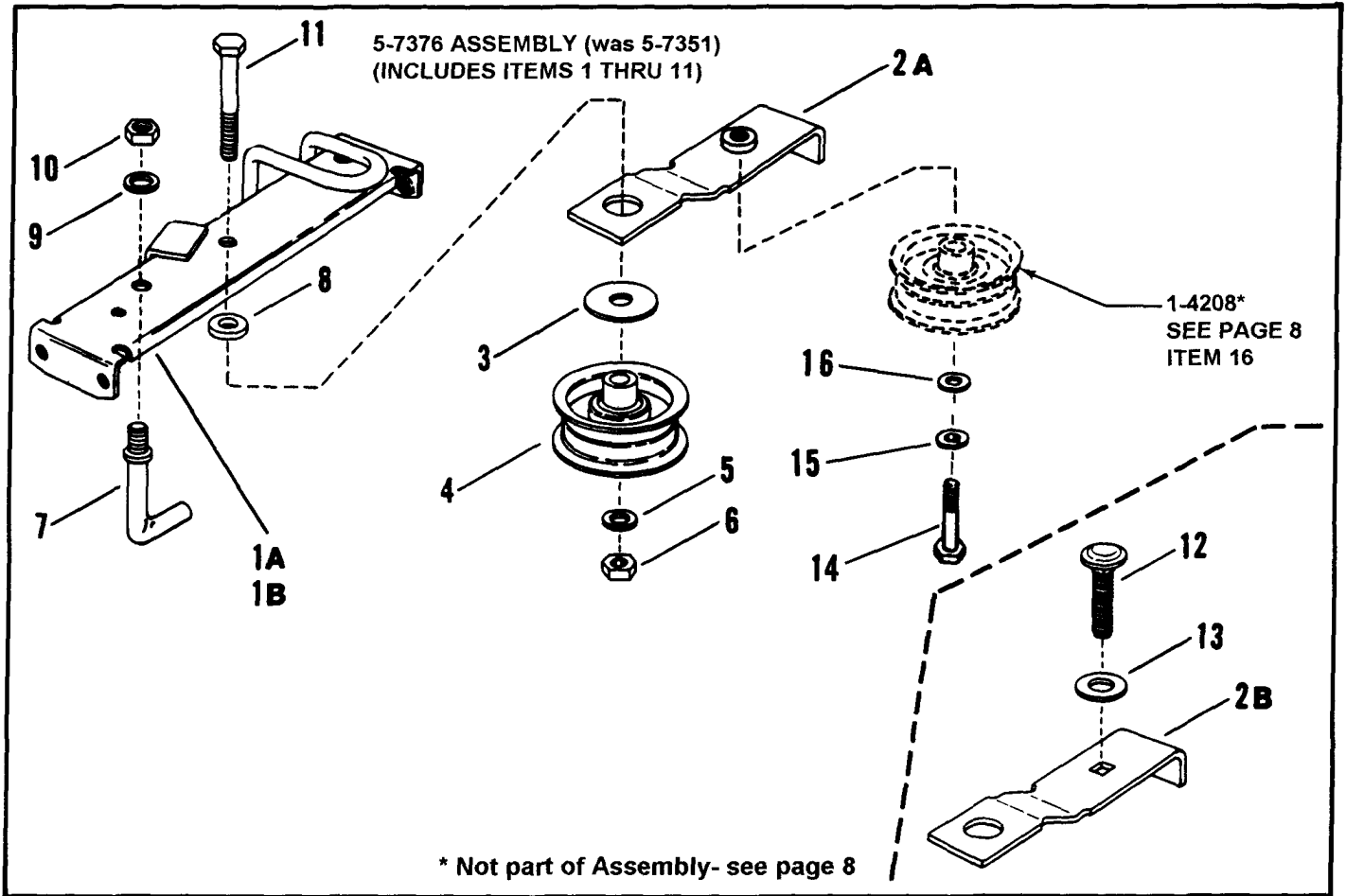
ITEM	PART NO.	DESCRIPTION
1	3-5021	FRAME, Left Side
2	1-8563	GASKET
3	9-0303	NUT, 1/4-28 Hex Top Lock
4	3-6038	COVER
5	9-0819	NUT, 1/2-20 Hex Jam Center Lock
6	3-2260	RETAINER, Boot
7	9-0822	SCREW, #10-32 x 1/4" Hex Washer (slotted) Self-Tap
8	1-8569	SEAL, Short
9	1-4673	WASHER, Thrust
10	1-0988	WASHER, Plastic
11	5-1365	ASSEMBLY, Tube Drive
--	5-1578	ASSEMBLY, Tube Drive (5-9670)
12	4-7852	WELDMENT, Axle (RT5, RT8, RT8S)
12A	5-1459	AXLE REPLACEMENT (R8000 Models) (includes 2 4-0434 hubs and 1 item 13)
12B	5-1458	AXLE REPLACEMENT (R5000 Models)
12C	5-7399	ASSEMBLY, Axle & Gear (RT5, RT8 & RT8S)
13	1-1071	WASHER, Thrust (3)
14A	5-1378	GEAR ASS'Y, Cluster (consists of items 15,16,17 & 18)
14B	5-7400	GEAR ASS'Y, Cluster (consists of items 15B & 16B)
15A	2-1868	GEAR, 16 Tooth/10 P Hex
15B	2-1967	GEAR, 15 Tooth/10 P Hex
16A	1-8564	GEAR, 63 Tooth
16B	1-8761	GEAR, 64 Tooth
17	2-1872	TUBE, Hex
18	1-4369	BEARING
19	2-1870	SHAFT
20	1-4331	SPACER
21	1-4330	BEARING, Axle
22	9-0099	SCREW, 1/4-28 x 1/2" Hex Head Cap, Grade 5
23	9-0539	SCREW, 1/4-20 x 1/2" Hex Washer Self-Tap
24	9-0821	SCREW, 1/2-20 x 1-7/8" Hex Head Cap, Grade 5
25	1-1024	PLUG
26	2-1968	SHAFT, Axle (5-9670)
27	1-9738	GEAR- 64 Tooth (5-9670)
28	1-0410	PIN, Groove (2) (5-9670)

PRIMARY CHAIN CASE



ITEM	PART NO.	DESCRIPTION
--	5-1379	CASE, Primary Chain (includes indented items below)
1	3-9779	COVER
2	1-1024	PLUG
3	9-0307	SCREW, #10-24 x 1/2" Hex Washer Self-Tap (7)
4	1-8059	GASKET
5A	1-0942	BEARING, Needle (2) (RT5, RT8, RT8S)
5B	1-3881	BUSHING (2) (R5000, R8000)
6A	1-1086	WASHER, Thrust (2) (RT5, RT8, RT8S)
6B	1-3882	WASHER, Thrust (2) (R5000, R8000)
7	1-0756	BEARING, Ball
8	1-0940	SPROCKET, Shaft
9	1-0941	CHAIN
10	4-0355	HUB, Sprocket
11	4-7811	CASE, Sprocket
12	2-0908	ROLLER
13	1-0776	RING, Retaining
14	1-1121	WASHER, Belleville
15	1-0614	KEY, 1/8 x 5/8" Woodruff
16	9-0731	BOLT, 5/16-18 x 1/2" Short Neck Carriage, Grade 5
17	2-0911	HUB
18	9-0356	NUT, 5/8-18 Hex Jam Center Lock
19	1-0765	DISC, Driven
20	9-0585	NUT, 5/16-18 Hex Flange Lock (was 1-2625)
21	1-0690	WASHER, Shim (4)

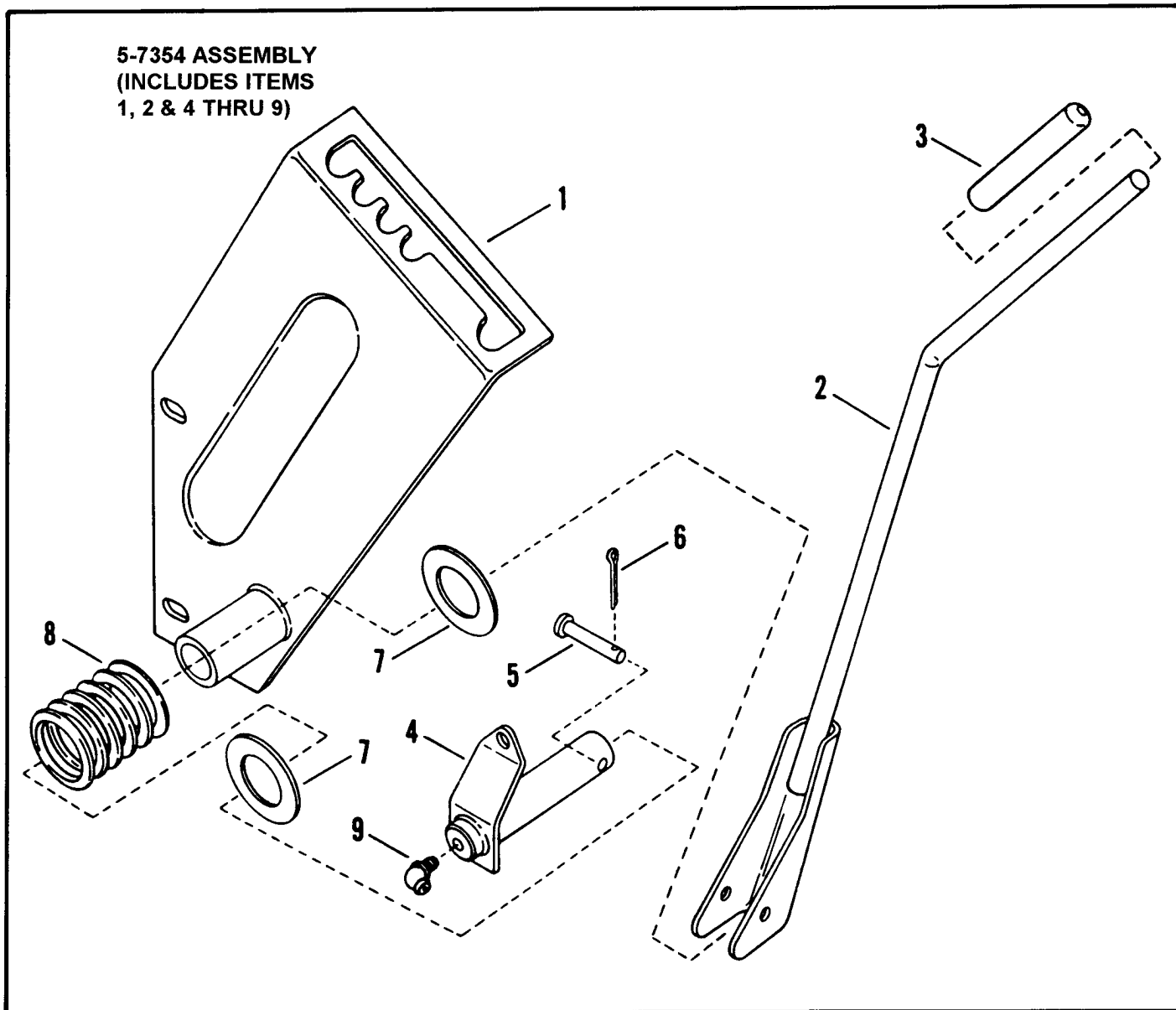
IDLER BRACKET ASSEMBLY



ITEM	PART NO.	DESCRIPTION
1A	4-7867	BRACKET, Idler (RT5, RT8, RT8S) (was 3-8134)
1B	3-8049	BRACKET, Idler (R5000, R8000- see note below)
2A	5-1464	ARM, Idler (RT5, RT8, RT8S)
2B	3-2262	ARM, Idler (R5000, R8000- see note below)
3	1-4666	WASHER, 11/32" Flat
4	1-4340	IDLER
5	9-0187	WASHER, 5/16 Split Lock
6	9-0223	NUT, 5/16-24 Hex
7	1-4454	GUIDE, Belt
8A	1-4206	SPACER (RT5, RT8, RT8S)
8B	1-3849	SPACER (R5000, R8000- see note below)
9	9-0118	WASHER, 3/8" Split Lock
10	9-0155	NUT, 3/8-24 Hex, Grade 2
11	9-0245	SCREW, 5/16-24 x 2" Hex Head Cap, Grade 2
12	9-0791	BOLT, 3/8-16 x 1-1/2" Short Neck Carriage, Grade 2 (R5000, R8000 only)
13	1-4296	WASHER, 1/2" Shim (R5000, R8000 only)
14	9-0655	SCREW, 3/8-16 x 1-1/2" Hex Head Cap, Grade 5
15	9-0118	WASHER, 3/8" Split Lock
16	9-0122	WASHER, 3/8" SAE Flat

NOTE: Replace items 1B, 2B and 8B on R5000 and R8000 with 5-7376 assembly.

SHIFT QUADRANT ASSEMBLY



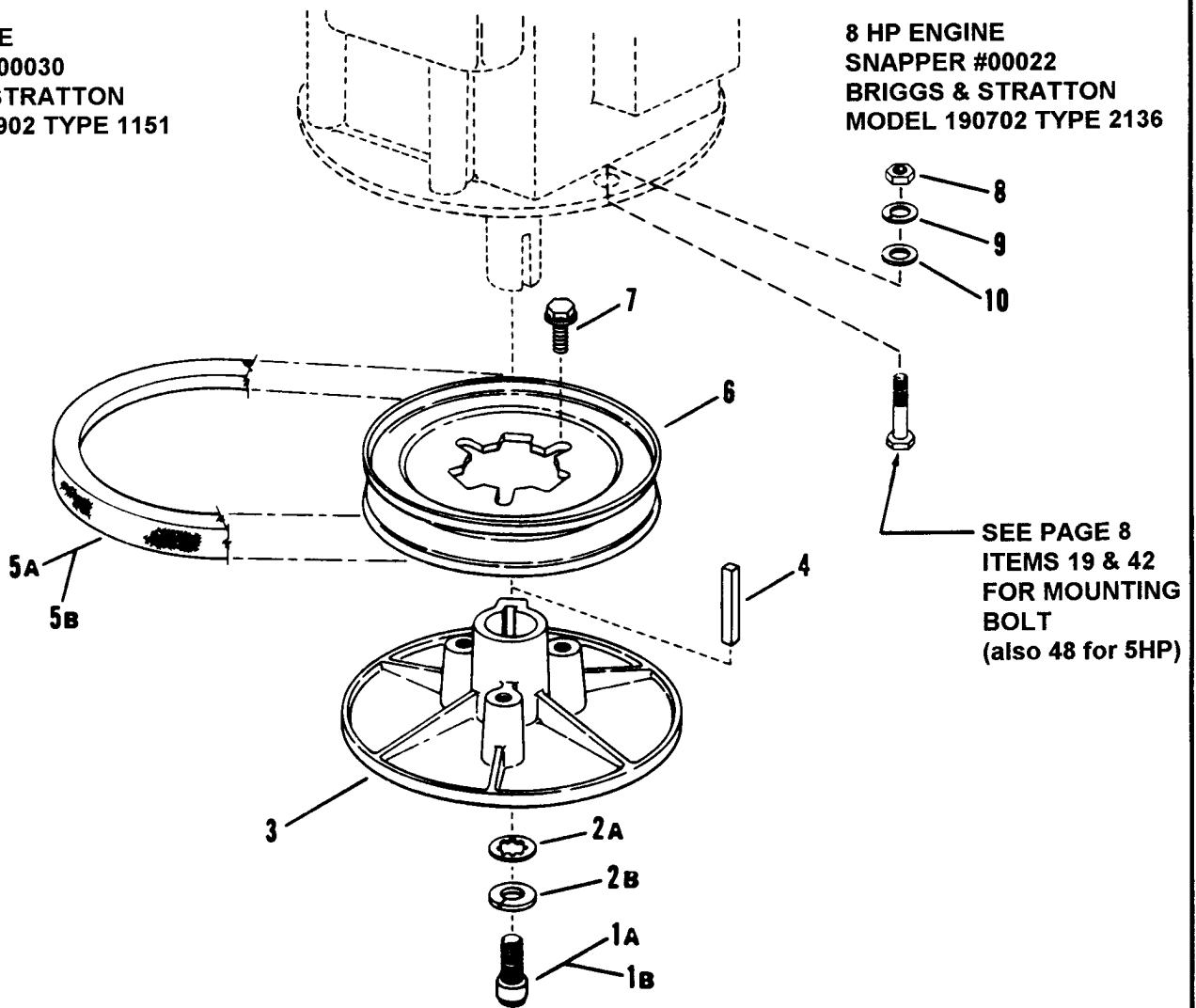
ITEM	PART NO.	DESCRIPTION
1	4-7853	WELDMENT, Shift Quadrant
2	4-0507	HANDLE, Shift
3	1-0838*	GRIP, Shift Handle
4	4-0508	WELDMENT, Structure (use #4-0487 on R5000 7 R8000)
5	1-1021	PIN, 1/4 x 1-1/4" Clevis
6	9-0037	PIN, 3/32 x 3/4" Cotter
7	3-1036	WASHER, Thrust
8	1-0754	SPRING, Tension
9	1-2758	FITTING, Grease

*Not part of assembly, order separately

ENGINE & DRIVE PARTS

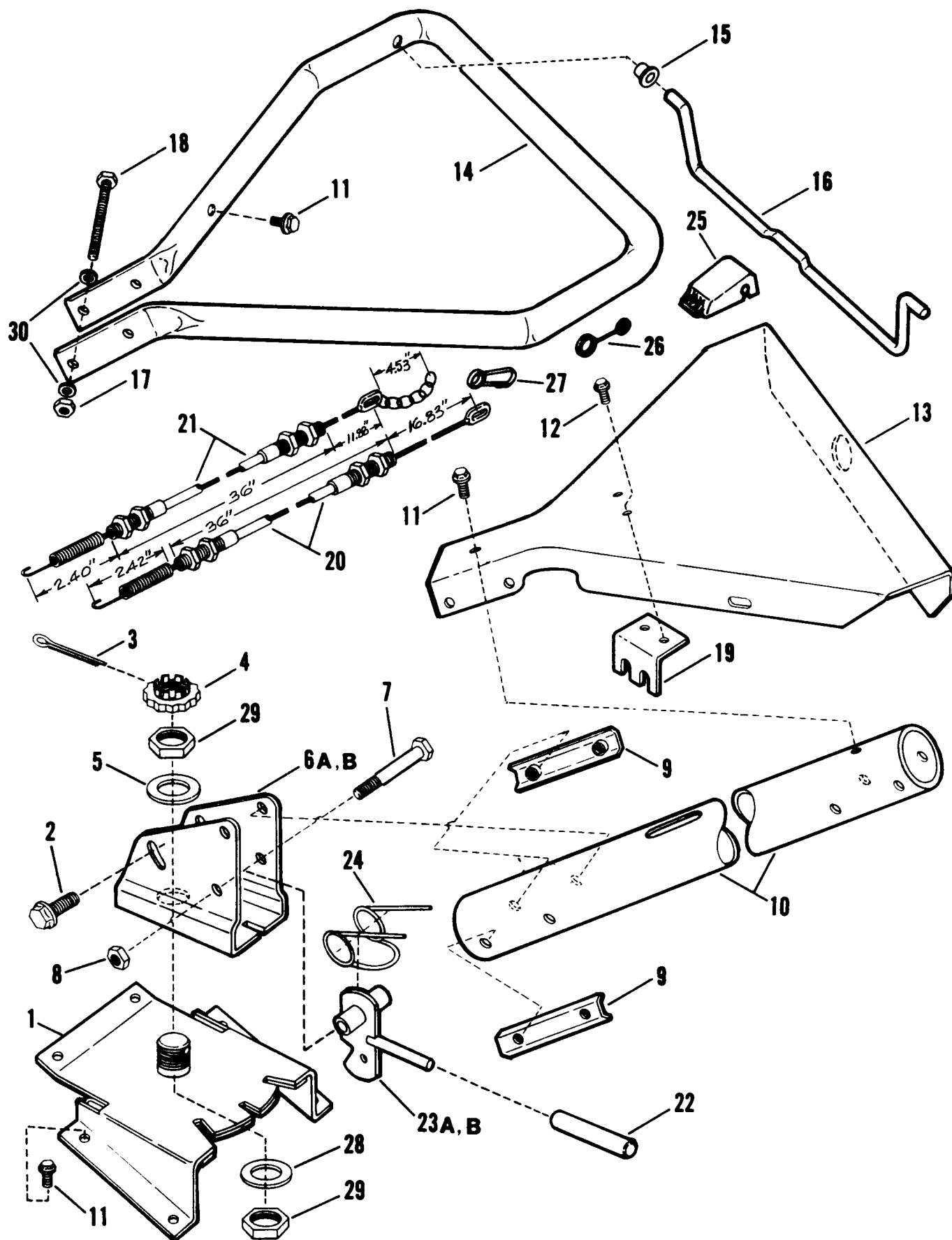
5 HP ENGINE
SNAPPER #00030
BRIGGS & STRATTON
MODEL 130902 TYPE 1151

8 HP ENGINE
SNAPPER #00022
BRIGGS & STRATTON
MODEL 190702 TYPE 2136



ITEM	PART NO.	DESCRIPTION
1A	9-0835	SCREW, 3/8-24 x 1" Allen Head Cap (5HP)
1B	9-0836	SCREW, 7/16-20 x 1" Allen Head Cap (8HP)
2A	9-0390	WASHER, 3/8" Internal Tooth Lock (5HP)
2B	9-0247	WASHER, 7/16" Split Lock (8HP)
3	1-8566	PLATE, Drive
4	1-0210	KEY, 1/4" Square x 2" (Spindle Pulley)
5A	1-4353	V-BELT (8HP) (5HP for 83-84) (use 9-0835 when 3-2428 spacer is used)
5B	1-4686	V-BELT (5HP) (prior to 83-84)
6	1-4738	PULLEY, Drive
7	9-0362	SCREW, 1/4-20 x 5/8" Hex Washer Self-Tap (3)
8	9-0223	NUT, 5/16-24 Hex
9	9-0187	WASHER, 5/16" Split Lock
10	9-0188	WASHER, 5/16" SAE Flat

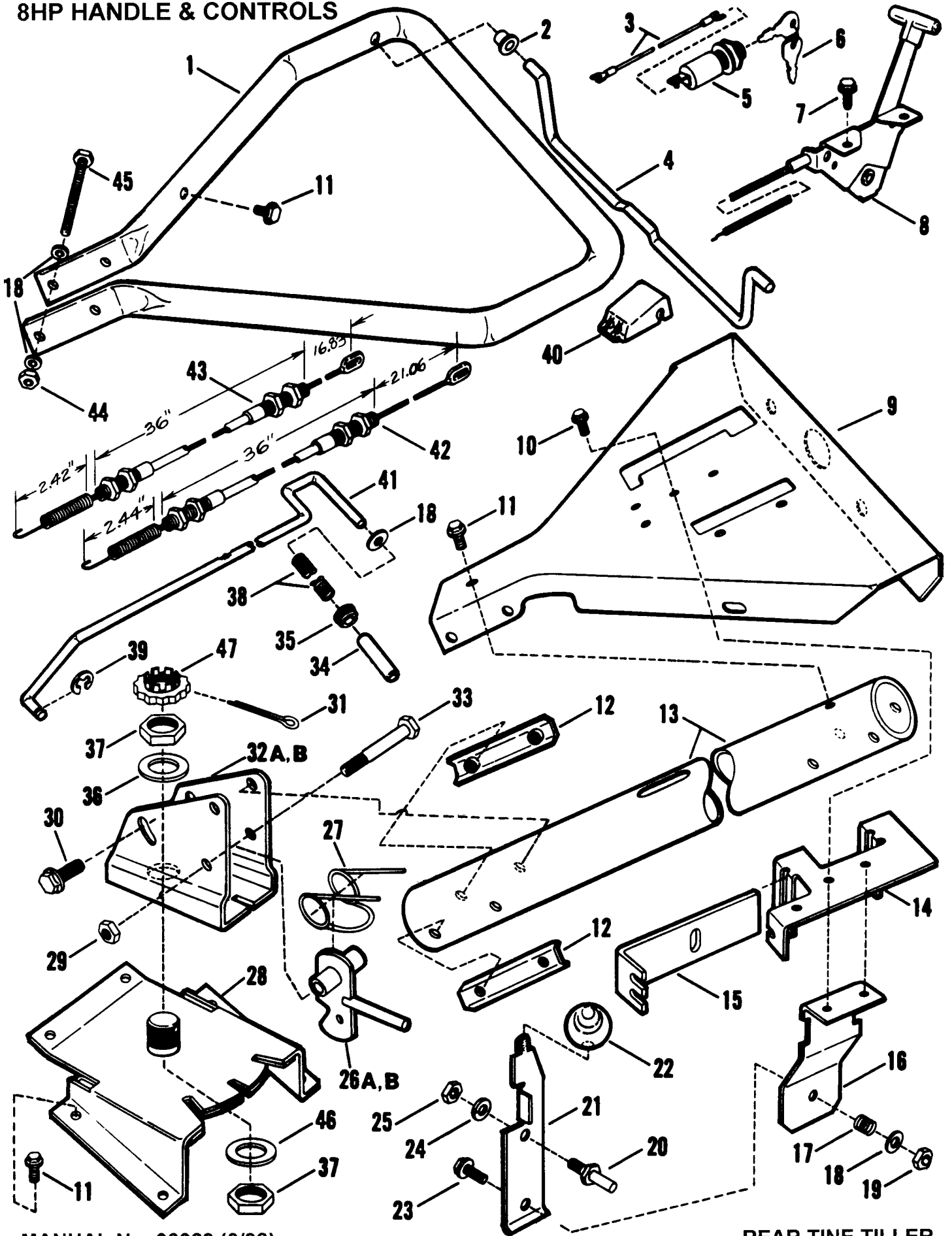
5HP HANDLE & CONTROLS



5HP HANDLE & CONTROLS

ITEM	PART NO.	DESCRIPTION
1	4-7854	BRACKET, Latch
2	9-0612	BOLT, 3/8-16 x 3/4" Hex Flange Lock
3	9-0654	PIN, 5/32 x 1-1/4" Cotter (RT5) (was 9-0042)
4	1-4840	RETAINER, Nut Locking (RT5)
5	9-0864	WASHER, 13/16" Flat
6A	3-6106	BRACKET, Handle (RT5)
6B	3-6059	BRACKET, Handle (R5000-use with item 23B)
7	9-0169	SCREW, 3/8-24 x 1/2" Hex Head Cap
8	9-0289	NUT, 3/8-24 Hex Center Lock
9	5-1462	PLATE, Tap
10	3-8066	TUBE, Handle Bar Support
11	9-0858	SCREW, 5/16-18 x 1/2" Hex Washer Self-Tap (9)
12	9-0539	SCREW, 1/4-20 x 1/2" Hex Washer Self-Tap (2)
13	3-6061	PANEL (5 HP)
14	3-5025	BAR, Handle
15	1-4681	BUSHING (2)
16	1-8577	BAIL
17	9-0184	NUT, 5/16-18 Hex Center Lock (2)
18	9-0553	SCREW, 5/16-18 x 3" Hex Head Cap, Grade 5 (2) (was 9-0831)
19	3-2284	BRACKET
20	1-8578	CABLE., Traction Control
21	5-7359	CABLE, Tine Control (ASSEMBLY INCLUDES Items 26 & 27)
22	1-0681	GRIP, Handle
23A	4-0509	LATCH (RT5)
23B	4-0489	LATCH (R5000-use with item 6B)
24	1-4380	SPRING
25	1-4682	CLIP, Cable
26	1-4719	LINK, Wire
27	1-4720	CLIP-Snap
28	1-0935	WASHER, 3/4" I.D. Flat
29	9-0820	NUT, 3/4-16 Hex Jam Lock
30	9-0188	WASHER, 5/16 SAE Flat

8HP HANDLE & CONTROLS



MANUAL No. 06023 (3/98)

REAR TINE TILLER

8HP HANDLE & CONTROLS

ITEM	PART NO.	DESCRIPTION
1	3-5025	BAR, Handle
2	1-4681	BUSHING (2)
3	1-4384	WIRE, Ground
4	1-8577	BAIL
--	5-1404	BAG, Hardware (Includes indented items below)
5	1-1853	SWITCH, Ignition (Manual Start 8HP) (See Page 22 for Electric Start)
6	1-1138	KEY, Switch (pair)
7	9-0302	SCREW, 1/4-20 x 3/8" Hex Washer Self-Tap (2)
8	1-4368	CONTROL, Throttle
9	3-6062	PANEL, 8 HP
10	9-0539	SCREW, 1/4-20 x 1/2" Hex Washer Self-Tap (3)
11	9-0858	SCREW, 5/16-18 x 1/2" Hex Washer Self-Tap (9)
12	5-1462	PLATE, Tap Nut
13	3-8066	TUBE, Handle Bar Support
14	3-2292	BRACKET, Cable
15	3-2291	SLIDE
16	3-2290	BRACKET
17	1-0023	SPRING
18	9-0188	WASHER, 5/16" SAE Flat (2)
19	9-0222	NUT, 5/16-24 Hex Center Lock
20	1-4415	STUD, Shift
21	4-0503	HANDLE, Clutch
22	1-2659	KNOB
23	9-0240	SCREW, 5/16-24 x 1-1/4" Hex Head Cap, Grade 2
24	9-0187	WASHER, 5/16" Split Lock
25	9-0196	NUT, 5/16-18 Hex
26A	4-0509	LATCH, RT8, RT8S
26B	4-0498	LATCH, R8000
27	1-4380	SPRING
28	4-7854	BRACKET, Latch
29	9-0289	NUT, 3/8-24 Hex Center Lock (2)
30	9-0612	BOLT, 3/8-16 x 3/4" Hex Flange Lock (14)
31	9-0654	PIN, 5/32 x 1-1/4" Cotter (was 9-0042, 1/8")
32A	3-6106	BRACKET, Handle (RT8, RT8S)
32B	3-6059	BRACKET, Handle (R5000, R8000)*
33	9-0169	SCREW, 3/8-24 x 2-1/2" Hex Head Cap
34	1-1879	GRIP, Handle Release
35	1-2117	BUSHING *NOTE: Use with items 26A, 27 & 32A
36	9-0864	WASHER, 13/16" Flat
37	9-0820	NUT, 3/4-16 Hex Jam Lock (2)
38	1-4455	SPRING
39	1-4390	E-RING (for 5/16" Diameter Rod)
40	1-4682	CLIP, Cable
41	1-8582	ROD, Handle Release
42	1-8578	CABLE, Traction Control
43	1-8588	CABLE, Tine Control
44	9-0184	NUT, 5/16-18 Hex Center Lock
45	9-0553	SCREW, 5/16-18 x 3" Hex Head Cap, Grade 5 (2) (was 9-0831)
46	1-0935	WASHER, 3/4" I.D. Flat
47	1-4840	RETAINER, Nut Locking
48	0-8519	HANG TAG, Credit (not shown)
49	1-4586	BOLT, 3/8-24 x 2-1/4" Hex Head Shear, Grade 5 (2) (not shown)

DECALS

OPERATING INSTRUCTIONS

TINE DIRECTION:
SELECT FORWARD OR REVERSE ROTATION OF TINES.

HANDLE POSITION:
POSITION HANDLE SIDE TO SIDE OR UP AND DOWN AS DESIRED

DEPTH OF TILLING:
RAISE OR LOWER DEPTH BAR FOR DESIRED TILLING DEPTH

ENGINE START:
CHECK OIL AND GAS, SET THROTTLE TO CHOKE OR FAST, AND PULL STARTER ROPE. SEE ENGINE MANUAL FOR DETAILS.

GROUND SPEED:
PLACE SHIFT LEVER IN DESIRED POSITION. TILLING-LOWER SPEEDS AND TRANSPORT-HIGHER SPEEDS.

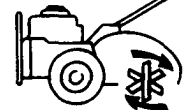
TILLER CLUTCH:
ENGAGE TILLER CLUTCH (IF PROVIDED) AND PULL BACK AND UP ON CLUTCH BAIL FOR TRACTION DRIVE AND TILLING

SEE OPERATOR'S MANUAL FOR ADDITIONAL INFORMATION

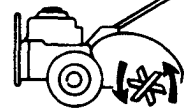
1-9891

TINE ROTATION SELECTION

SELECTION NO. 1 —
REVERSE ROTATION
BEST FOR BREAKING SOIL OR NEW GROUND



SELECTION NO. 2 —
FORWARD ROTATION
BEST FOR SEED BED PREPARATION AND CULTIVATING



SEE OPERATOR'S MANUAL FOR ADDITIONAL INFORMATION

1-9892

IMPORTANT SAFETY INSTRUCTIONS

- 1 Be familiar with all controls and know how to stop Tiller quickly
- 2 Never allow children or inexperienced persons to operate your tiller
- 3 Keep everyone safely away from the area being tilled
- 4 Wear protective clothing and appropriate shoes to provide best footing
- 5 Stay alert - give complete and undivided attention to the job on hand
- 6 Fill fuel tank only when engine is stopped and not hot. Fill out side where fumes can be safely dissipated
- 7 Keep feet, hands and clothing safely away from tines at all times
- 8 Disengage the tines and stop the engine before making any adjustments, clearing tines, or leaving the operator's position

1-4425

1-4425

ENGAGED

TINE CLUTCH

DISENGAGED

1-4429

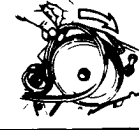
1-4429

INSTRUCTIONS FOR CHANGING TINE ROTATION

- SHUT OFF ENGINE, REMOVE WINGNUT AND SWING BELT COVER BACK.
- TO CHANGE FROM REVERSE TO FORWARD:
TAKE BELT OFF BOTTOM OF BIG PULLEY. PULL TOWARD YOU AND HOLD. IN LEFT HAND, REMOVE BELT FROM TOP AND PULL DOWN. PLACE BELT (HELD BY LEFT HAND) UNDER LITTLE PULLEY AND OVER BIG PULLEY.
- TO CHANGE FROM FORWARD TO REVERSE:
TAKE BELT OFF TOP OF BIG PULLEY. PULL TOWARD YOU AND HOLD. LIFT BELT FROM BOTTOM AND PUT IN TOP OF PULLEY.
- MAKE SURE BELT IS RUNNING TRUE UNDER LITTLE PULLEY, AROUND BIG PULLEY AND ABOVE GUIDE PIV.
- SWING BELT COVER FORWARD & INSTALL WINGNUT



TO FORWARD:



TO REVERSE:

1-4519

1-4519

WHEEL & TINE CONTROL
LIFT TO ACTIVATE
RELEASE TO STOP

1-4439

R5000 SHOWN #1-4423, RT5 #1-4683

R5000

1-4423

R8000 SHOWN #1-4424, RT8 #1-4684, RT8S #1-4688

R8000

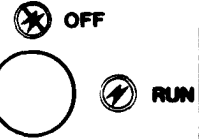
1-4424

11 1/2" WIDE #1-8593, 14 1/2" WIDE #1-8586

SNAPPER

1-9893

ENGINE IGNITION



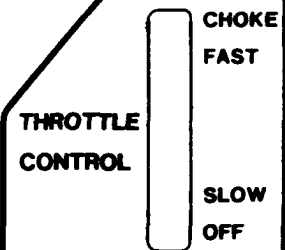
1-4427 MANUAL START
1-4689 ELECTRIC RT8S

HANDLE RELEASE

PULL TO RELEASE

1-4428

1-4428



THROTTLE CONTROL

CHOKE
FAST
SLOW
OFF

1-4426

1-4426

GARDEN TOOL ACCESSORIES

The R5000 series rear tine tillers require the #6-0572 clevis & pin kit, and the 6-0567 hitch adapter to use the following kits. The R8000 requires only the 6-0567 hitch adapter.

#6-0559 HAULING TRAY KIT

ITEM	PART NO.	DESCRIPTION	QTY.
1	1-3652	DUMP-BARROW	1
2	1-3561	DRAW-BAR	1
3	1-3654	BRACKET, Mounting	1
4	1-8608	GAGE-SHOE (Skid)	1
5	1-3952	PIN, Draw	1
6	1-2867	PIN, Hair	1
7	1-3653	SCREW, 3/8-16 x 3/4" Pan Head	4
8	9-0600	WASHER, 3/8" SAE Flat	4
9	9-0118	WASHER, 3/8" Split Lock	4
10	9-0130	NUT, 3/8-16 Hex	4
11	9-0618	BOLT, 1/2-13 x 2" Sq Nk, Gr 5	5
12	9-0254	WASHER, 1/2" Split Lock	5
13	9-0258	NUT, 1/2-13 Hex	5

NOTE Items 5 thru 13 part of 6-0583 Hardware Bag

#6-0560 SHOVEL CULTIVATOR KIT

ITEM	PART NO.	DESCRIPTION	QTY.
1	1-3609	SHOVEL	4
2	1-8608	GAGE-SHOE	1
3	1-3605	SHANK	4
4	1-3606	CLAMP, Shank	4
5	1-8607	DRAW-BAR	1
6	1-3604	CROSS-BAR	1
7	9-0330	SCREW, 1/2-13 x 1-1/2" H H C	4
8	9-0254	WASHER, 1/2" Split Lock	5
9	9-0258	NUT, 1/2-13 Hex	5
10	9-0618	BOLT, 1/2-13 x 2" Sq Nk, Gr 5	5
11	9-0619	NUT, 1/2-13 Hex Flange lock	4
12	1-3610	BOLT, 3/8-16 x 1-1/4" Plow	4
13	9-0118	WASHER, 3/8" Split Lock	4
14	9-0130	NUT, 3/8-16 Hex	4

NOTE Items 7 thru 14 part of 6-0582 Hardware Bag

#6-0561 SWEEP CULTIVATOR KIT

ITEM	PART NO.	DESCRIPTION	QTY.
1	1-3638	SWEEP	4
2	1-8608	GAGE-SHOE	1
3	1-3605	SHANK	4
4	1-3606	CLAMP, Shank	4
5	1-8607	DRAW-BAR	1
6	1-3604	CROSS-BAR	1
7	9-0330	SCREW, 1/2-13 x 1-1/2" H H Cap	4
8	9-0254	WASHER, 1/2" Split Lock	5
9	9-0258	NUT, 1/2-13 Hex	5
10	9-0618	BOLT, 1/2-13 x 2" Sq Nk, Gr 5	5
11	9-0619	NUT, 1/2-13 Hex Flange Lock	4
12	1-3610	BOLT, 3/8-16 x 1-1/4" Plow	4
13	9-0118	WASHER, 3/8" Split Lock	4
14	9-0130	NUT, 3/8-16 Hex	4

NOTE Items 7 thru 14 part of 6-0582 Hardware Bag

#6-0606 DOZER BLADE KIT

ITEM	PART NO.	DESCRIPTION	QTY.
1	4-9947	WELDMENT, Bracket	1
2	5-7391	ASSEMBLY, Snow Blade	1
3	9-0017	SCREW, 1/2-20 x 2-3/4" Hex	1
4	3-1002	PIN	1
5	9-0266	NUT, 1/2-20 Hex Center Lock	1
6	9-0143	SCREW, 3/8-16 x 1-1/4" Hex	4
7	9-0118	WASHER, 3/8" Split Lock	4
8	9-0130	NUT, 3/8-16 Hex	4
9	3-2352	PIN, Tiller Blade	2

NOTE Items 3 thru 9 part of 6-0612 Hardware Bag

#6-0563 DISC HILLER KIT

ITEM	PART NO.	DESCRIPTION	QTY.
1	5-1410	DISC, Right Side Assembly	1
2	5-1409	DISC, Left Side Assembly	1
3	1-8607	DRAW-BAR	1
4	1-3604	CROSS-BAR	1
5	1-8608	GAGE-SHOE	1
6	1-3636	CLAMP-PLATE	2
7	9-0618	BOLT, 1/2-13 x 2" Square Neck	5
8	9-0570	BOLT, 1/2-13 x 2-3/4" Square	6
9	9-0705	WASHER, 1/2" SAE Flat	2
10	9-0254	WASHER, 1/2" Split Lock	11
11	9-0258	NUT, 1/2-13 Hex	11

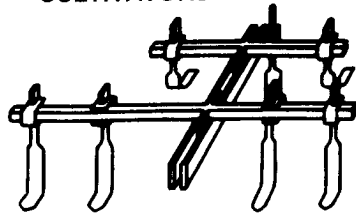
NOTE Items 7 thru 11 part of 6-0584 Hardware Bag

#6-0564 MIDDLE BUSTER KIT

ITEM	PART NO.	DESCRIPTION	QTY.
1	1-8622	STANDARD	1
2	1-3616	MIDDLE BUSTER	1
3	1-8607	DRAW-BAR	1
4	1-8608	GAGE-SHOE	1
5	1-3573	SPACER BUSHING	1
6	9-0497	BOLT, 3/8-16 x 1-1/2" Square	1
7	9-0118	WASHER, 3/8" Split Lock	1
8	9-0130	NUT, 3/8-16 Hex	1
9	1-3617	BOLT, 7/16-14 x 3" Plow	2
10	1-3620	WASHER, 15/32" Flat	2
11	9-0247	WASHER, 7/16" Split Lock	2
12	9-0449	NUT, 7/16-14 Hex	2
13	9-0618	BOLT, 1/2-13 x 2" Square Neck	4
14	9-0254	WASHER, 1/2" Split Lock	4
15	9-0258	NUT, 1/2-13 Hex	4

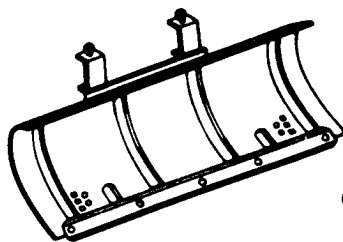
NOTE Items 5 thru 15 part of 6-0581 Hardware Bag

CULTIVATORS

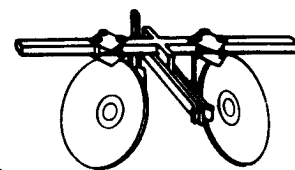


REAR TINE TILLER

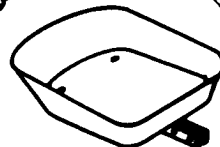
DOZER BLADE



21

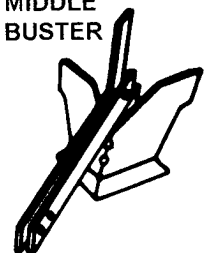


DISC HILLER

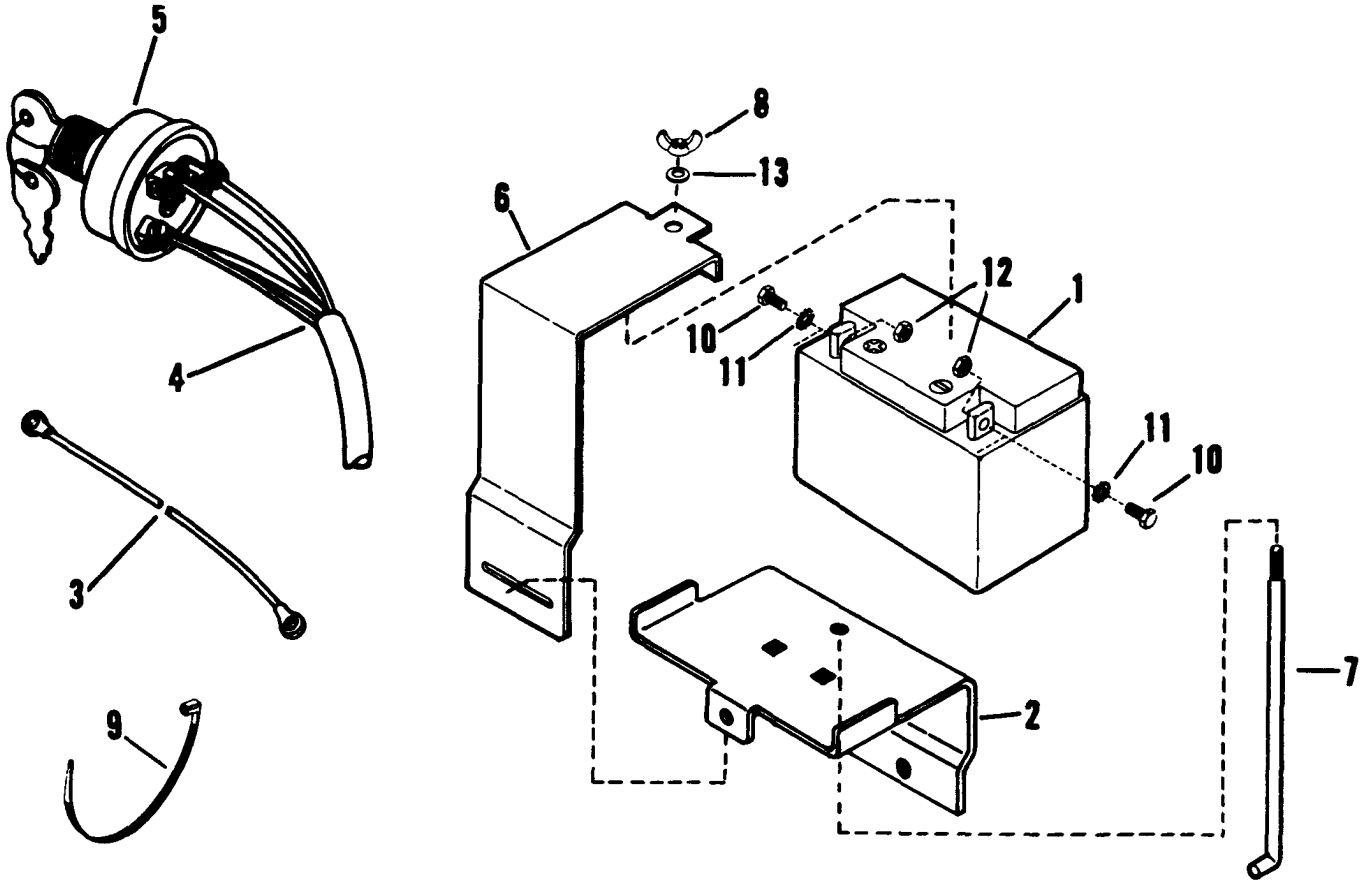


HAULING TRAY

MIDDLE BUSTER



12 V. BATTERY SYSTEM (RT8S)



ITEM	PART NO.	DESCRIPTION
--	6-0707	KIT, Battery Bracket (includes the following indented items)
1	6-0660	BATTERY, 12 Volt Sealed Lead Acid Zm-12
2	3-6107	BRACKET, Battery Mounted
3	1-4063	WIRE, Negative
4	1-8654	HARNESS, Wiring
5	1-1155	SWITCH (Includes two 1-1138 Keys)
6	3-8165	RETAINER, Battery
7	1-4899	ROD, Battery Hold-Down
8	9-0311	WING-NUT, 1/4-20
9	1-2080	CABLE TIE
10	9-0411	SCREW, #10-24 x 1/2" Hex Head Cap
11	9-0601	WASHER, #10 External Tooth Lock
12	1-2688	NUT, #10-24 Hex Twin-Lock
13	9-0055	WASHER, 1/4" SAE Flat
14	9-0583	NUT, 1/4-20 Hex Flange Lock

SNAPPER® McDonough, GA., 30253 U.S.A.