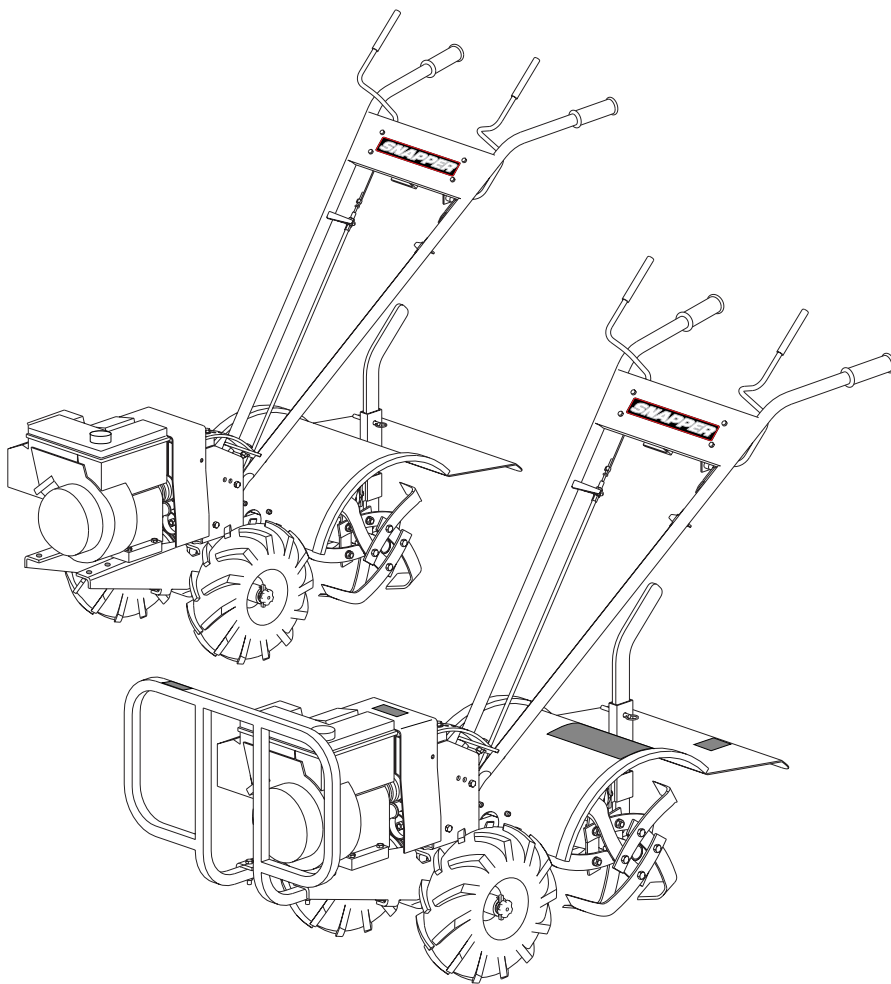


Parts Manual for

SNAPPER®

INTERMEDIATE REAR TINE TILLER 6 & 7 HP 16" TWO SPEED

MODEL
6016RT (7800052)
7016RT (7800053)



Briggs & Stratton Yard Power Products Group

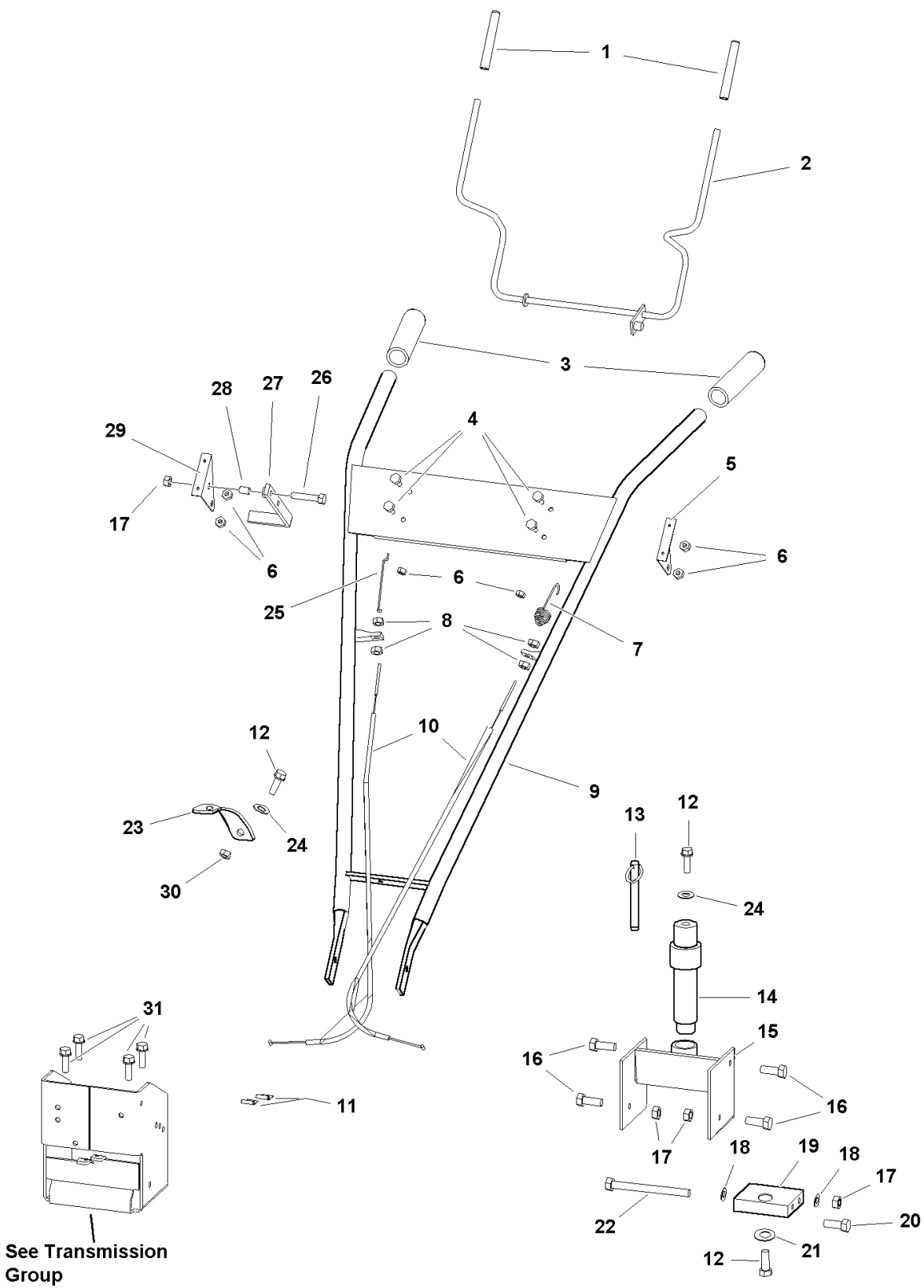
535 Macon Road
McDonough, GA, 30253 U.S.A.
800-935-2967

Revision C, 5/29/2008

Manual No. 7006257

TP 400-5131-C-RT-N

PAGE	GROUP
4	Handle Bar Group
6	Engine, Belts & Wheels Group - 6 HP
10	Engine, Belts & Wheels Group - 7 HP
14	Transmission Group
16	Wheel & Tiller Shaft Group
18	Hood, Drag Stake & Tine Group - 6 HP
20	Hood, Drag Stake & Tine Group - 7 HP
22	Decals Group
24	Hiller/Furrower Attachment

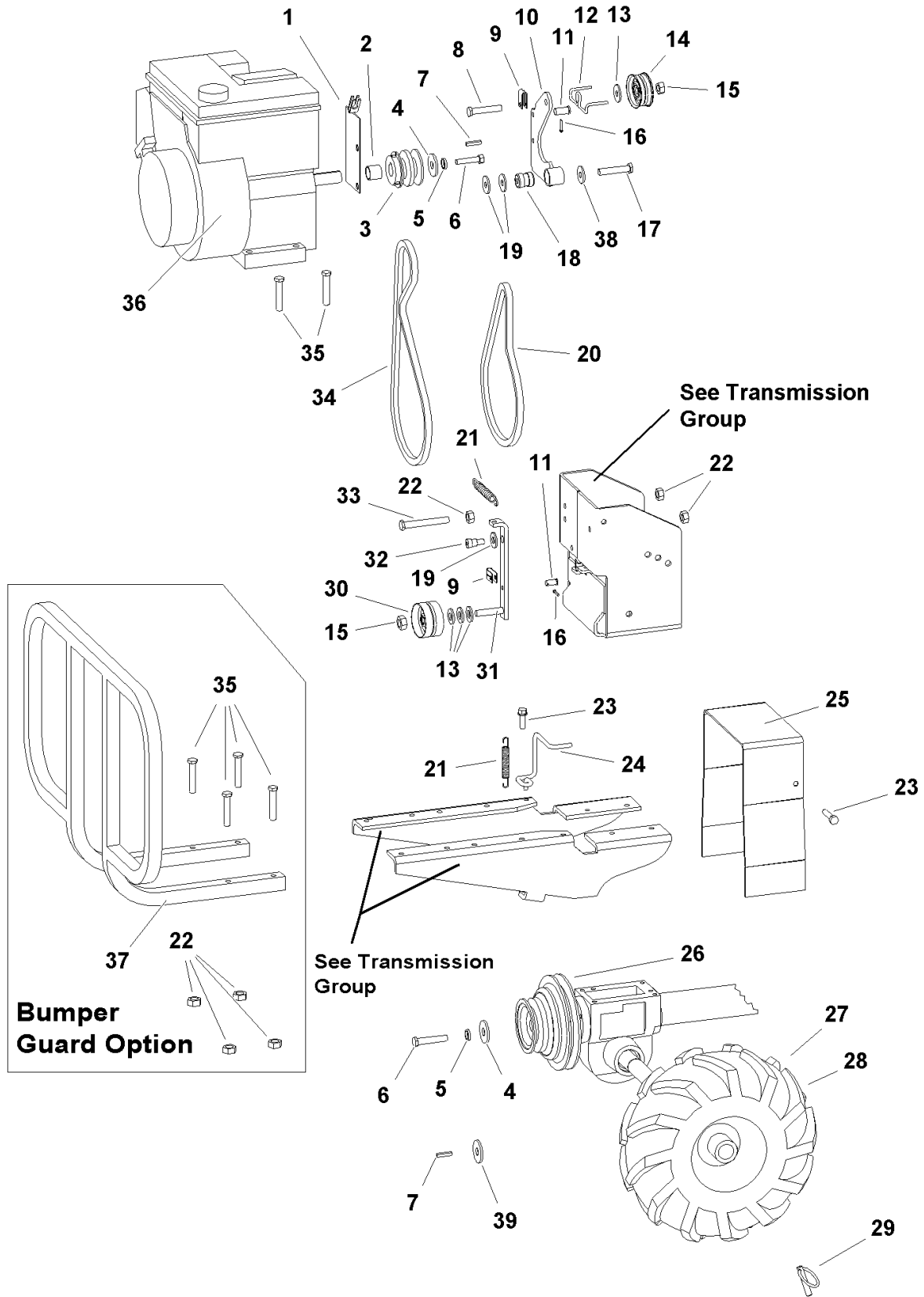


Handle Bar Group

Item	Part No	Qty	Description	Note
1	1716699	2	HANDLE GRIP, Drive Control Lever	
2	1722325	1	LEVER, Drive Control	
3	1719038	2	HANDLE GRIP	
4	1960392	4	SCREW, Pan Head Phillips #10-24 x 1/2	
5	1716723	1	BRACKET, Drive Control Lever LH	
6	1933896	6	NUT, Hex Nylock, 10-24	
7	1716720	1	SPRING, Forward Cable Adjustment	
8	2820438	4	NUT, Hex Jam, 5/16-24	
9	1723692	1	HANDLE BAR ASSEMBLY	
10	1719037	2	CABLE ASSEMBLY	
11	1719063	2	C-CLAMP	
12	1921332	3	CAPSCREW, Hex Head, 5/16-18 x 3/4	
13	1723703	1	PIN, Detent	
14	1723695	1	PIVOT ROD ASSEMBLY	
15	1723696	1	PIVOT MOUNT ASSEMBLY	
16	1921210	4	CAPSCREW, Hex Head, 3/8-16 x 1	
17	1916950	5	NUT, Hex, 3/8-16	
18	1924940	2	WASHER	
19	1723694	1	PIVOT, Handle Bar Mount	
20	1920415	1	CAPSCREW, Hex Head, 3/8-16 x 1-1/4	
21	1716770	1	WASHER	
22	1922648	1	CAPSCREW, Hex Head 3/8-16 x 4	
23	1723697	1	PIVOT, Hnadle Bar Height Adjustment	
24	1960044	2	WASHER	
25	1716729	1	LINK, Reverse	
26	1921977	1	CAPSCREW, Hex Head, 5/16-18 x 1-1/4	
27	1716725	1	HANDLE, Reverse	
28	1716704	1	BUSHING, Pivot, 5/16	
29	1716722	1	BRACKET, Drive Control Lever RH	
30	1935048	2	NUT, Hex Flange Tow Way Lock, 5/16-18	
31	1921332	4	BOLT, Hex Flange Head, 5/16-18 x 3/4	

Footnotes:

Engine, Belts & Wheels Group - 6 HP



Engine, Belts & Wheels Group - 6 HP

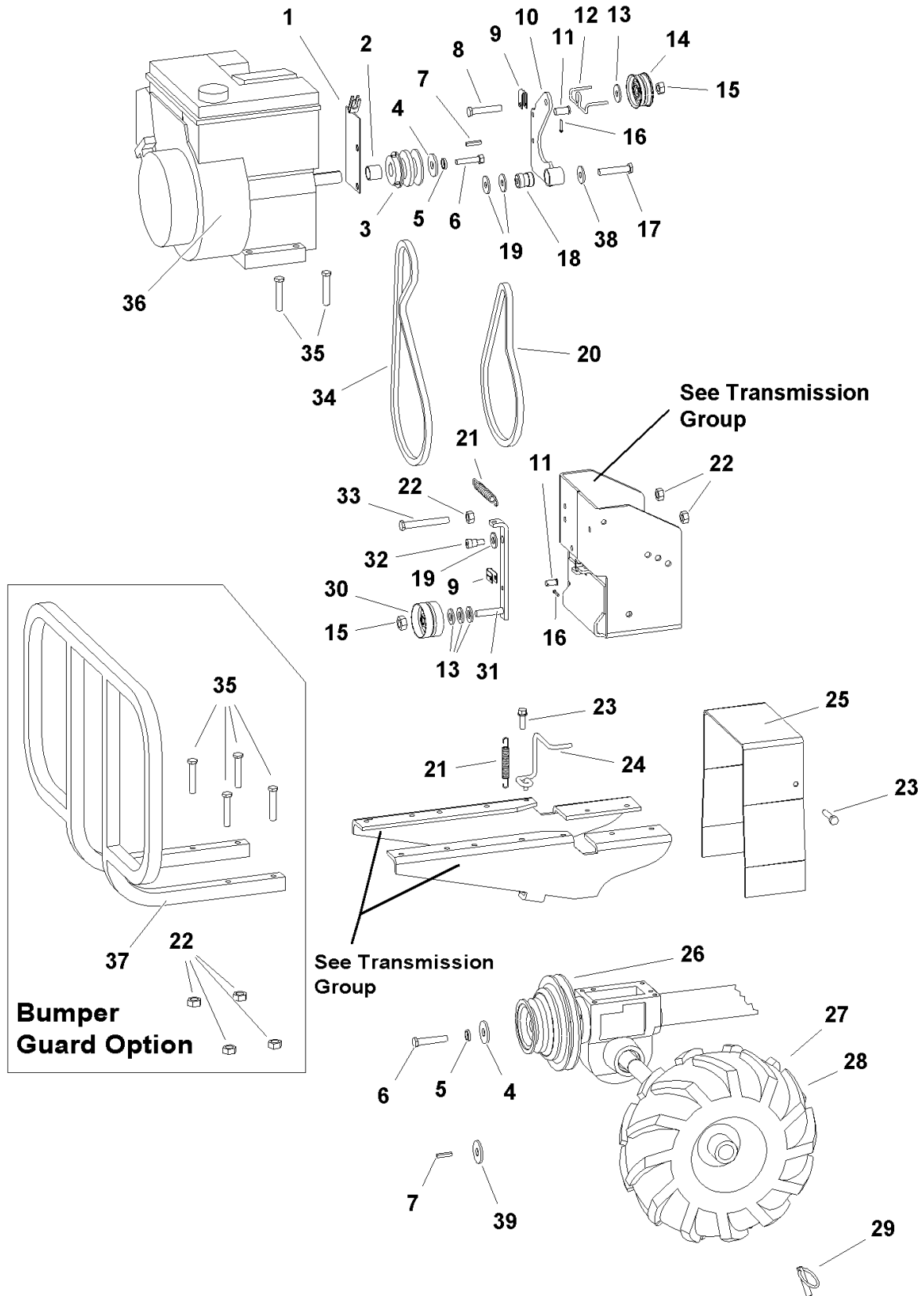
Item	Part No	Qty	Description	Note
1	1722157	1	BRACKET, Engine	
2	1723711	1	SPACER, Engine	
3	1722158	1	PULLEY, Engine 2 Groove	
4	1716770	1	WASHER	
5	1917356	2	LOCKWASHER, Spring, 5/16	
6	1921515	2	CAPSCREW, Hex Head, 5/16-24 x 3/4	
7	2805850	2	KEY, PARALLEL PLN, 3/16 x 3/16 x 1-3/32	
8	1960345	1	CAPSCREW, Hex Head, 3/8-24 x 2	
9	1716728	2	YOKE, Cable	
10	1722159	1	ARM, Pivot	
11	1716702	2	PIN, Link Forward/Reverse	
12	1722162	1	GUIDE, Belt Reverse	
13	1924940	4	WASHER, 3/8	
14	1716805	1	PULLEY, Idler Reverse	
15	1916950	2	NUT, Hex Center Lock, 3/8-16	
16	1716703	2	PIN, Cotter	
17	1723710	1	BOLT, Flat Head, 5/16-24 x 1-1/2	
18	1722160	1	PIVOT	
19	1960044	3	WASHER, 5/16	
20	1716766	1	V-BELT, Forward	
21	1716802	2	SPRING, Idler Arm	
22	1935048	3	NUT, Hex Flange Lock, 5/16-18	
23	1921332	3	BOLT, Hex Flange Head, 5/16-18 x 3/4	
24	1722161	1	GUIDE, Belt Forward	
25	1722165	1	COVER, Belt	
26	1722163	1	PULLEY, Transmission 2 Groove	
27	1721525	1	WHEEL & TIRE ASSEMBLY TILLER, Left	
28	1721524	1	WHEEL & TIRE ASSEMBLY TILLER, Right	
29	1716776	2	PIN, Lock	
30	1716803	1	PULLEY, Forward Idler	
31	1722166	1	ARM, Idler Forward	
32	1722168	1	SCREW, Hex Socket Shoulder, 5/16-18 x 3/8	
33	1925690	1	CAPSCREW, Hex Head, 5/16-18 x 3-1/2	
34	1722144	1	V-BELT, Reverse	
35	1922127	4	CAPSCREW, Hex Head, 5/16-18 x 1-3/4	
36	----	1	^ ENGINE, 6HP B&S INTEK, Model #126412-0023-E2	
37	1721528	1	^ BUMPER, Guard (Optional)	

Footnotes:

^Bumper is not standard with the 6HP tiller, but it is an available option, order the bumper guard (Ref# 37), 4 nuts (Ref# 22) and 4 capscrews (Ref# 35).

^See your local Briggs & Stratton dealer for Parts & Service.

Engine, Belts & Wheels Group - 6 HP



Engine, Belts & Wheels Group - 6 HP

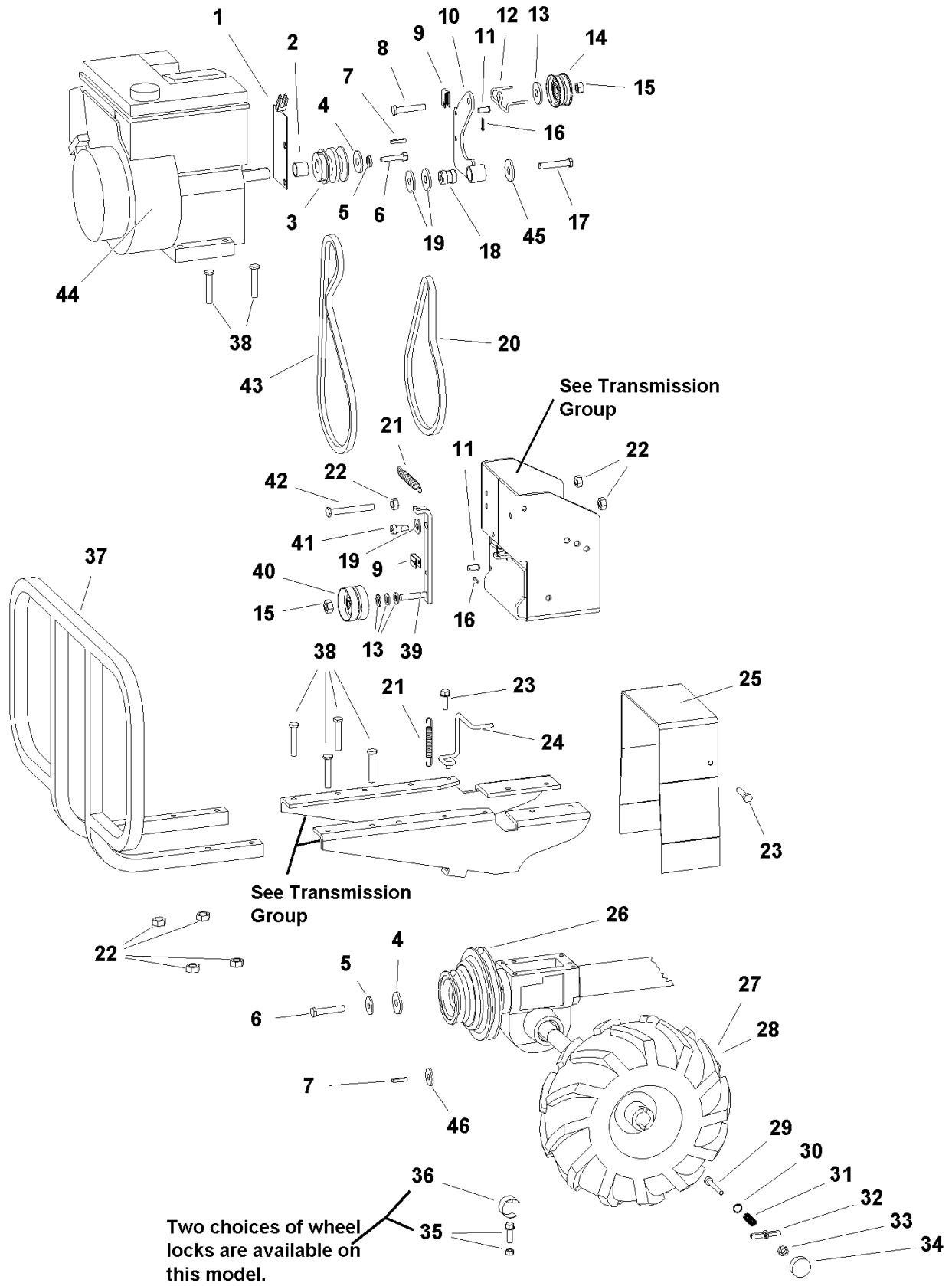
Item	Part No	Qty	Description	Note
38	1919384	1	WASHER	
39	2860164	1	WASHER	

Footnotes:

^Bumper is not standard with the 6HP tiller, but it is an available option, order the bumper guard (Ref# 37), 4 nuts (Ref# 22) and 4 capscrews (Ref# 35).

^See your local Briggs & Stratton dealer for Parts & Service.

Engine, Belts & Wheels Group - 7 HP



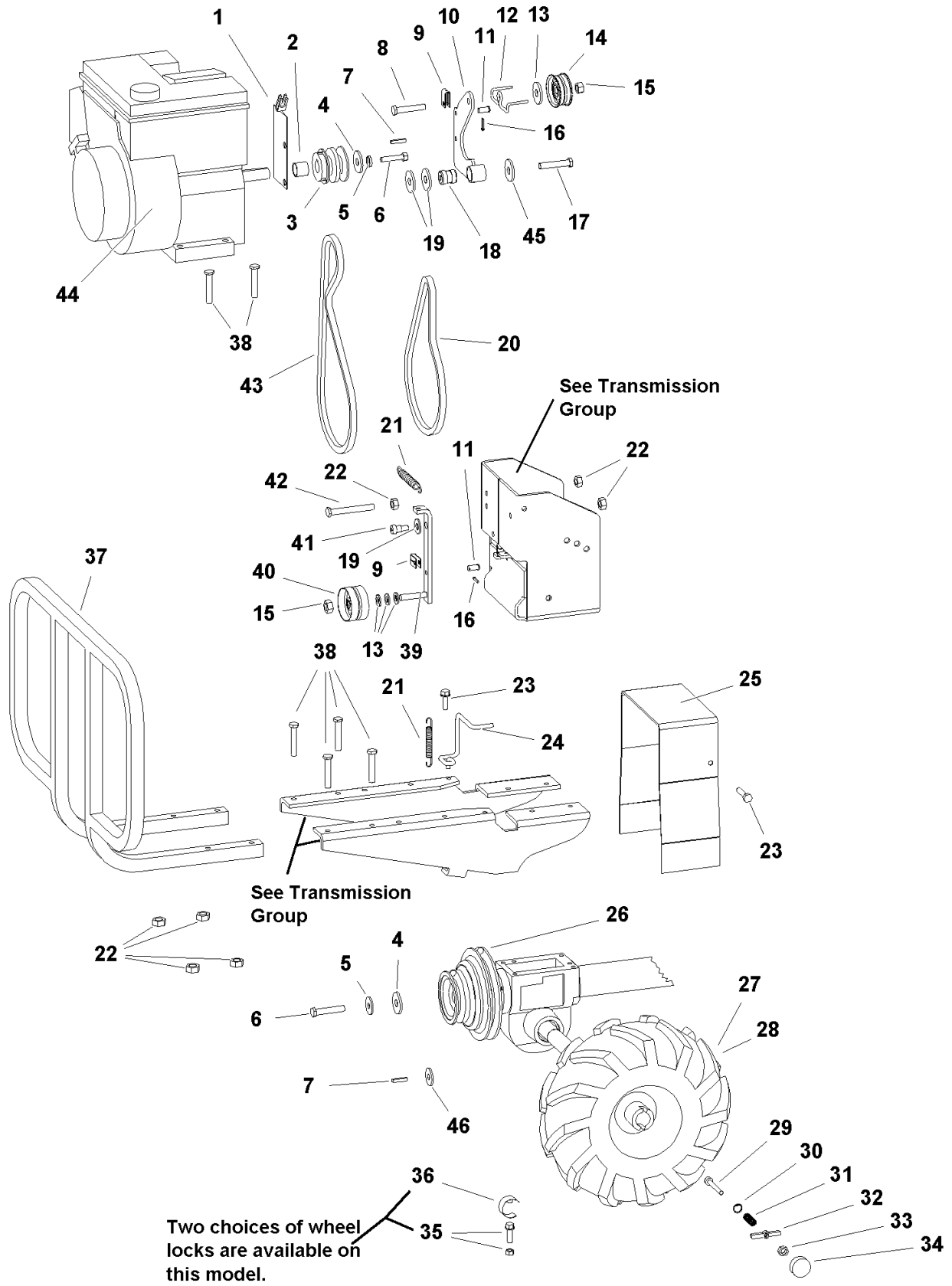
Engine, Belts & Wheels Group - 7 HP

Item	Part No	Qty	Description	Note
1	1722157	1	BRACKET, Engine	
2	1723711	1	SPACER, Engine	
3	1722158	1	PULLEY, Engine 2 Groove	
4	1716770	2	WASHER	
5	1917356	2	LOCKWASHER, Spring 5/16	
6	1921515	2	CAPSCREW, Hex Head, 5/16-24 x 3/4	
7	2805850	2	KEY, Parallel	
8	1960345	1	CAPSCREW, Hex Head, 3/8-24 x 2	
9	1716728	2	YOKE, Cable	
10	1722159	1	ARM, Pivot	
11	1716702	2	PIN, LINK Forward/Reverse	
12	1722162	1	GUIDE, Belt Reverse	
13	1924940	4	WASHER, 3/8	
14	1716805	1	PULLEY, Idler Reverse	
15	1930651	2	NUT, Hex Center Lock, 3/8-16	
16	1716703	2	PIN, Cotter	
17	1723710	1	BOLT, Flat Head, 5/16-24 x 1-1/2	
18	1722160	1	PIVOT	
19	1960044	3	WASHER, 5/16	
20	1716766	1	V-BELT, Forward	
21	1716802	2	SPRING, Idler Arm	
22	1935048	7	NUT, Hex Flange 5/16-18	
23	1921332	3	BOLT, Hex Flange Head, 5/16-18 x 3/4	
24	1722161	1	GUIDE, Belt Forward	
25	1722165	1	COVER, Belt	
26	1722163	1	PULLEY, Transmission 2 Groove	
27	1716773	1	WHEEL & TIRE ASSEMBLY, Tiller LH	
28	1716775	1	WHEEL & TIRE ASSEMBLY, Tiller RH	
29	1716782	2	CAPSCREW, Hex Socket Head, 1/4-20 x 2-3/32	
30	1960151	2	WASHER, 1/4	
31	1716781	2	SPRING	
32	1716778	2	PIN, Lock	
33	2828372	2	NUT, Hex KEPS 1/4-20	
34	1716777	1	KNOB, Lock Out Set of Two	
35	1722185	2	SETSCREW, Wheel Lockout	
36	1722171	2	CLAMP, C Wheel Lockout	
37	1721528	1	BUMPER, Guard	

Footnotes:

^See your local Briggs & Stratton dealer for Parts & Service.

Engine, Belts & Wheels Group - 7 HP

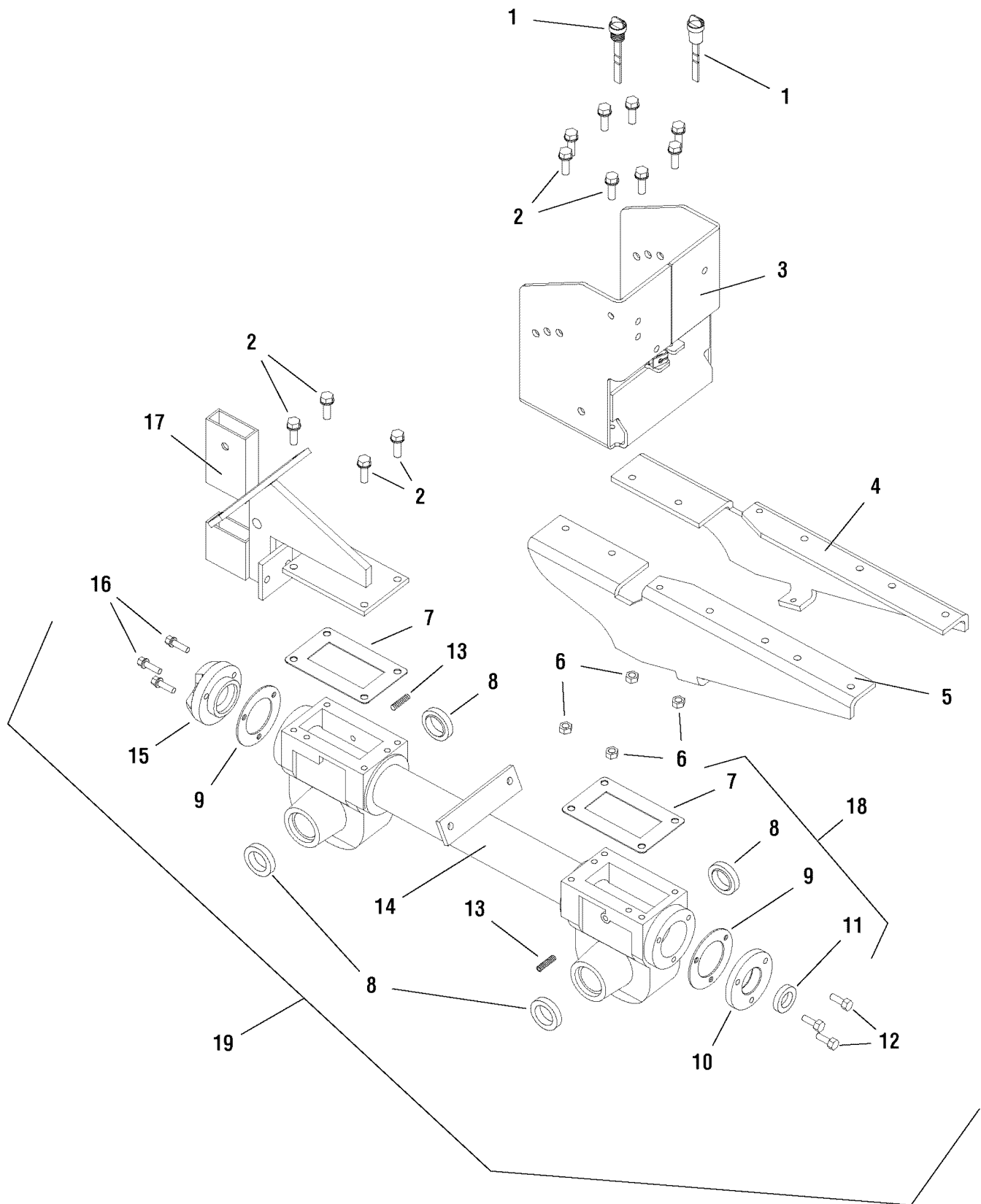


Engine, Belts & Wheels Group - 7 HP

Item	Part No	Qty	Description	Note
38	1922127	8	CAPSCREW, Hex Head, 5/16-18 x 1-3/4	
39	1722166	1	ARM, Idler Forward	
40	1716803	1	PULLEY, Forward Idler	
41	1722168	1	SCREW, Hex Socket Shoulder, 5/16-18 x 3/8	
42	1925690	1	CAPSCREW, Hex Head, 5/16-18 x 3-1/2	
43	1722144	1	V-BELT, Reverse	
44		1	^ ENGINE, 7HP B&S INTEK, Model #120412-0141-E1	
45	1919384	1	WASHER, 3/8	
46	2860164	1	WASHER	

Footnotes:

^See your local Briggs & Stratton dealer for Parts & Service.

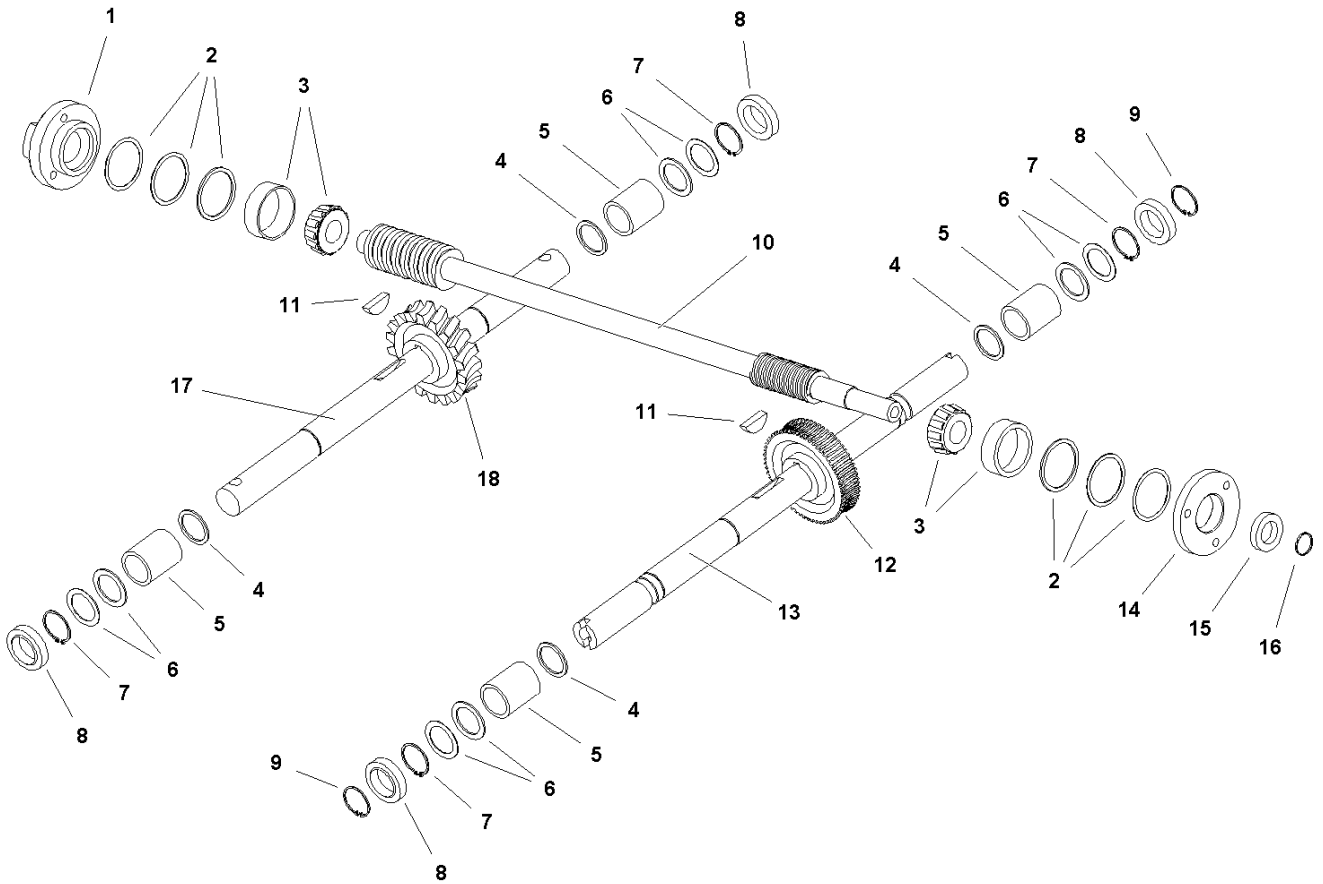


Transmission Group

Item	Part No	Qty	Description	Note
1	1723700	1	DIPSTICK	(Threaded)
1	1723700	1	DIPSTICK	(Push-In)
2	1921332	12	CAPSCREW, Hex Head, 5/16-18 x 3/4	
3	1722327	1	COVER PLATE & MOUNT	
4	1716753	1	BRACKET, Engine Mount LH	
5	1716752	1	BRACKET, Engine Mount RH	
6	1935048	4	NUT, Hex Flange Lock, 5/16-18	
7	1716789	2	GASKET, Housing & Transmission Cover	
8	1716791	4	SEAL, Housing	
9	1716792	2	GASKET, Bearing Cap Front/Rear	
10	1716796	1	CAP, Rear Bearing	
11	1716797	1	SEAL, Oil, Drive Shaft	
12	1716798	3	BOLT, Hex Flange Head, 1/4-20 x 3/4	
13	1716790	2	PLUG, Pipe, Socket Head, Oil Check, 1/4-18	
14	1722330	1	TRANSMISSION, Housing, Tiller Casting	
15	1716793	1	CAP, Rear Bearing	
16	1716795	3	BOLT, Hex Flange Head, 1/4-20 x 7/8	
17	1721511	1	BRACKET, Depth Regulator RT	
18	1716799	1	GASKET KIT, Oil Seal (Includes Ref. 7, 8, 9, and 11)	
19	1723699	1	TRANSMISSION ASSEMBLY, Complete, w/Lockouts - 6 HP	
19	1723701		TRANSMISSION ASSEMBLY, Complete - 7 HP	

Footnotes:

Wheel & Tiller Shaft Group



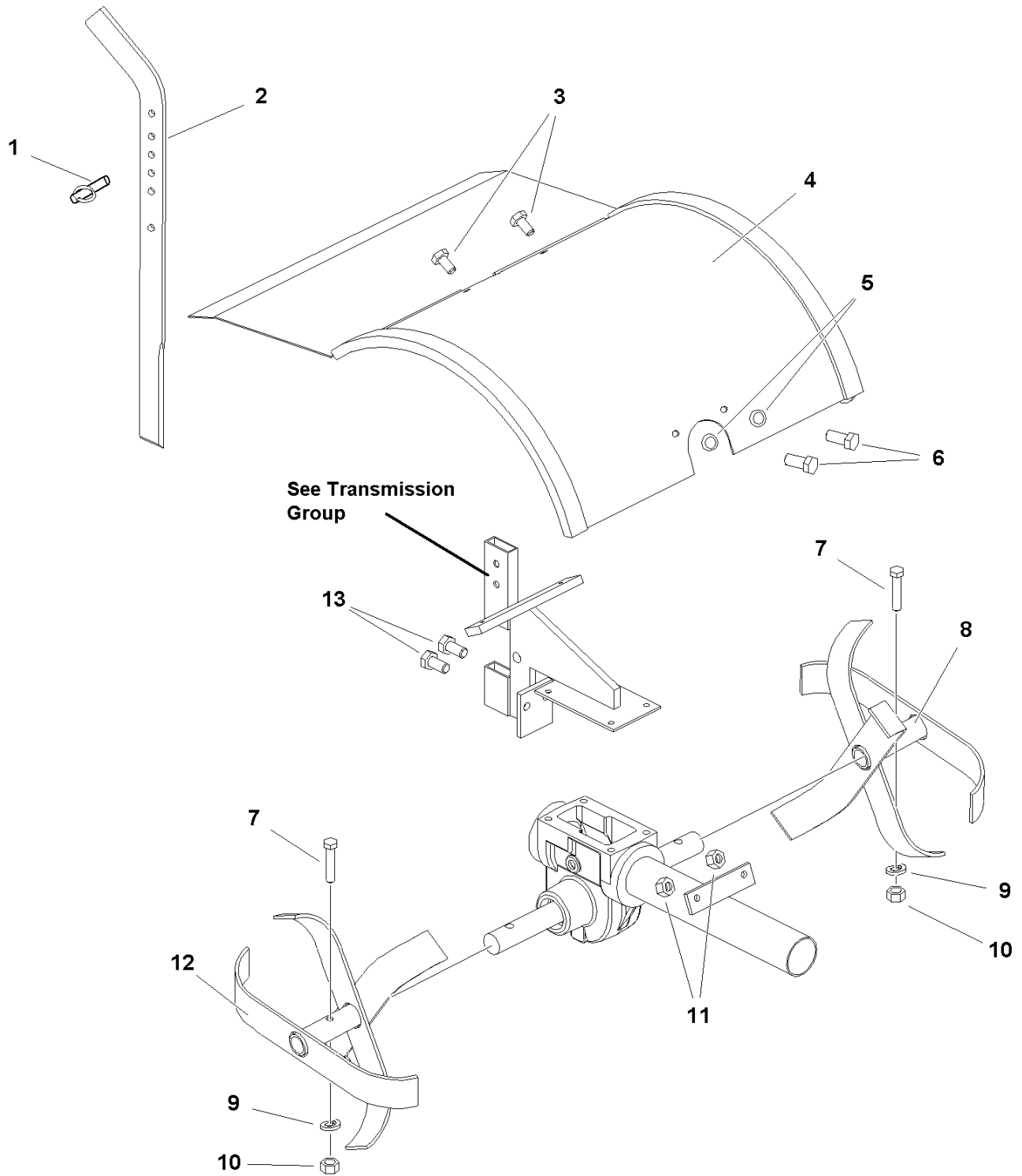
Wheel & Tiller Shaft Group

Item	Part No	Qty	Description	Note
1	1716793	1	CAP, Rear Bearing	
2	1716825	1	SHIM SET, Rear Bearing Cap	
2	1716826	1	SHIM, 0.062 THK1-3/4" x OD1806 (As Required)	
2	1716827	1	SHIM, 0.030 THK1-3/4" x OD1807 (As Required)	
2	1716828	1	SHIM, 0.015 THK1-3/4" x OD1808 (As Required)	
2	1716829	1	SHIM, 0.010 THK1-3/4" x OD1809 (As Required)	
3	1716810	2	BEARING, Tapered (Cone & Race)	
4	1716824	4	SPACER, 1" x 1-1/4"	
5	1716816	4	BUSHING	
6	1716815	4	SHIM SET, Axle Spacer	
6	1716817	1	SHIM, 0.062 THK1-3/8" x OD1705 (As Required)	
6	1716818	1	SHIM, 0.030 THK1-3/8" x OD1706 (As Required)	
6	1716819	1	SHIM, 0.015 THK1-3/8" x OD1707 (As Required)	
6	1716820	1	SHIM, 0.010 THK1-3/8" x OD1708 (As Required)	
7	1716830	4	RING, Snap, Internal Retainer	
8	1716791	4	SEAL, Housing	
9	1716821	2	RING, Snap, External Retainer	
10	1722333	1	DRIVE SHAFT, Main	
11	1716813	2	KEY, Parallel Plane 1/4" x 1/4" x 1"	
12	1716814	1	GEAR, Worm, Wheels Shaft	
13	1716811	1	SHAFT ASSEMBLY, Wheel w/Lock Pin (6016RT)	
13	1716812	1	SHAFT ASSEMBLY, Wheel w/Lock Pin (7016RT)	
14	1716796	1	CAP, Rear Bearing	
15	1716797	1	SEAL, Oil, Drive Shaft	
16	2860164	1	WASHER, 5/8	
17	1716811	1	SHAFT, Tiller	
18	1716823	1	GEAR, Worm Shaft	

Footnotes:

Ref: 1694908 & 9 and Group 985826

Hood, Drag Stake & Tine Group - 6 HP

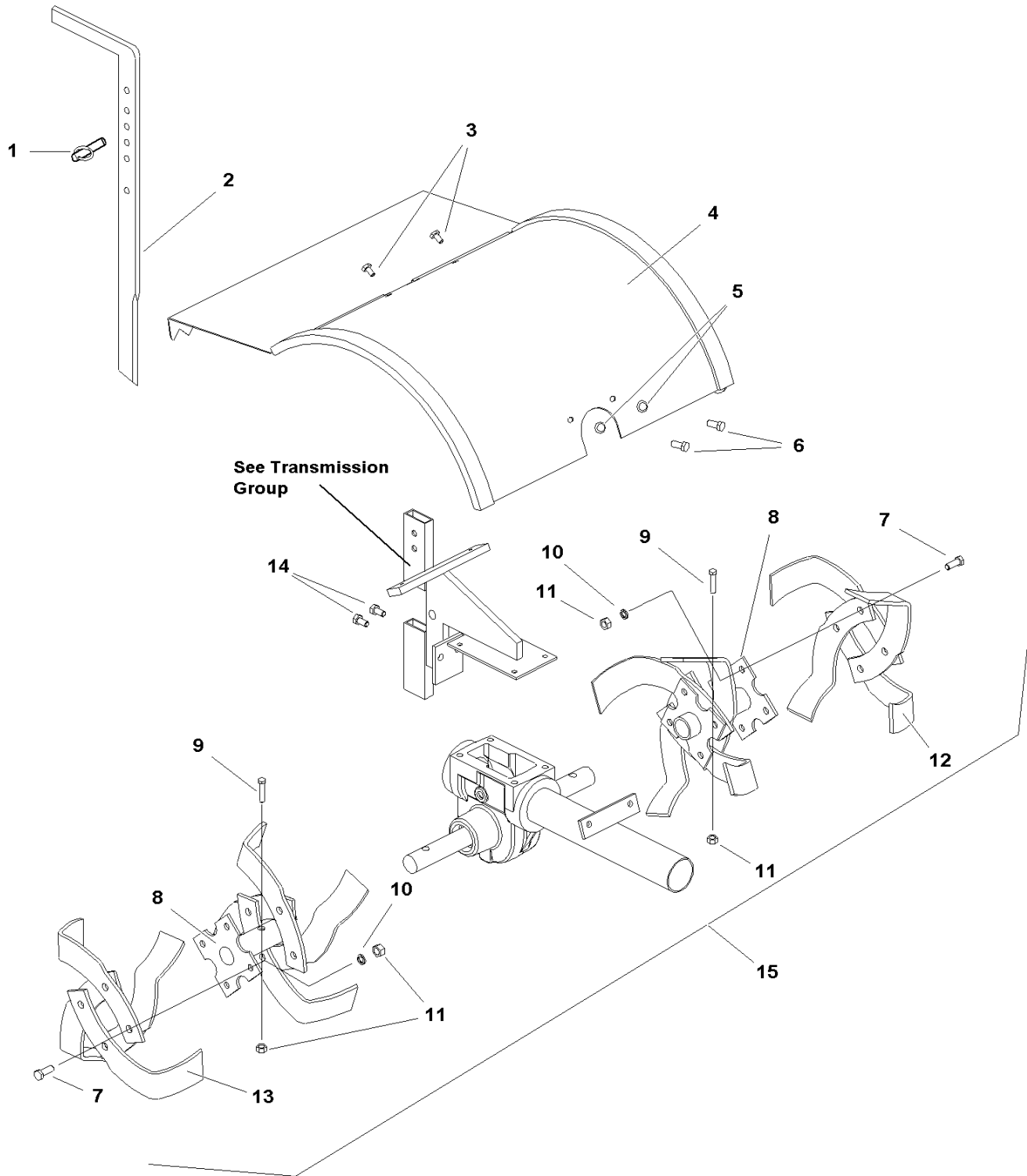


Hood, Drag Stake & Tine Group - 6 HP

Item	Part No	Qty	Description	Note
1	1723703	1	PIN, Detent, 5/16	
2	1723702	1	LEVER, Depth Regulator	
3	1921958	2	CAPSCREW, Hex Head, 1/4 - 20 x 1/2	
4	1722329	1	HOOD, Tiller, No Decal	
5	1917356	2	LOCKWASHER, Spring, 5/16	
6	1920787	2	CAPSCREW, Hex Head, 5/16-18 x 1/2	
7	1921971	2	CAPSCREW, Hex Head, 3/8-16 x 1-3/4	
8	1721513	1	TINE ASSEMBLY, LH	
9	1916965	2	LOCKWASHER, Spring, 3/8	
10	1930651	2	NUT, Hex Center Lock, 3/8-16	
11	1935048	2	NUT, Hex Flange, 5/16-18	
12	1721514	1	TINE ASSEMBLY, RH	
13	1716701	2	BOLT, Hex Flange Head, 5/16-18 x 1/2	

Footnotes:

Hood, Drag Stake & Tine Group - 7 HP



Hood, Drag Stake & Tine Group - 7 HP

Item	Part No	Qty	Description	Note
1	1723703	1	PIN, DETENT 5/16	
2	1723705	1	LEVER, Depth Regulator	
3	1921958	2	CAPSCREW, Hex Head, 1/4-20 x 1/2	
4	1722329	1	HOOD, Tiller, No Decal	
5	1917356	2	LOCKWASHER, 5/16	
6	1920787	2	CAPSCREW, Hex Head, 5/16-18 x 1/2	
7	1921210	16	CAPSCREW, Hex Head, 3/8-16 x 1	
8	1716741	2	HOLDER, Tine Blade Left and Right	
9	1921971	2	CAPSCREW, Hex Head, 3/8-16 x 1-3/4	
10	1916965	18	LOCKWASHER, 3/8	
11	1930651	18	NUT, Hex Centerlock, 3/8-16	
12	1716739	8	TINE BLADE, Left Side	
13	1716737	8	TINE BLADE, Right Side	
14	1716701	2	BOLT, Hex Flange Head, 5/16-18 x 1/2	
15	1716749	1	REPL KIT, Tine Blade Holder (Includes Reference Nos. 7, 8, 9, 10, 11, 12, and 13)	

Footnotes:



FORWARD - PULL DOWN ON
DRIVE CONTROL LEVERS
TO ENGAGE WHEELS AND TINES
PULL FOR REVERSE ↓

<p>WARNING</p> <p>AVOID SERIOUS INJURY</p> <ul style="list-style-type: none"> Read operator's manual(s) before operating. Follow the location and function of all controls. Keep all shields and guards in place and working while running. Never allow children to operate tiller. Use as appropriate — wear safety footwear. Carefully inspect area to be tilled — remove loose rocks and other foreign objects. Do NOT (1) allow unladen and idling, water, gas, or other oily fluids and gases. STOP THE ENGINE AND DISCONNECT THE SPARK PLUG WIRE before removing shields or working with. When leaving the operating position for any reason: <ul style="list-style-type: none"> Shut off the engine. Pull or all moving parts to stop. 	<p>WARNING</p> <p>WHEELS ACT AS BRAKES</p> <ul style="list-style-type: none"> Never start or operate tiller with wheels in the Forward/Reverse position. When rear wheel tines, are engaged through wheel hubs and axle. Wheels act as brakes to keep the tiller at a controlled speed. Do not engage wheel tines until ONLY when ready to stop. <p>OPERATION</p> <p>REFER TO OPERATOR'S MANUAL FOR DETAILED OPERATING INSTRUCTIONS</p> <p>TO START:</p> <ol style="list-style-type: none"> Hold the drive control levers to neutral position. Lower the free wheel so that tire is not touch the ground. Check position of wheels and wheel lockbars. Slide throttle control to choke position. Move throttle control lever to full position. Pull starter rope.
---	---

⚠ DANGER

AVOID INJURY FROM ROTATING TINES!

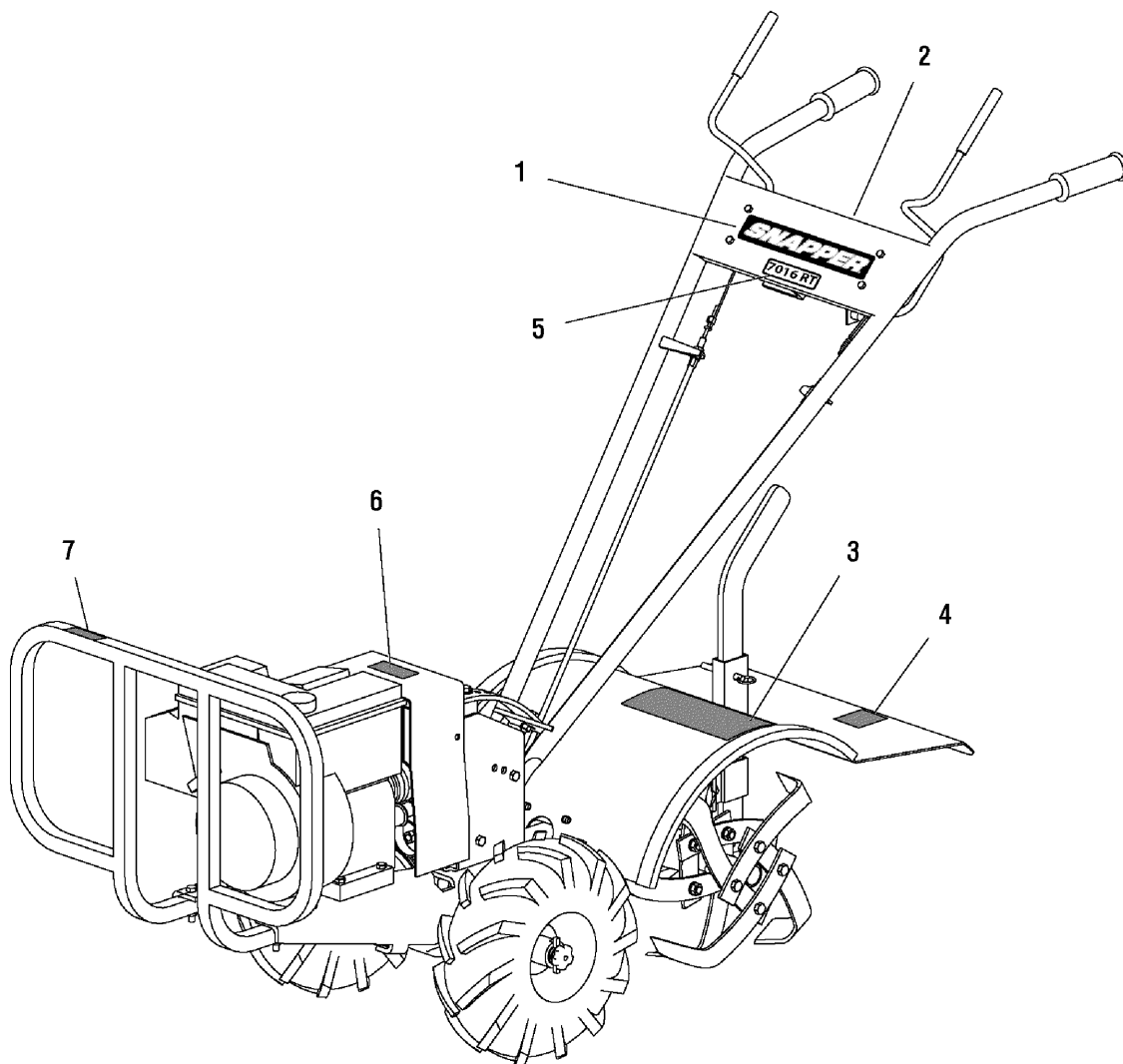
- Keep hands, feet, and clothing away.
- Tines rotate while tiller is engaged to ground or wheels.
- Tines act as levers when an object is caught and pulled down.
- Wheels, tires and wheel locks which the operator stands in or near when the operator.
- Hold onto the drive control levers to control stops the wheels and tines.

7016 RT

PLACE FREE HAND HERE

⚠ WARNING

DO NOT START ENGINE UNLESS BELT COVER IS ATTACHED. KEEP HANDS, FEET, AND CLOTHING AWAY FROM MOVING BELTS AND PULLEYS. FAILURE TO COMPLY COULD RESULT IN INJURY. SEE OWNER'S MANUAL FOR FULL SAFETY INSTRUCTIONS.

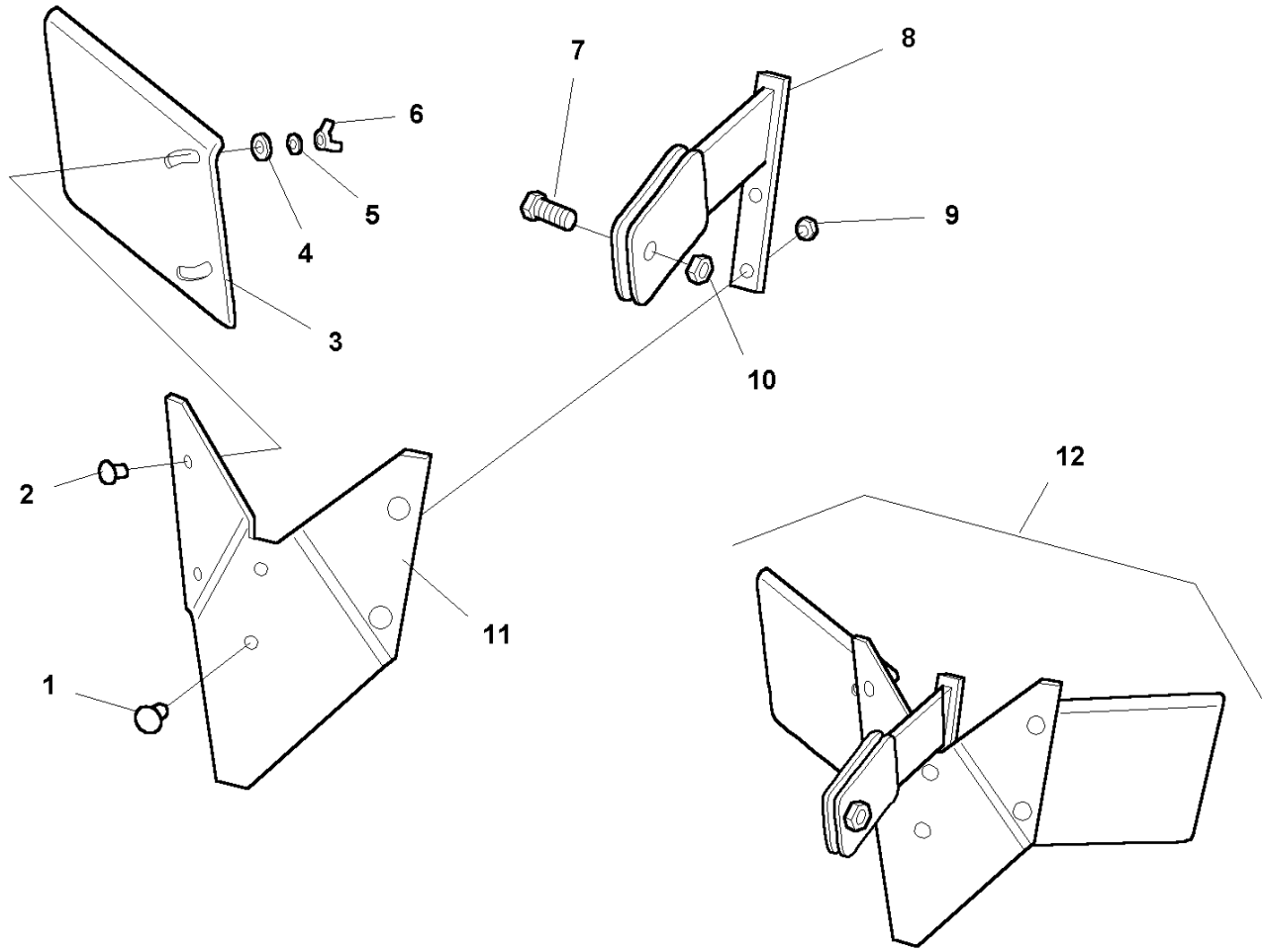


Decals Group

Item	Part No	Qty	Description	Note
1	1726721	1	DECAL, Snapper	
2	1716734	1	DECAL, Console Forward/Reverse Instructions	
3	1716747	1	DECAL, Hood, Operator Instructions Label	
4	1716840	1	DECAL, Danger, Tine Hood Label	
5	1723523	2	DECAL, 6016 RT (not shown)	
5	1723522	2	DECAL, 7016 RT	
6	1716800	1	DECAL, Warning, Belt Cover	
7	1716839	1	DECAL, Brush Bar (on 7 HP model only)	

Footnotes:

Hiller/Furrower Attachment



Hiller/Furrower Attachment

Item	Part No	Qty	Description	Note
1	1931352	2	BOLT, Carriage, 3/8-16 x 1-1/2	
2	1931333	4	BOLT, Carriage, 5/16-18 x 3/4	
3	1723726	1	HILLER WING, Left	
3	1723727	1	HILLER WING, Right (Not Shown)	
4	1960044	4	WASHER, Flat, 5/16	
5	2820426	4	LOCKWASHER, External Tooth, 5/16	
6	1933126	4	WING NUT, 5/16-18	
7	1960268	1	BOLT, Socket Head, 3/8-16 x 1-1/4	
8	1723725	1	BRACKET	
9	1919439	2	NUT, Nylock, 3/8-16	
10	1916950	1	NUT, Hex, 3/8-16	
11	1723724	1	BLADE, Furrower	
12	1686802	1	HILLER / FURROWER ATTACHMENT, Complete	

Footnotes:

Parts Manual for

SNAPPER[®]

INTERMEDIATE REAR TINE TILLER 6 & 7 HP 16" TWO SPEED

IT IS THE POLICY OF BRIGGS & STRATTON CORP TO IMPROVE ITS PRODUCTS WHENEVER IT IS POSSIBLE AND PRACTICAL TO DO SO. WE RESERVE THE RIGHT TO MAKE CHANGES OR ADD IMPROVEMENTS AT ANY TIME WITHOUT INCURRING ANY OBLIGATION TO MAKE SUCH CHANGES ON PRODUCTS

Briggs & Stratton Yard Power Products Group

535 Macon Road
McDonough, GA, 30253 U.S.A.
800-935-2967

www.snapper.com

Copyright © 2008 Briggs & Stratton Corporation
Milwaukee, WI USA. All Rights Reserved

Manual No. 7006257
Revision C, 5/29/2008
TP 400-5131-C-RT-N