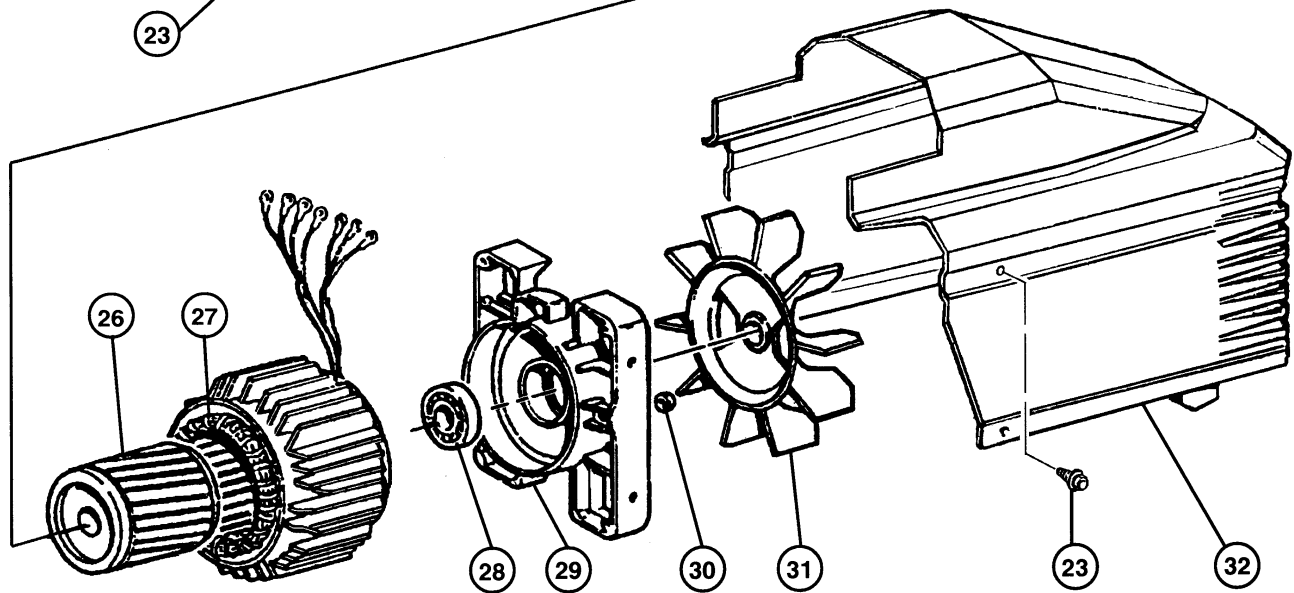
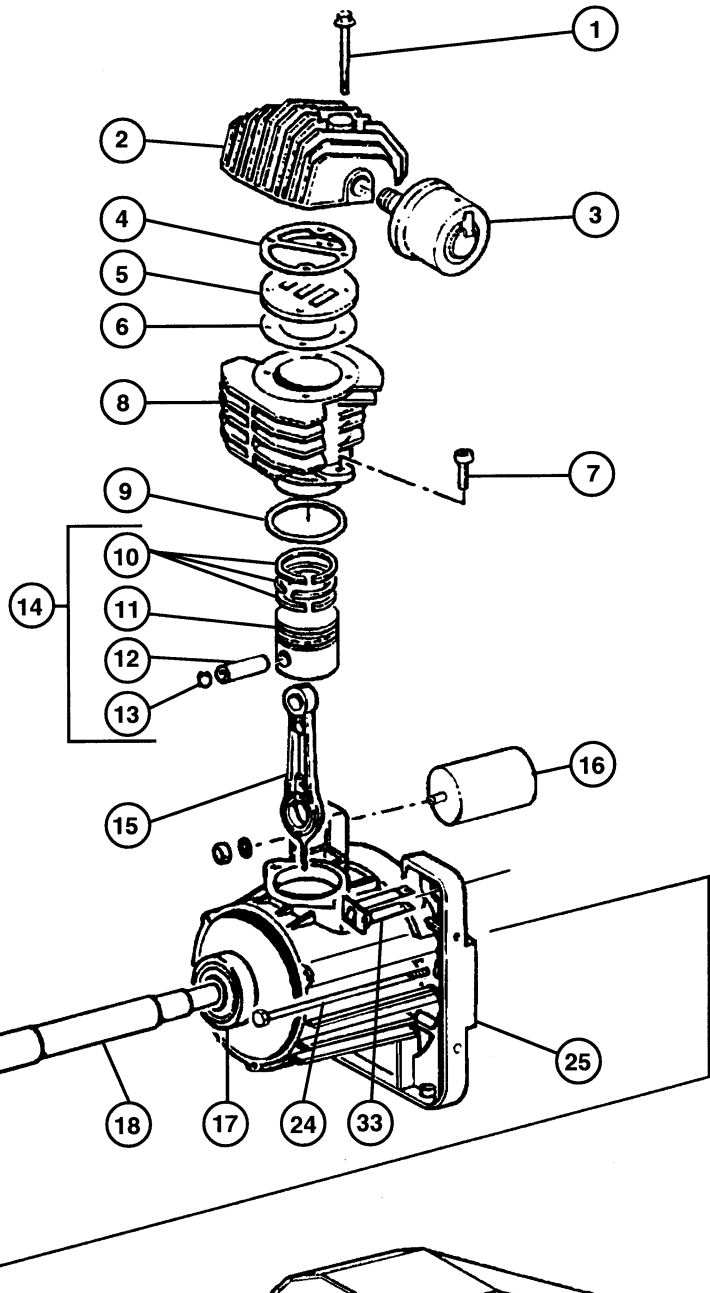
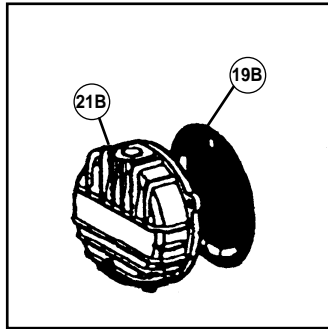


# Rol-Air

SCHEMATIC FOR MODEL  
PMP11MK200PFI





## Associate Engineering Corporation

606 S. Lake Street P.O. Box 346

Hustisford, Wisconsin 53034-0346

Phone: 920-349-3281

Sales Fax: 920.349.3691 Service Fax: 920.349.8861

[www.rolair.net](http://www.rolair.net)

### PARTS LIST FOR PMP11MK200PFI

Schematic #	Description	Part #	Qty.
1	Head Bolt	014002021F	4
2	Head	116001001F	1
3	Intake Filter	317007001F	1
4	Gasket	116022009F	1
5	Valve Plate Assembly	116022100F	1
6	Gasket	116022022F	1
7	Bolt	014011064F	2
8	Cylinder	116001004F	1
9	O-Ring	010114000F	1
10	Ring Set	216022002F	1
11	Piston	116022004F	1
12	Piston Pin	116022040F	1
13	Retaining Ring	015001000F	2
14	Complete Piston Assembly	416022004F	1
15	Connecting Rod	116091021F	1
16	Capacitor	009200035F	1
17	Bearing	033078000F	1
18	Crankshaft	116032006F	1
19A	O-Ring	116001025F	1
19B	Diaphragm	116001025F	1
20	Dipstick	012035000F	1
21A	Crankcase Cover	116022006F	1
21B	Crankcase Cover	016032014F	1
22	Screw	014013024F	1
23	Screw	014006121F	5
24	Through Bolt	116011038F	2
25	Motor Housing	116022051F	1
26	Rotor	116032007F	1
27	Stator	416033641F	1
28	Bearing	033005000F	1
29	End Bell	116011002F	1
30	Nut	014003002F	2
31	Fan	116001003F	1
32	Shroud	116001002F	1
33	Manual Reset	008055000F	1
34	O-Ring	010072000F	1
	GasketSet	216GH0002F	1