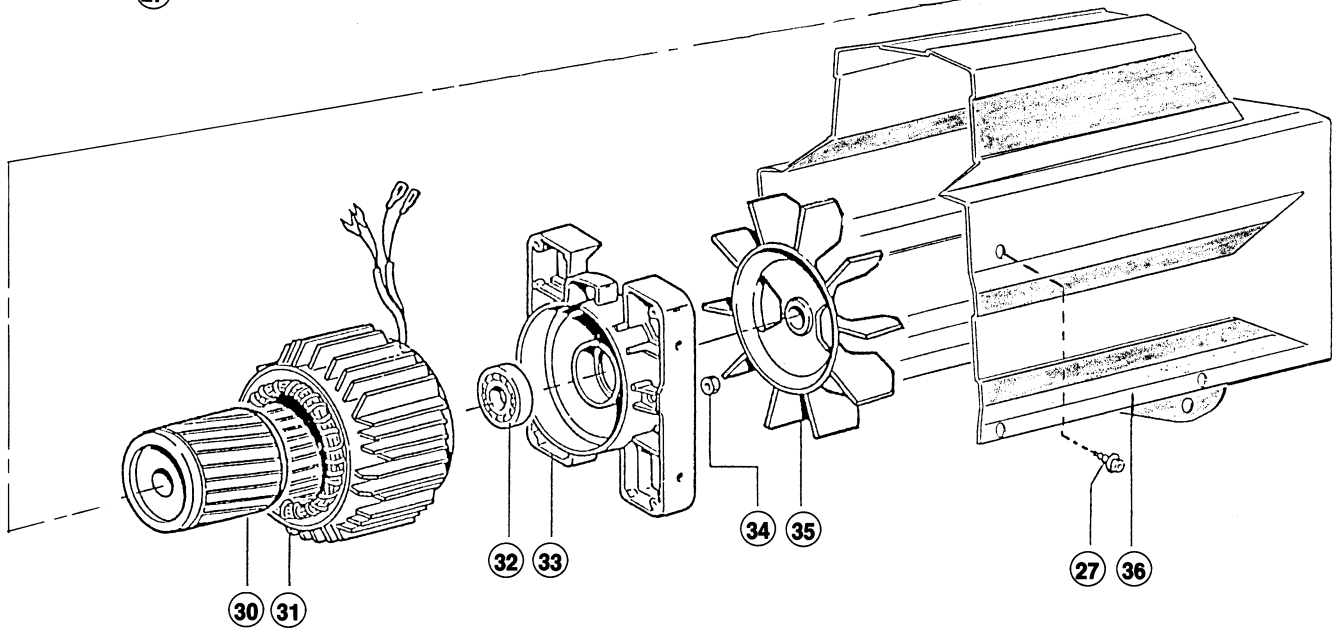
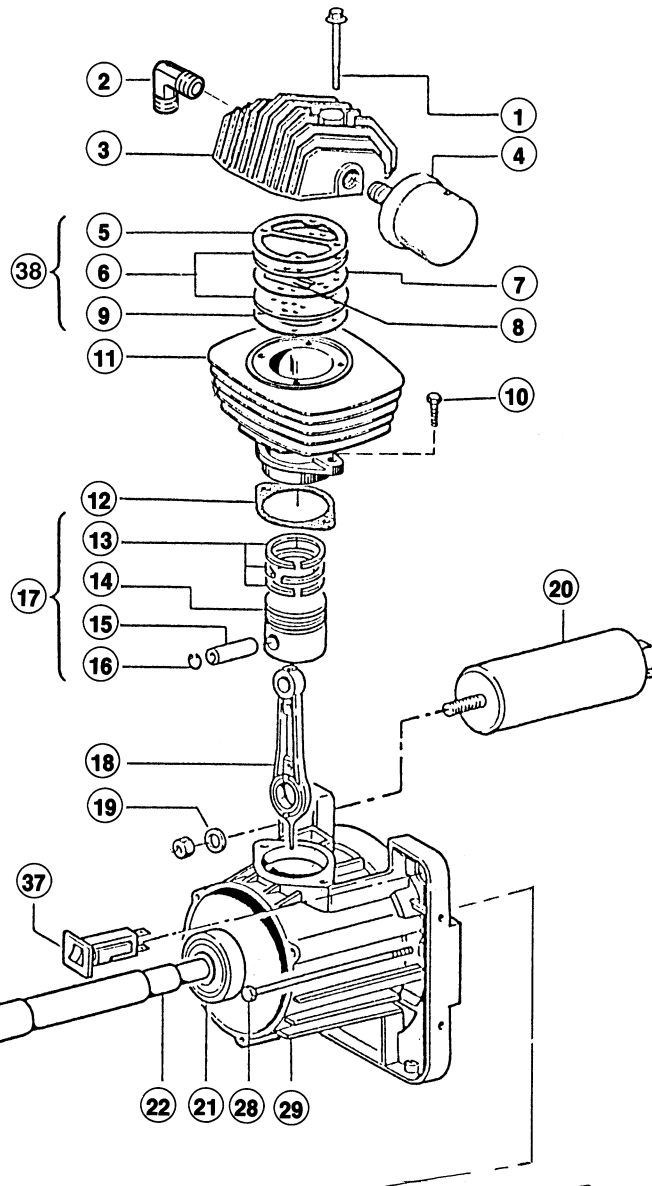
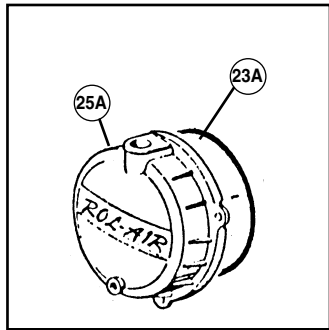


SCHEMATIC FOR PMP11MK200FISH





Associate Engineering Corporation

606 S. Lake Street P.O. Box 346

Hustisford, Wisconsin 53034-0346

Phone: 920-349-3281

Sales Fax: 920.349.3691 Service Fax: 920.349.8861

www.rolair.net

PARTS LIST FOR PMP11MK200FISH

Schematic #	Description	Part #	Qty.
1	Head Bolt and Washer	014002021F	4
2	Brass Elbow (Includes Compression Fitting)	BREL0500X037539	1
3	Head	116001001F	1
4	Filter Assembly	317013000F	1
	Replacement Filter Element	317013004FE	1
5	Gasket	116022009F	1
6	Valve Plate	116022013F	2
7	Gasket	116022012F	1
8	Valve	116022038F	2
9	Gasket	116022010F	1
10	Cylinder Bolt	MIS10049	2
11	Cylinder	116032060F	1
12	Bottom Gasket	116022023F	1
13	Piston Ring Set	216022002F	1
14	Piston	116022004F	1
15	Piston Pin	116022040F	1
16	Snap Ring	015001000F	2
17	Piston Assembly	416022004F	1
18	Connecting Rod Assembly	116091021F	1
19	Washer	014005006F	1
20	Capacitor & Nut	009200035F	1
21	Front Bearing Assembly	033018000F	1
22	Crankshaft	116032006F	1
23A	"O" Ring	010013000F	1
23B	Diaphragm	116001025F	1
24	Oil Dipstick	012035000F	1
25A	Crankcase Cover*	NLA	1
25B	Crankcase Cover	116022006F	1
26	Drain Plug	014013024F	1
27	Screw	014006121F	5
28	Bolt (Motor Housing)	116011038F	2
29	Motor Housing	116022051F	1
30	Rotor	116092003F	1
31	Stator	416092641F	1
32	Rear Bearing Assembly	033005000F	1
33	Motor End Bell	116011002F	1
34	Nut	014003002F	2
35	Fan	116001003F	1
36	Shroud	116001002F	1
37	Manual Reset Button	008030000F	1
38	Valve Plate Assembly	116022100F	1
	Gasket Set	216032001F	1
	Repair Kit includes: Gasket Set, Ring Set, (2) Valves, Filter Element	MK200REPKITLVP	
	Repair Kit includes: Gasket Set, Ring Set, (2) Valve Plates, (2) Valves, Filter Element	MK200REPKITWVP	

*Replace with 116022006F cover and use 116001025F Diaphragm.