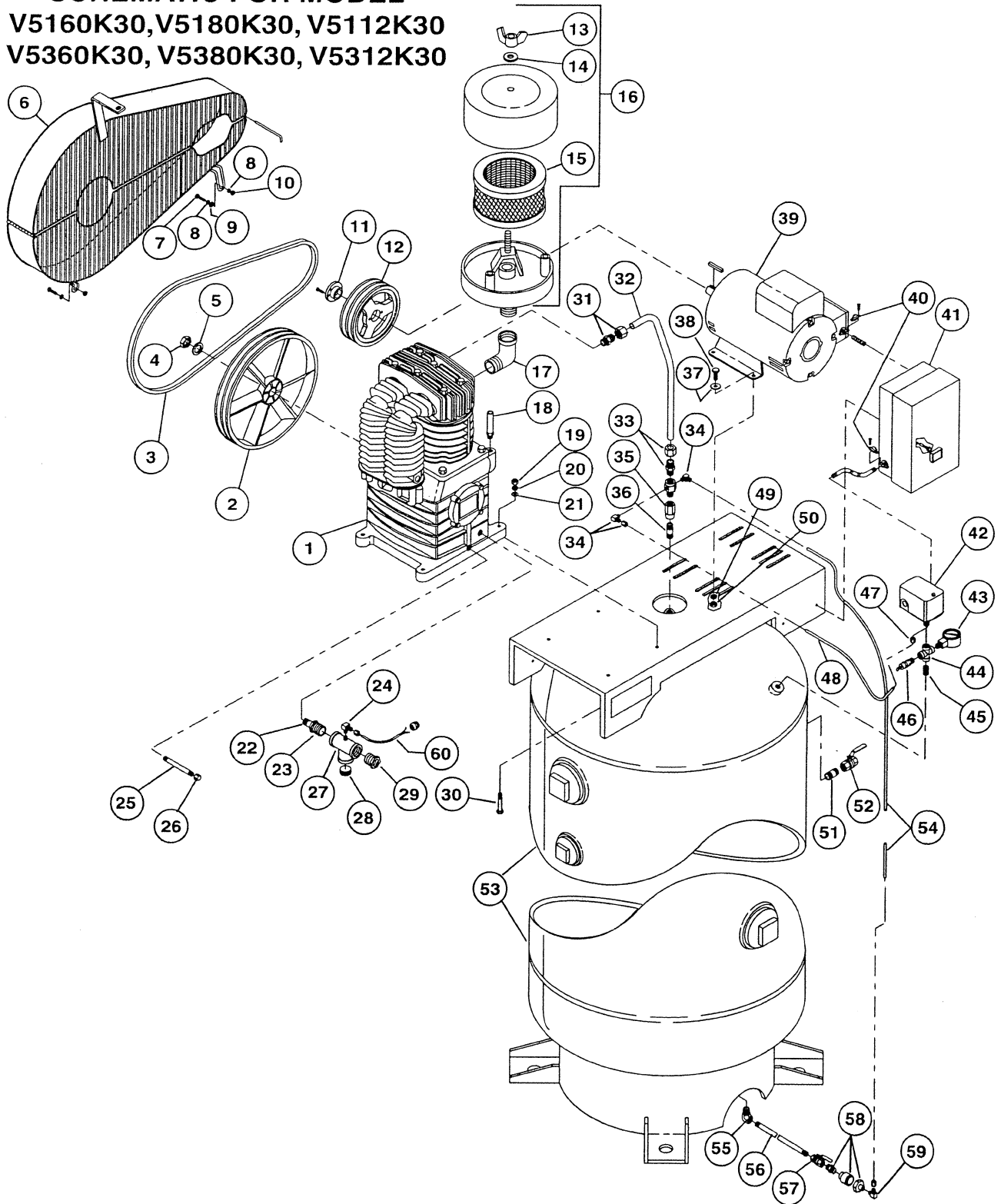


# Rol-Air

SCHEMATIC FOR MODEL  
V5160K30, V5180K30, V5112K30  
V5360K30, V5380K30, V5312K30





**Associate Engineering Corporation**

606 S. Lake Street, P.O. Box 346  
 Hustisford Wisconsin 53034-0346  
 Phone: 920-349-3281 www.rolair.net  
 Sales Fax: 920.349.3691 Service Fax: 920.349.8861

**PARTS LIST FOR MODEL**

**V5160K30, V5360K30**

**V5180K30, V5380K30**

**V5112K30, V5312K30**

Schematic #	Description	Part #	Qty.
1	II Stage Pump w/Flywheel	PMP22K30CH	1
	II Stage Pump Less Flywheel	PMP22K30CHLF	1
2	Flywheel	31003040CH	1
3	Belt	BTA66	2
4	Flywheel Nut	37403780CH	1
5	Flywheel Washer	37502450CH	1
6	Belt Guard	BG128	1
7	1/4" x 1" Bolt	MIS10005	2
8	1/4" Flat Washer	MIS10102	2
9	3/8" Flat Washer	MIS10103	2
10	1/4" Nut	MIS10001	2
11	Bushing	H1X1.125	1
12	Motor Pulley	PU2BK80H	1
13	Wingnut	FSNUT	1
14	Washer	FSWASHER	1
15	Intake Element	431	1
16	Filter/Silencer Assembly	FS14075	1
17	3/4" x 90° Street Elbow	BLEL0750X90S	1
18	3/8" Breather/Oil Fill Plug w/"O" Ring	36507050CH	1
19	3/8" Nut	MIS10040	4
20	3/8" Lock Washer	MIS10100	4
21	3/8" Flat Washer	MIS10103	4
22	1/2" x 2 1/2" Nipple	BLNP0500X2500	1
23	Bushing	BLBS1000X0500	1
24	1/4" x 90° Brass Elbow	BREL0250X025039	1
25	1/4" X 4" Nipple	BLNP0250X4000	1
26	1/4" Black Cap	BLCA0250	1
27	1" Tee	BLTE1000	1
28	1" Countersunk Plug	BLC SPL1000	1
29	Sight Glass (Standard Production)	36500140CH	1
	Gasket (Standard Production)	30500130CH	1
	Sight Glass (As shown on unit w/Low Oil Control)	TF050101AV	1
30	3/8" x 1 1/2" Bolt	MIS10043	4
31	3/4" Brass Straight	BRST0750X075038	1
32	3/4" Copper Tubing	MIS11102A	1.5'
33	3/4" Brass Straight w/1/2" NPT	BRST0750X050038	1
34	1/4" Elbow w/1/8" NPT	BREL0250X012539	1
35	Check Valve (Standard Production)	CV4X4L1	1
	Check Valve (As Shown w/Automatic Tank Drain)	CV4X4L2	1
36	1/2" x 1 1/2" Nipple	BLNP0500X1500	1
37	3/8" Flat Washer	MIS10103	4
38	5/16" x 7/8" Bolt	MIS10022	4
39	5 HP, 1 Phase, 1740 Motor "V51 Series"	MTRG104	1
	5 HP, 3 Phase, 1740 Motor "V53 Series"	MTRG303	1
40	Box Connector	161	2
41	Magnetic Starter, 1 Phase	MAG51F230V	1
	Magnetic Starter, 3 Phase	MAG53F230V	1
42	Pressure Switch	PS2020M	1
43	Gauge – 300 PSI	GA0250300	1
44	1/4" Cross	BLCR0250	1
45	1/4" x 1 1/2" Nipple	BLNP0250X1500	1
46	ASME Safety Valve – 200 PSI	SRV0250A200	1
47	Pressure Switch Relief Valve	PS2020RV	1
48	1/4" Nylon Tubing	178D	1.5'
	1/4" Brass Nut	BRNT0250	2
	1/4" Brass Ring	BRRG0250	2
	1/4" Brass Sleeve	BRSL0250	2
49	5/16" Lock Washer	MIS10099	4
50	5/16" Nut	MIS10020	4
51	1/2" x 2 1/2" Nipple	BLNP0500X2500	1
52	1/2" Shut-Off Valve	SOV0500B	1
53	60 Gallon Tank Assembly	TNK060AV	1
	80 Gallon Tank Assembly	TNK080AV	1
	120 Gallon Tank Assembly	TNK120AV	1
54	1/4" Copper Tubing	MIS11100	(Specify Length)
55	1/4" Street Elbow	BLEL0250X90S	1
56	1/4" Nipple	BLNP0250X4000	2
57	1/4" Shut-Off Valve	SOV0250B	1
58	Automatic Tank Drain	3800H	1
59	1/8" x 1/4" Brass Elbow	BREL0250X012539	1
60	Low Oil Control	162745	1