

# Rol-Air

SCHEMATIC FOR MODELS:

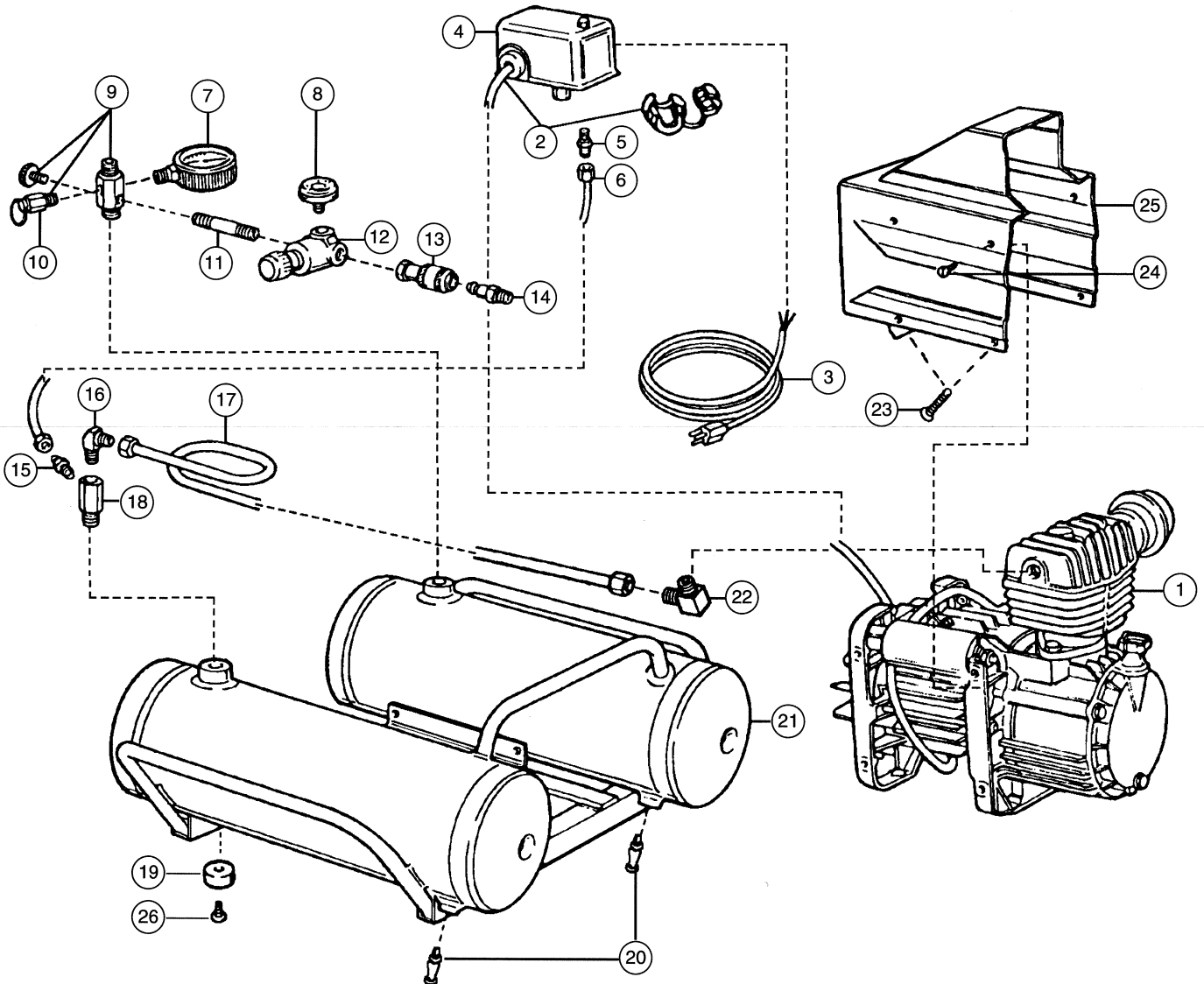
D075HSS4

D075LSS4

OD1500LSS4 (OILLESS)

D1500HSS4

D2000HSS4





# Associate Engineering Corporation

606 S. Lake Street, P. O. Box 346  
 Hustisford, Wisconsin 53034-0346  
 Phone: 920-349-3281  
 Sales Fax: 920.349.3691 • Service Fax: 920.349.8861  
[www.rolair.net](http://www.rolair.net)

## PARTS LIST FOR MODELS

**D075HSS4**  
**D075LSS4**

**OD1500LSS4 (OILLESS)**  
**D1500HSS4**  
**D2000HSS4**

Schematic #	Description	Part #	Qty.
1	1 HP Pump/Motor — Model D075HSS4 1 HP Pump/Motor — Model D075LSS4 2 HP Pump/Motor — Model OD1500LSS4* 2 HP Pump/Motor — Model D1500HSS4 2½ HP Pump/Motor — Model D2000HSS4	PMP11MK100FI PMP11MK105FI PMP11MK150FI PMP11MK200FI PMP11MK255FI	1 1 1 1 1
2	¾" Straight Box Connector	160	2
3	8' 12-3 Cord w/Plug — Model D2000HSS4	170	1
	6' 16-3 Cord w/Plug — All Other Models	176	1
4	Pressure Switch (Includes PS2020RV)	PS2020	1
5	Relief Valve	PS2020RV	1
6	¼" Nylon Tube	178D	1
7	Pressure Gauge	GA0250200	1
8	Pressure Gauge	GA0125200	1
9	Brass Manifold (Includes Safety Relief Valve)	154A	1
10	Safety Relief Valve	154B	1
11	¼" Nipple	BLNP0250X2500	1
12	¼" Regulator	REG0250M	1
13	Quick Disconnect	308	1
14	Male Coupler Plug	310	1
15	Brass Straight Connector (D075HSS4 & D075LSS4) Includes Compression Fitting	BRST0250X012538	1 1
16	Brass Elbow (Includes Compression Fitting)	BREL0500X037539	1
17	½" Copper Tube	Specify Model	1
18	Check Valve (D075HSS4, D075LSS4) (OD1500LSS4*, D1500HSS4, D2000HSS4)	CV3X4T CV3X4TWB	1 1
19	Rubber Feet	219B	4
20	¼" Drain Cock	132B	2
21	Tank Assembly	Specify Model	1
22	Brass Elbow (Includes Compression Fitting)	BREL0500X037539	1
	Brass Straight Fitting (OD1500LSS4* & D2000HSS4)	BRST0500X050038	1
23	M5 x 16mm Hex Head Screw	MIS10093C	4
24	½" Hex Head Screw	014006121F	2
25	Shroud (OD1500LSS4* Only) (D2000HSS4 Only) (All Other Models)	116004006F 116091007F 199657000F	1 1 1
26	Screw	MIS10008	4

(\*) Oilless Model