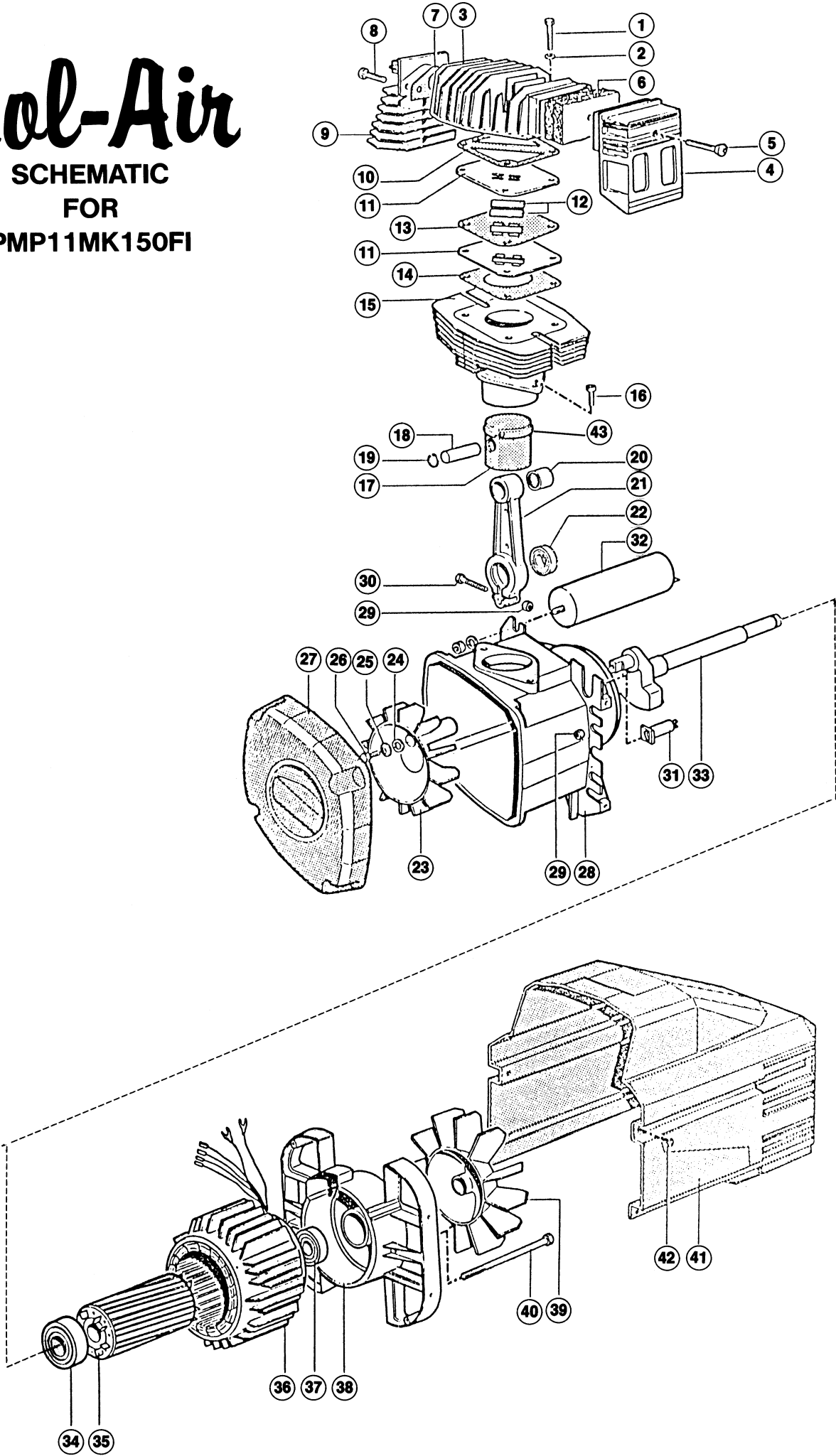


# Rol-Air

SCHEMATIC  
FOR  
PMP11MK150FI





## Associate Engineering Corporation

606 S. Lake Street P.O. Box 346  
Hustisford, Wisconsin 53034-0346

Phone: 920-349-3281

Sales Fax: 920.349.3691 Service Fax: 920.349.8861

[www.rolair.net](http://www.rolair.net)

### PARTS LIST FOR PMP11MK150FI

Schematic #	Description	Part #	Qty.
1	Head Bolt	014002043F	4
2	Washer	014005002F	4
3	Head Only	116091003F	1
4	Filter Cover	116091009F	1
5	Bolt	014020001F	1
6	Filter Element	116091018F	1
7	Gasket	116091017F	1
8	Bolt	MIS10049	2
9	Discharge Manifold	116091024F	1
10	Gasket	116091014F	1
11	Valve Plate	116004010F	2
12	Valve	116004011F	2
13	Gasket	116091013F	1
14	Gasket	116002005F	1
15	Cylinder	116004040F	1
16	Bolt	014011064F	2
17	Piston (Includes Ring)	116004012F	1
18	Piston Pin	116004014F	1
19	Snap Ring	015001000F	2
20	Bushing	033048000F	1
21	Connecting Rod	116004002F	1
22	Ball Bearing	033047000F	1
23	Fan	116004004F	1
24	Washer	014005008F	1
25	Spring	014005041F	1
26	Bolt	014001023F	1
27	Crankcase End Cover	116004005F	1
28	Crankcase	116004001F	1
29	Nut	014003002F	3
30	Bolt	014011044F	1
31	Reset Button	008030000F	1
32	Capacitor and Nut	009200038F	1
33	Crankshaft	116004008F	1
34	Front Bearing Assembly	033018000F	1
35	Rotor	116002002F	1
36	Stator	416004641F	1
37	Rear Bearing Assembly	033005000F	1
38	Motor End Bell	116011002F	1
39	Fan	116004007F	1
40	Bolt	116042020F	2
41	Shroud	116004006F	1
42	Screw	014006121F	1
43	Piston Ring	116004017F	1
	Gasket Set	216004002F	1