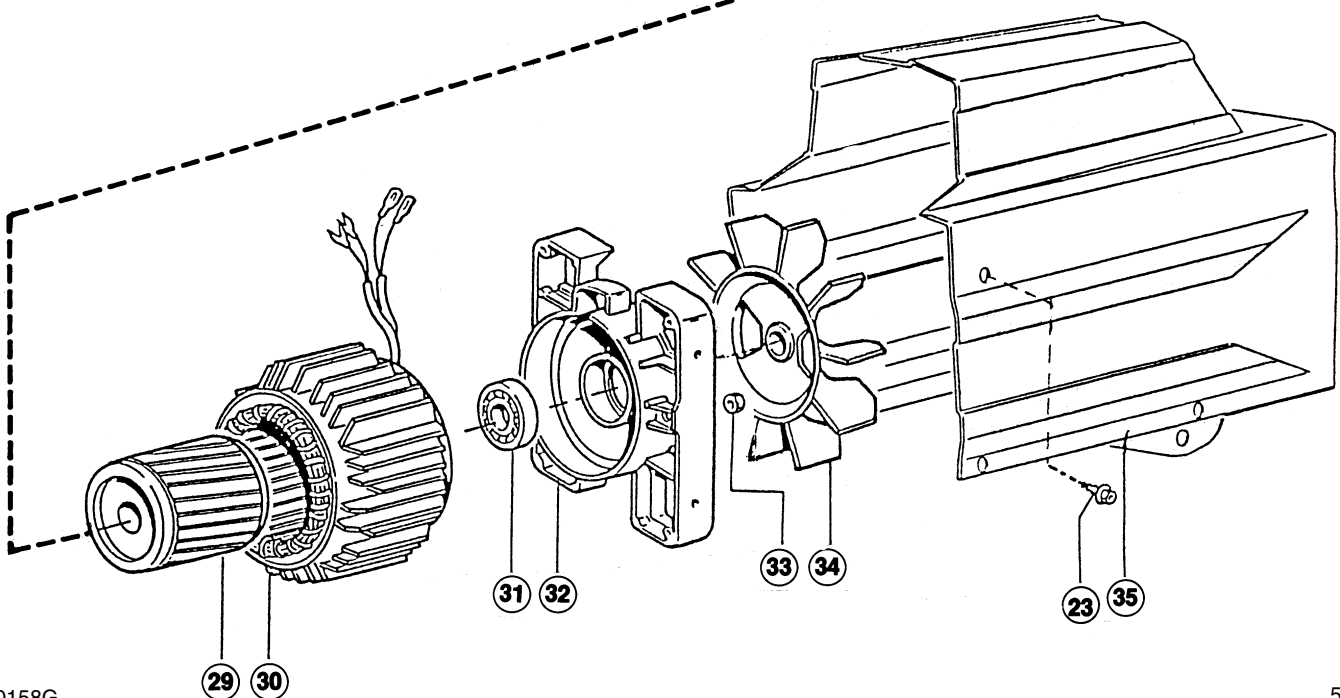
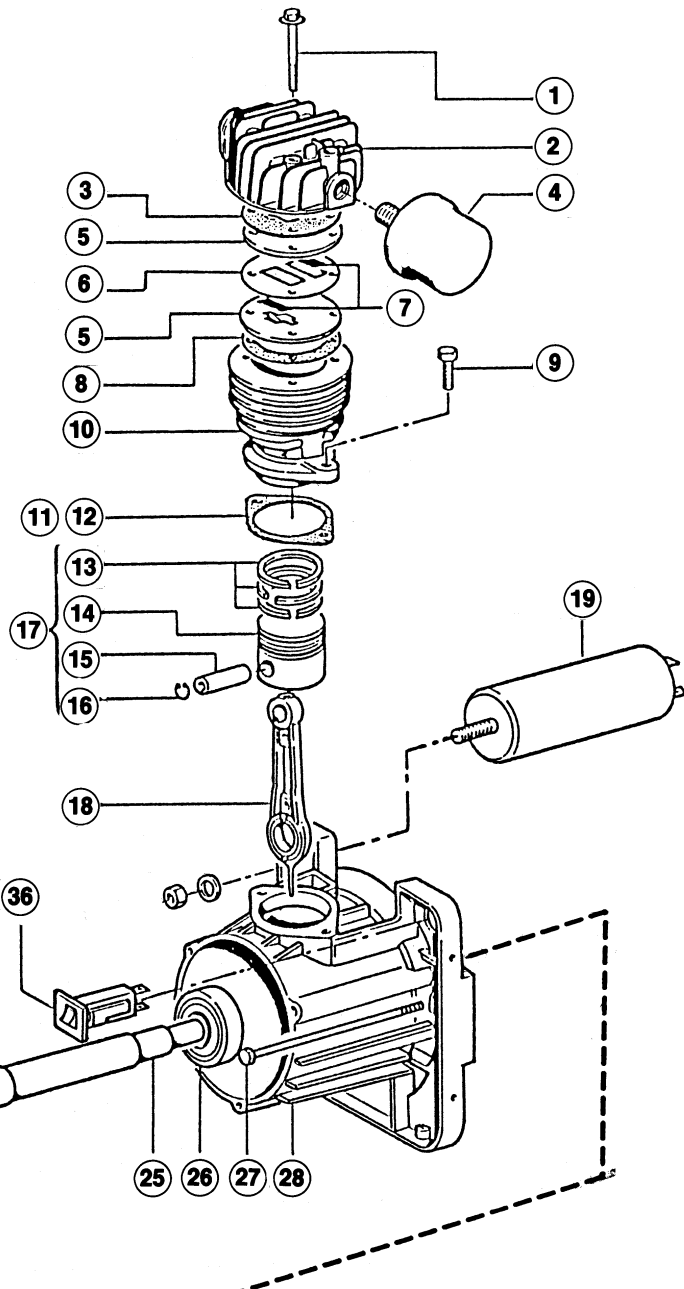
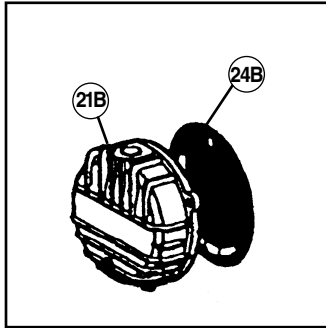


Rol-Air

SCHEMATIC FOR PMP11MK100FI





Associate Engineering Corporation

606 S. Lake Street P.O. Box 346

Hustisford, Wisconsin 53034-0346

Phone: 920-349-3281

Sales Fax: 920.349.3691 Service Fax: 920.349.8861

www.rolair.net

PARTS LIST FOR MODEL PMP11MK100FI

Schematic #	Description	Part #	Qty.
1	Head Bolt and Washer	014002021F	4
2	Head	116034010F	1
3	Head Gasket	116011037F	1
4	Metal Filter Assembly	317013000F	1
	Filter Element	317013004FE	1
5	Valve Plate	116011020F	2
6	Valve Plate Gasket	113113036F	1
7	Valve	113113005F	2
8	Cylinder Gasket	113113034F	1
9	Cylinder Bolt	MIS10049	2
10	Cylinder	116034006F	1
11	Gasket - if mfd. before 6/97	116022023F	1
12	O-Ring - if mfd. after 6/97	010114000F	1
13	Piston Ring Set	216011003F	1
14	Piston	116011027F	1
15	Piston Pin	113113003F	1
16	Snap Ring	015001000F	2
17	Piston Assembly	416011027F	1
18	Connecting Rod Assembly	116091021F	1
19	Capacitor, Nut and Washer	009200026F	1
20	Oil Dipstick	012036000F	1
21A	Crankcase	116022006F	1
21B	Crankcase	016032014F	1
22	Drain Plug	014013024F	1
23	Screw	014006121F	11
24A	Gasket	010013000F	1
24B	Diaphragm	116001025F	1
25	Crankshaft	116034004F	1
26	Front Bearing Assembly	033018000F	1
27	Bolt (Motor Housing)	116011038F	2
28	Motor Housing	116022051F	1
29	Rotor	116034001F	1
30	Stator	416085641F	1
31	Rear Bearing Assembly	033005000F	1
32	Motor End Bell	116011002F	1
33	Nut	014003002F	2
34	Fan	116001003F	1
35	Shroud	119100070F	1
36	Manual Reset Button	008015000F	1
	Gasket Set	216085001F	1