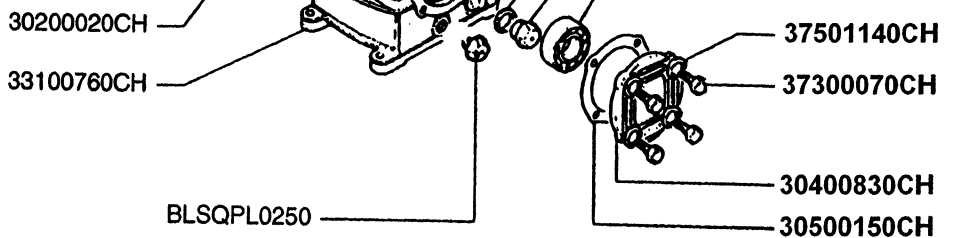
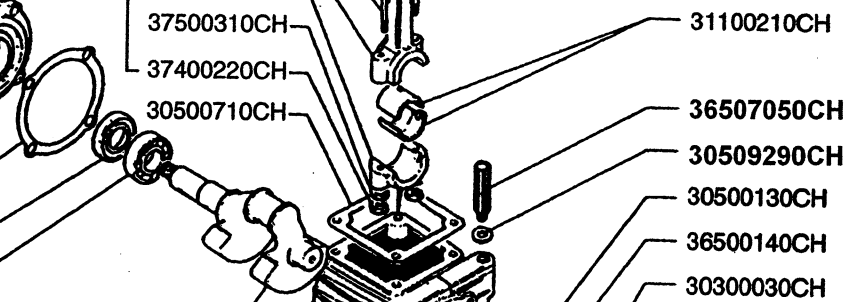
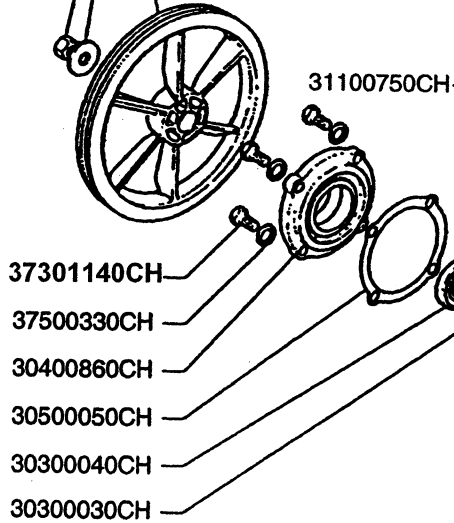
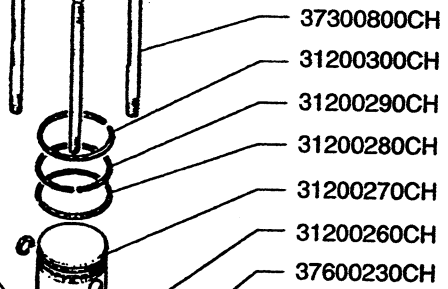
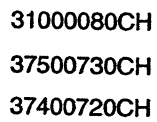
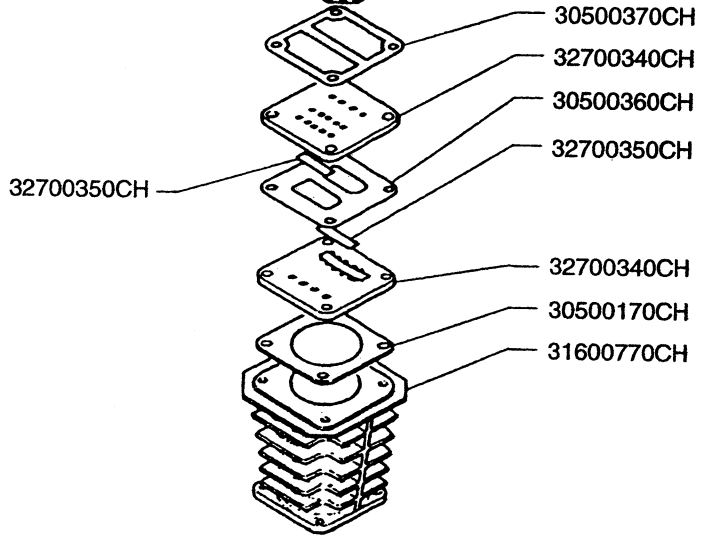
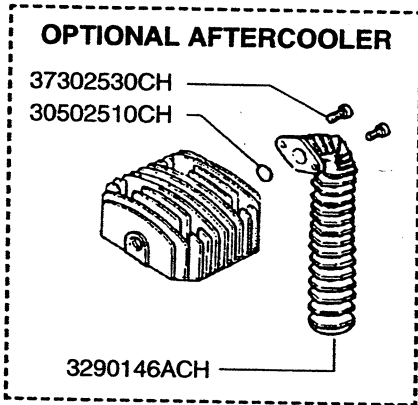
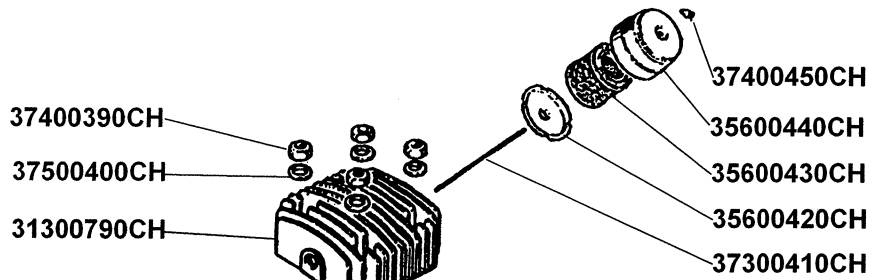


SCHEMATIC FOR PMP11K8





Associate Engineering Corporation

606 S. Lake Street, P.O. Box 346

Hustisford Wisconsin 53034-0346

Phone: 920-349-3281

Sales Fax: 920.349.3691 Service Fax: 920.349.8861

www.rolair.net

PARTS LIST FOR PMP11K8

Description	Part #	Qty.
Crankshaft	30200020CH	1
Ball Bearing	30300030CH	2
Oil Seal	30300040CH	1
Bearing Carrier	30400830CH	1
Bearing Carrier	30400860CH	1
Gasket	30500050CH	1
Gasket	30500130CH	1
Gasket	30500150CH	1
Gasket	30500170CH	1
Gasket	30500360CH	1
Gasket	30500370CH	1
Gasket	30500710CH	1
O-Ring	30509290CH	1
Flywheel	31000080CH	1
Bearing Shell	31100210CH	1
Bushing*	31100240CH	1
Connecting Rod w/upper bushing	31100750CH	1
Piston Pin	31200260CH	1
Piston	31200270CH	1
Slotted Oil Ring	31200280CH	1
Stepped Scraper Ring	31200290CH	1
Compression Ring	31200300CH	1
Cylinder Head	31300790CH	1
Cylinder	31600770CH	1
Valve Plate	32700340CH	2
Valve	32700350CH	2
Crankcase	33100760CH	1
Filter Base	35600420CH	1
Filter Element	35600430CH	1
Filter Cover	35600440CH	1
Oil Sight Gauge	36500140CH	1
3/8" Breather/Oil Fill Plug	36507050CH	1
Bolt	37300250CH	2
Tension Rod	37300410CH	1
Cylinder/Head Bolt	37300800CH	4
Bolt	37301140CH	8
Nut	37400220CH	2
Nut	37400390CH	4
Wing Nut	37400450CH	1
Nut	37400720CH	1
Washer	37500310CH	2
Washer	37500330CH	8
Washer	37500400CH	4
Washer	37500730CH	1
Snap Ring	37600230CH	2
1/4" Square Head Plug	BLSQPL0250	1
Ring Set	K8RINGS	1
Gasket Set	K8GASKETS	1
Valve Plate Assembly	800VK8	1
OPTIONS: O-Ring	30502510CH	1
Aftercooler	3290146ACH	1
Bolt	37302530CH	2

*Bushing is not machined to fit piston pin if ordered separate from connecting rod.