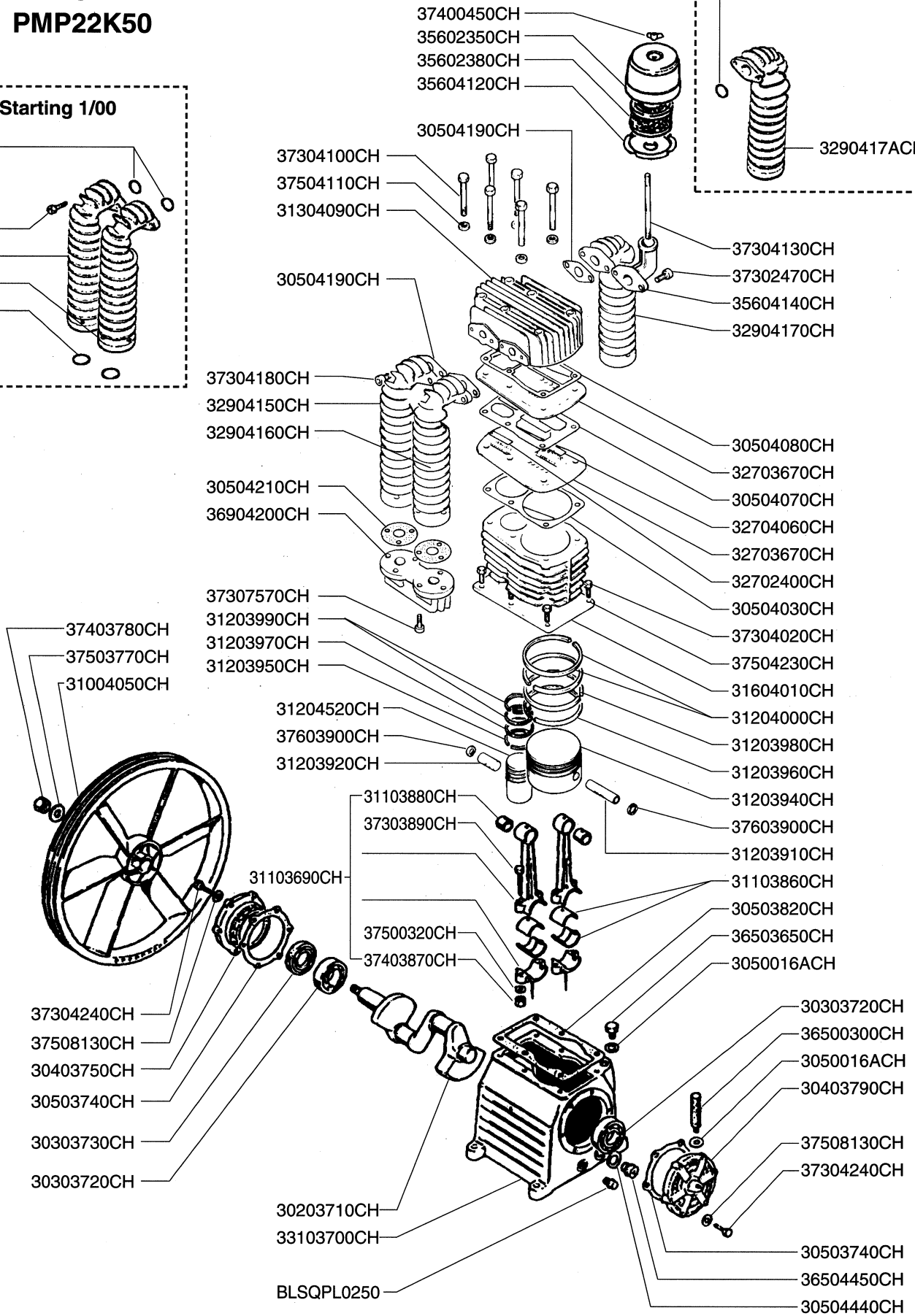
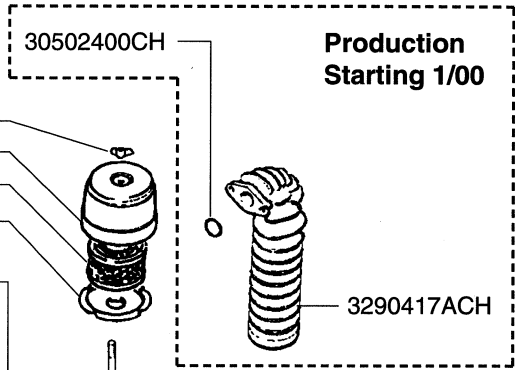
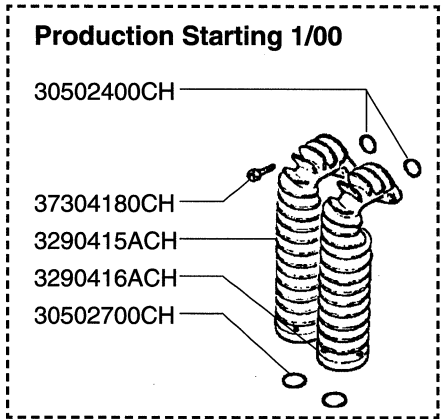


SCHEMATIC FOR PMP22K50





Associate Engineering Corporation

606 S. Lake Street, P. O. Box 346

Hustisford, Wisconsin 53034-0346

Phone: 920-349-3281

Sales Fax: 920.349.3691 • Service Fax: 920.349.8861

www.rolair.net

PARTS LIST FOR PMP22K50

Description	Part #	Qty.
Crankshaft	30203710CH	1
Ball Bearing	30303720CH	2
Oil Seal	30303730CH	1
Bearing Carrier	30403750CH	1
Bearing Carrier	30403790CH	1
3/8" Hole Gasket	3050016ACH	2
Gasket	30503740CH	2
Gasket	30503820CH	1
Gasket	30504030CH	1
Gasket	30504070CH	1
Gasket	30504080CH	1
Gasket	30504190CH	3
Gasket	30504210CH	2
Gasket	30504440CH	1
Flywheel	31004050CH	1
Connecting Rod w/ upper bushing	31103690CH	2
Bearing Shell	31103860CH	2
Bushing*	31103880CH	2
Piston Pin LP	31203910CH	1
Piston Pin HP	31203920CH	1
Piston LP	31203940CH	1
Slotted Oil Ring HP	31203950CH	1
Slotted Oil Ring LP	31203960CH	1
Stepped Scraper Ring HP	31203970CH	1
Stepped Scraper Ring LP	31203980CH	1
Compression Ring HP	31203990CH	2
Compression Ring LP	31204000CH	2
Piston HP	31204520CH	1
Cylinder Head	31304090CH	1
Cylinder	31604010CH	1
Valve HP	32702400CH	2
Valve Plate	32703670CH	2
Valve LP	32704060CH	2
Left Cooler	32904150CH	1
Right Cooler	32904160CH	1
Aftercooler	32904170CH	1
Crankcase	33103700CH	1
Filter Cover	35602350CH	1
Filter Element	35602380CH	1
Filter Base	35604120CH	1
Elbow	35604140CH	1
3/8" Breather/Oil Fill Plug	36500300CH	1
Oil Plug	36503650CH	1
Oil Sight Gauge	36504450CH	1
Connector 1-2	36904200CH	1
Bolt	37302470CH	2
Bolt	37303890CH	4
Bolt	37304020CH	6
Bolt	37304100CH	6
Tension Rod	37304130CH	1
Bolt	37304180CH	6
Bolt	37304240CH	12
Bolt	37307570CH	6
Wing Nut	37400450CH	1
Nut	37403780CH	1
Nut	37403870CH	4
Washer	37500320CH	4
Washer	37508130CH	12
Washer	37503770CH	1
Washer	37504110CH	6
Washer	37504230CH	6
Snap Ring	37603900CH	4
1/4" Square Head Plug	BLSQPL0250	1
Ring Set	K50RINGS	1
Gasket Set	K50GASKETS	1
Valve Plate Assembly	5000VK50	1
Intercooler/Aftercooler Parts Starting 1/00		
"O" Ring - Intercooler & Aftercooler / Head	30502400CH	3
"O" Ring - Intercooler/Connector	30502700CH	2
Left Intercooler	3290415ACH	1
Right Intercooler	3290416ACH	1
Aftercooler	3290417ACH	1
Bolt	37304180CH	6

* Bushing is not machined to fit piston pin if ordered separate from connecting rod.