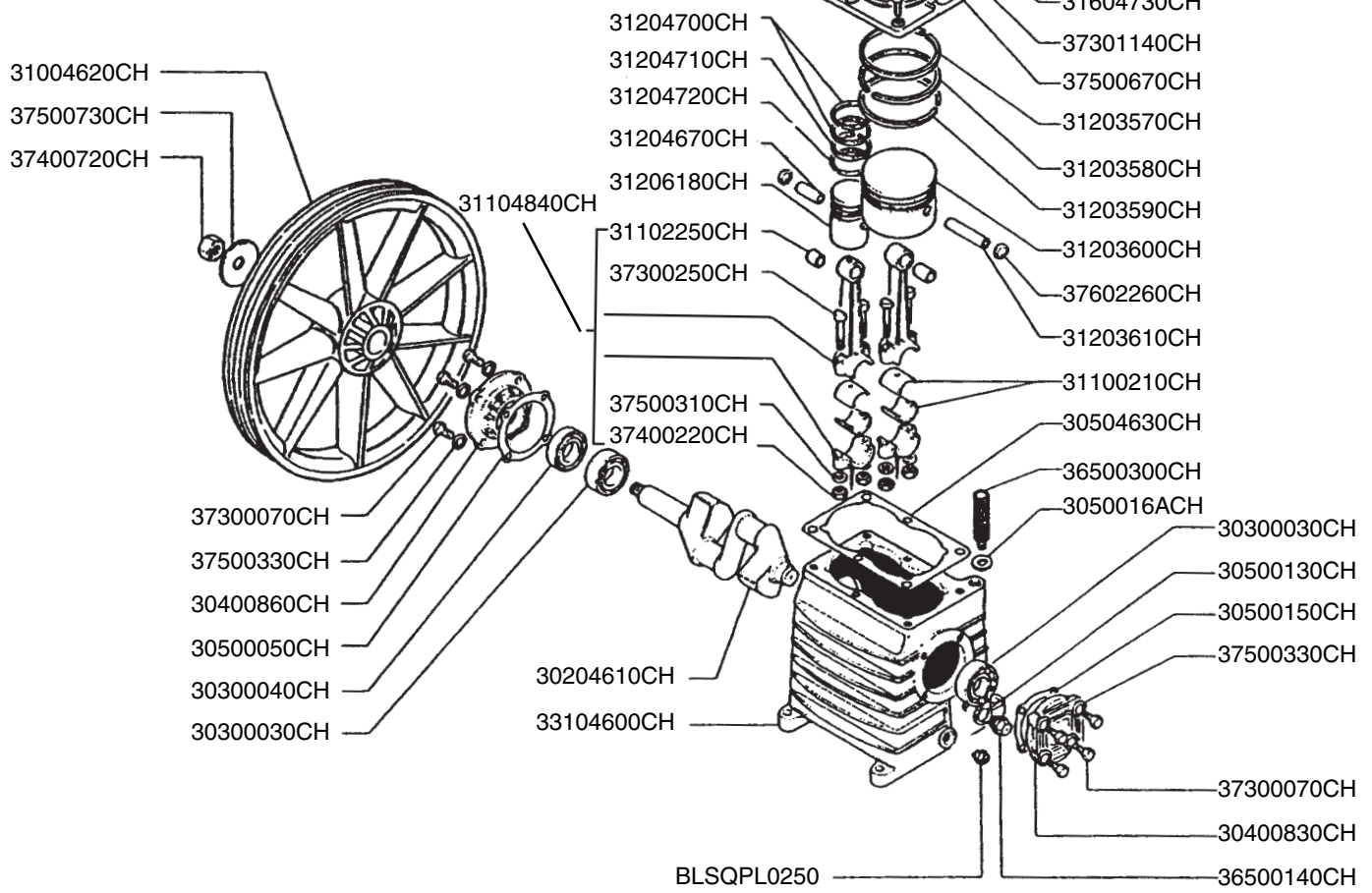
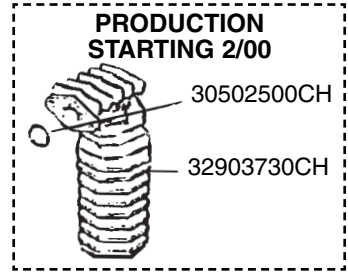
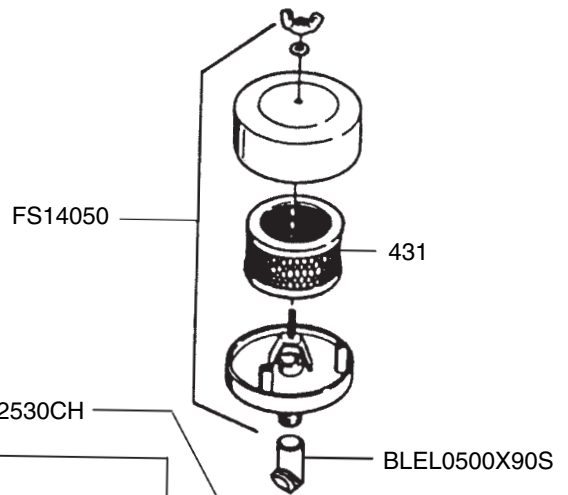
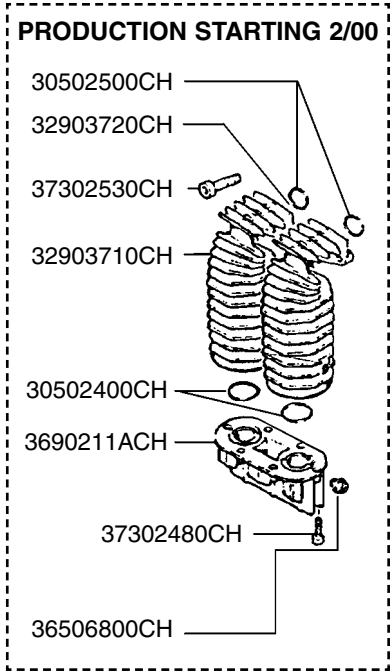


# SCHEMATIC FOR PMP22K25





## Associate Engineering Corporation

606 S. Lake Street P.O. Box 346  
 Hustisford, Wisconsin 53034-0346  
 Phone: 920-349-3281  
 Sales Fax: 920.349.3691  
 Service Fax: 920.349.8861

### PARTS LIST FOR PMP22K25

Description	Part #	Qty.
Crankshaft	30204610CH	1
Ball Bearing	30300030CH	2
Oil Seal	30300040CH	1
Bearing Carrier	30400830CH	1
Bearing Carrier	30400860CH	1
Gasket	30500050CH	1
Gasket	30500130CH	1
Gasket	30500150CH	1
3/8" Hole Gasket	3050016ACH	1
Gasket	30501490CH	3
Gasket	30504630CH	1
Gasket	30504740CH	1
Gasket	30504760CH	1
Gasket	30504770CH	1
Flywheel	31004620CH	1
Bearing Shell	31100210CH	2
Bushing*	31102250CH	2
Connecting Rod w/ upper bushing	31104840CH	2
Compression Ring LP	31203570CH	1
Stepped Scraper Ring LP	31203580CH	1
Slotted Oil Ring LP	31203590CH	1
Piston LP	31203600CH	1
Piston Pin LP	31203610CH	1
Piston Pin HP	31204670CH	1
Compression Ring HP	31204700CH	2
Stepped Scraper Ring HP	31204710CH	1
Slotted Oil Ring HP	31204720CH	1
Piston HP	31206180CH	1
Cylinder Head	31304890CH	1
Cylinder	31604730CH	1
Valve HP	32700350CH	2
Valve LP	32703560CH	2
Valve Plate	32704750CH	2
Intercooler/Aftercooler	32901460CH	3
Crankcase	33104600CH	1
Oil Sight Gauge	36500140CH	1
3/8" Breather/Oil Fill Plug	36500300CH	1
Intercooler Connector	36904930CH	1
Bolt	37300070CH	8
Bolt	37300250CH	4
Bolt	37301130CH	6
Bolt	37301140CH	6
Bolt	37302530CH	6
Nut	37400220CH	4
Nut	37400720CH	1
Nut	37404940CH	2
Washer	37500310CH	4
Washer	37500330CH	8
Washer	37500400CH	6
Washer	37500670CH	6
Washer	37500730CH	1
Snap Ring	37602260CH	4
Filter Element	431	1
1/2" 90° Street Elbow	BLEL0500X90S	1
1/4" Square Head Plug	BLSQPL0250	1
Filter Assembly	FS14050	1
Ring Set	K25RINGS	1
Gasket Set	K25GASKETS	1
Valve Plate Assembly	2500VK25	1
<b>INTERCOOLER/AFTERCOOLER PARTS STARTING 2/00</b>		
"O" Ring – Intercooler/Connector	30502400CH	2
"O" Ring – Intercooler & Aftercooler/Head	30502500CH	3
Left Intercooler	32903710CH	1
Right Intercooler	32903720CH	1
Aftercooler	32903730CH	1
Plug	36506800CH	1
Intercooler Connector	3690211ACH	1
Bolt	37302480CH	6
Bolt	37302530CH	6

\*Bushing is not machined to fit piston pin if ordered separate from connecting rod.