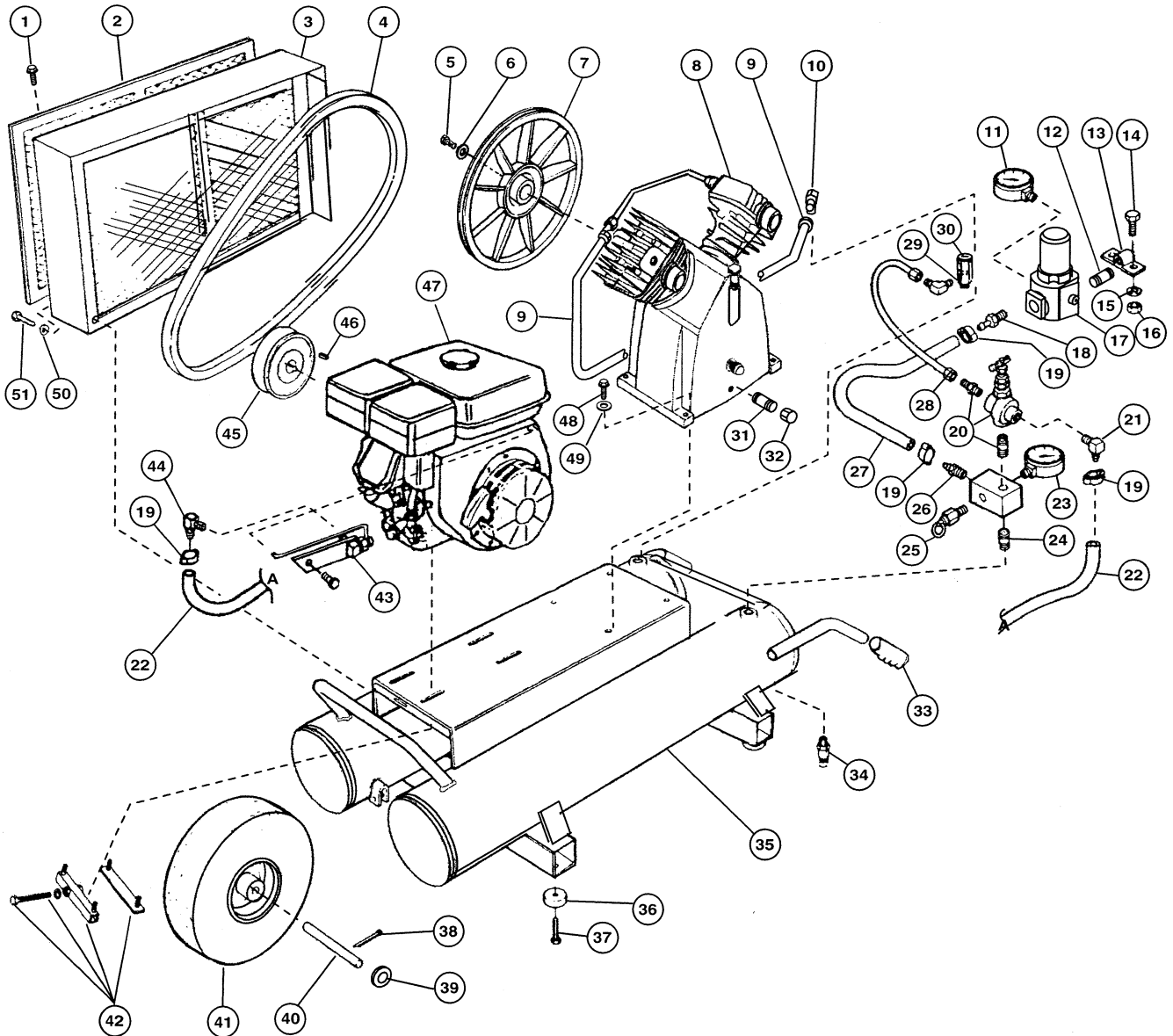


# Rol-Air

SCHEMATIC FOR MODEL  
FC4490H





**Associate Engineering Corporation**

606 S. Lake Street, P.O. Box 346

Hustisford Wisconsin 53034-0346

Phone: 920-349-3281

Sales Fax: 920.349.3691 Service Fax: 920.349.8861

[www.rolair.net](http://www.rolair.net)

**PARTS LIST FOR MODEL**

**FC4490H**

Schematic #	Description	Part #	Qty.
1	Spin Lock Bolt	MIS10094	5
2	Belt Guard Cover	BG567	1
3	Belt Guard Base	BG566	1
4	Belt	BT4L490	1
5	Bolt (Left Hand Thread)	FC014001052	1
6	Washer	FC014005001	1
7	Flywheel	FC013181004	1
8	Twin Cylinder Pump w/Fly	PMP12SKM12S	1
9	Discharge Tube	FC4490-DISCH TB	1
10	Elbow	BREL0375X050039	1
11	Pressure Gauge	GA0250200	1
12	3/8" x 1 1/2" Nipple	BLNP0375X1500	1
13	Accessory Bracket	210	1
14	5/16" x 7/8" Bolt	MIS10022	2
15	5/16" Lock Washer	MIS10099	2
16	5/16" Nut	MIS10020	2
17	Regulator	REG0375	1
18	3/8" Brass Hose Coupler	BRCP0375X0375H12	1
19	Hose Clamps	177A	2
20	Pilot Unloader Valve	131B	1
21	Brass Elbow	BREL0250X0125H16	1
22	1/4" Rubber Hose - 36"	178	3'
23	Pressure Gauge	GA0250200	1
24	Nipple	BLNP0500X1500	1
25	Safety Relief Valve	SRV0250N165	1
26	3/8" Brass Hose Coupler	BRCP0375X0375H12	1
27	3/8" Rubber Hose - 16"	178A	1.34'
28	1/4" Nylon Tubing - 14"	178D	1.2'
	Brass Nut	BRNT0250	2
	Brass Ring	BRRG0250	2
	Brass Sleeve (Insert)	BRSL0250	2
29	Brass Elbow	BREL0250X012539	1
30	Check Valve	CV4X4TA	1
31	Nipple	BLNP0250X1500	1
32	1/4" Cap	BLCA0250	1
33	Handle Grip	328	2
34	1/4" Drain Cock	132B	2
35	Tank Assembly	TNKASYFC4490H	1
36	Rubber Foot	219	4
37	1/4" x 1" Self-Tapping Screw	MIS10008	4
38	Cotter Pin	181A	2
39	Machine Bushing	MIS10104	6
40	Axle	181	1
41	Wheel	WLS40	1
42	Schmidt Belt-Tightening Kit	SBT5HP-ANGLE	1
43	Throttle Control Kit	192EGX160K1QX	1
44	Brass Hose Coupler	BREL0250X0125H16	1
45	Engine Pulley	PUAK44X0750	1
46	Key	MIS10095C	1
47	Engine	ENG05H01	1
48	5/16" X 1 1/2" Bolt	MIS10027	4
49	5/16" Lock Washer	MIS10099	4
50	1 3/8" Flat Washer	MIS10108	2
51	5/16" x 1 1/4" Bolt	MIS10023	2