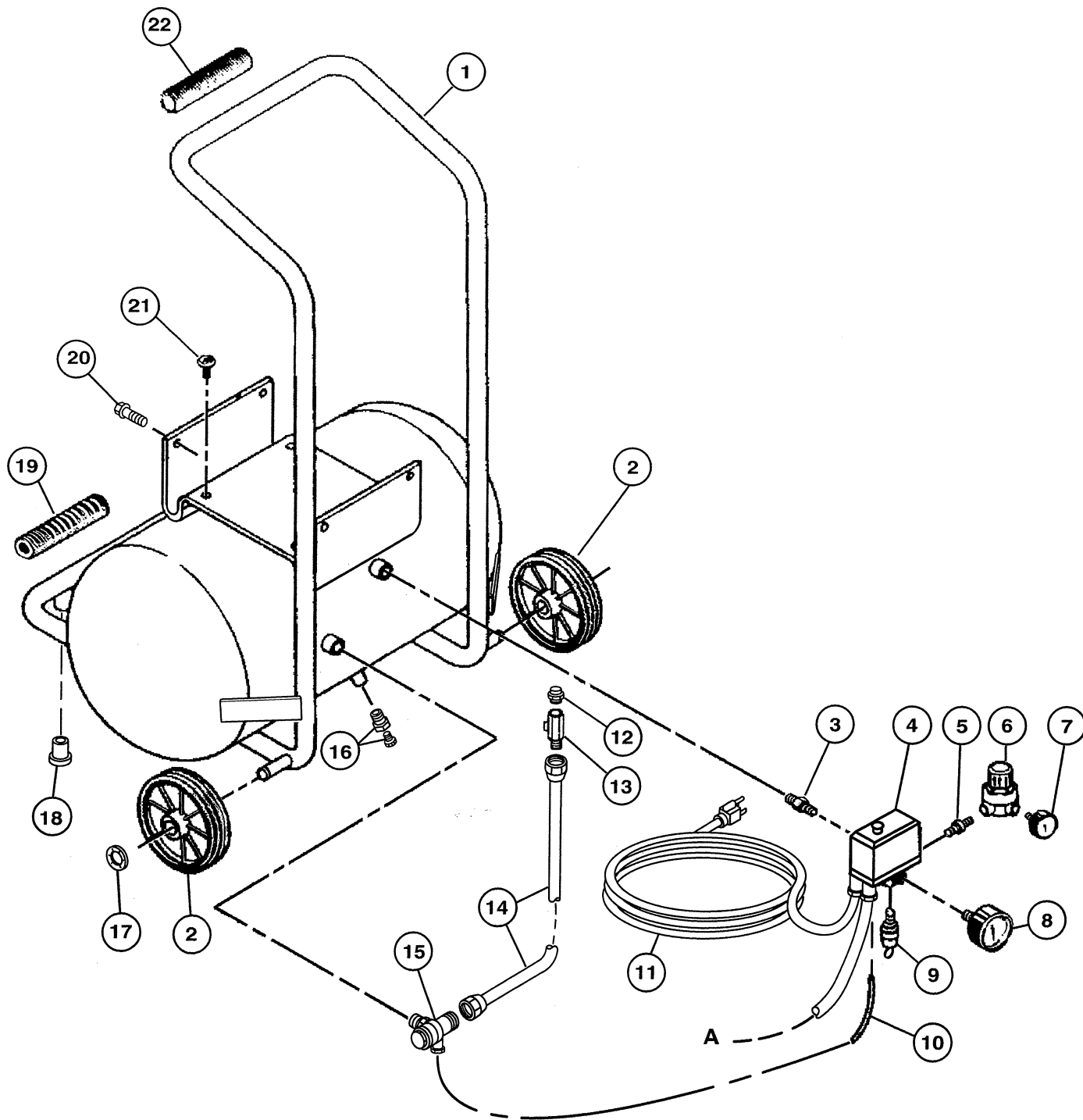


# Rol-Air

SCHEMATIC FOR MODEL  
FC2002HBP6





Associate Engineering Corporation  
606 S. Lake Street, P O Box 346  
Hustisford Wisconsin 53034-0346  
Phone: 920-349-3281  
Service Fax: 920.349.8861 Sales Fax: 920.349.3691  
[www.rolair.net](http://www.rolair.net)

### PARTS LIST FOR FC2002HBP6

Schematic #	Description	Part #	Qty.
1	Tank Assembly	FC166Z51000	1
2	Wheel	FC020001000	2
3	Nipple	FC011017000	1
4	Pressure Switch	FC321075000	1
5	Nipple	FC011017000	1
6	Regulator	FC319108000	1
7	Gauge – Line	FC330006000	1
8	Gauge – Tank	FC330052000	1
9	Safety Valve	FC047026000	1
10	Nylon Tubing	FC046001000	1
11	Cord w/Plug	FC164A08400	1
12	Bleeder Valve	FC011158000	1
13	Discharge Tee	FC199617000	1
14	Discharge Tube	FC102GQ0010	1
15	Check Valve	FC347043000	1
16	Drain Cock	FC022021000	1
17	Retaining Ring	FC015024000	2
18	Rubber Foot	FC020118000	2
19	Handle Grip	FC116022015	1
20	Screw	FC014013042	4
21	Vibration Dampener	FC199575000	4
22	Handle Grip	FC116022015	1
	Complete Motor/Pump Assembly	PMP11MK246FC	1