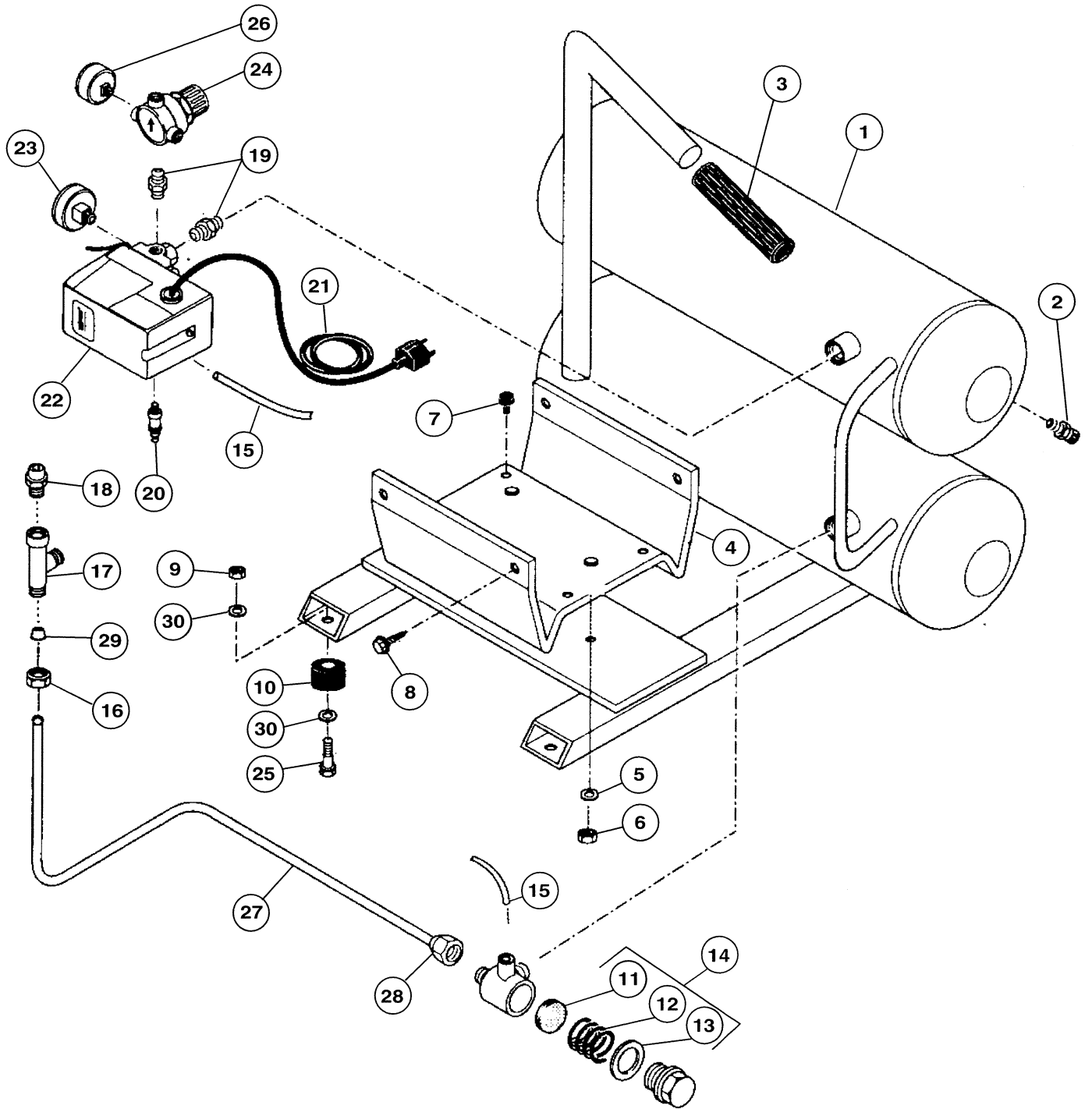
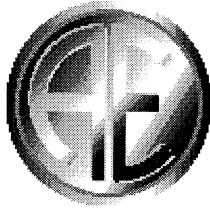


Rol-Air

SCHEMATIC FOR MODEL
FC2002





Associate Engineering Corporation

606 S. Lake Street, P.O. Box 346
 Hustisford Wisconsin 53034-0346
 Phone: 920-349-3281
 Sales Fax: 920.349.3691 Service Fax: 920.349.8861
www.rolair.net

PARTS LIST FOR FC2002

| Schematic # | Description | Part # | Qty. |
|-------------|------------------------------|-----------------|---------|
| 1 | Tank Assembly | FC162QC0010 | 1 |
| 2 | Drain Cock | FC022029000 | 2 |
| 3 | Handle Grip | FC127GH0012 | 1 |
| 4 | Mounting Plate | FC127GH0010 | 1 |
| 5 | Washer | FC014005008 | 3 |
| 6 | Nut | FC014003002 | 3 |
| 7 | Vibration Damper | FC199575000 | 4 |
| 8 | Self-Tapping Screw | FC014013042 | 4 |
| 9 | Nut | FC014003001 | 4 |
| 10 | Rubber Foot | FC020004001 | 4 |
| 11 | Seal | FC047129001 | 1 |
| 12 | Spring | FC047113002 | 1 |
| 13 | O-Ring | FC010041000 | 1 |
| 14 | Check Valve | FC347043000 | 1 |
| 15 | Nylon Tubing | FC046001000 | 1 (11") |
| 16 | Locknut | FC011117002 | 1 |
| 17 | Discharge Tee | FC199617000 | 1 |
| 18 | Bleeder Valve | FC011158000 | 1 |
| 19 | Nipple | FC011017000 | 1 |
| 20 | Safety Valve | FC047026000 | 1 |
| 21 | Cord w/Plug | FC164A08300 | 1 |
| 22 | Pressure Switch | FC321054000 | 1 |
| 23 | Tank Gauge | FC330052000 | 1 |
| 24 | Regulator | FC319205000 | 1 |
| 25 | Bolt | FC014001041 | 4 |
| 26 | Line Gauge | FC330006000 | 1 |
| 27 | Discharge Tube | FC2002-DISCH TB | 1 |
| 28 | Locknut | FC199437000 | 1 |
| 29 | Compression Ring | FC011117000 | 1 |
| 30 | Washer | FC014005002 | 8 |
| | Complete Motor/Pump Assembly | PMP11MK246FC | 1 |