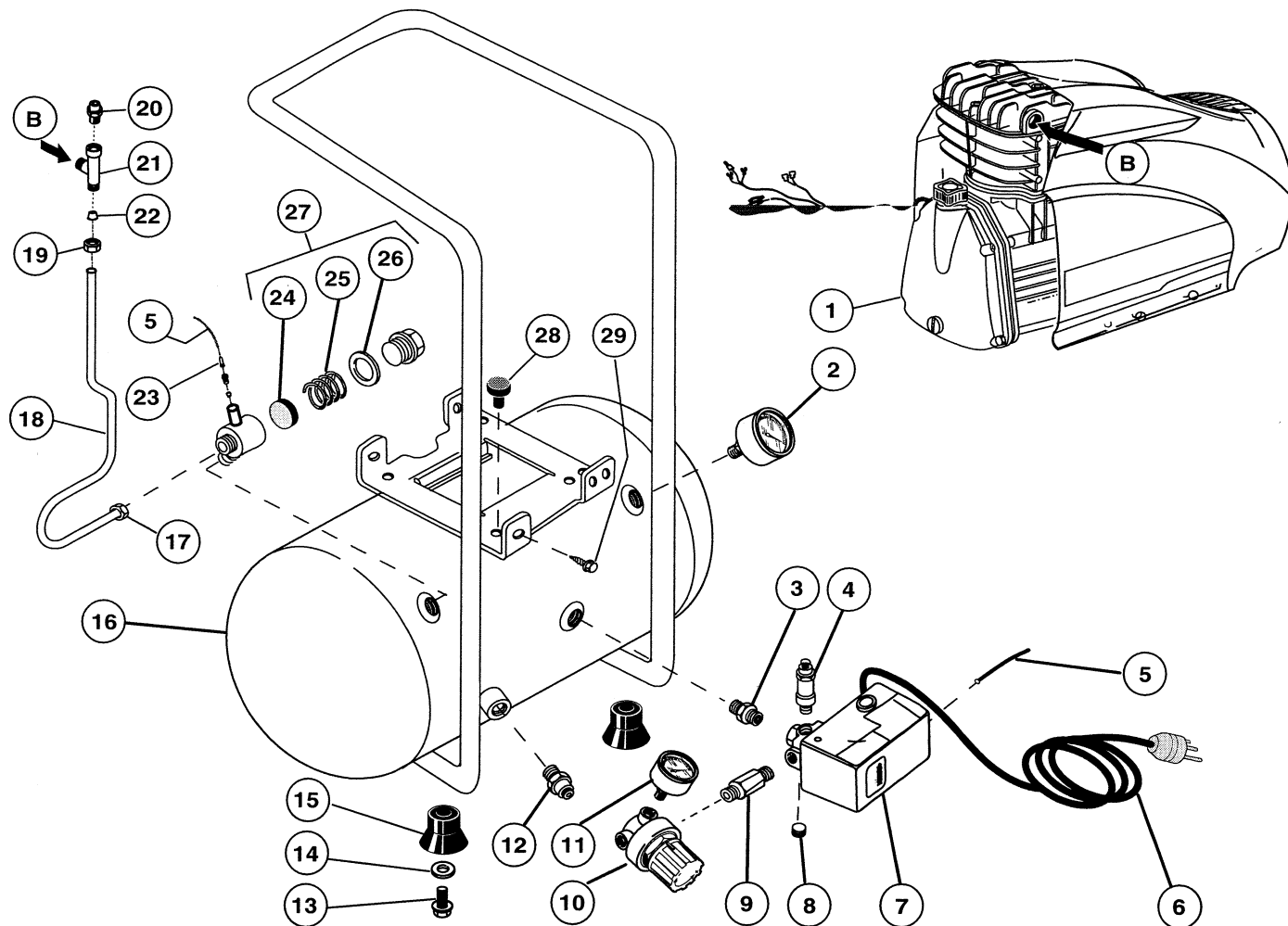


Rol-Air

SCHEMATIC FOR MODEL
FC1500HBP2





Associate Engineering Corporation
606 S. Lake Street, P O Box 346
Hustisford Wisconsin 53034-0346
Phone: 920-349-3281
Service Fax: 920.349.8861 Sales Fax: 920.349.3691
www.rolair.net

PARTS LIST FOR FC1500HBP2

Schematic #	Description	Part #	Qty.
1	Complete Motor/Pump Assembly	PMP11SF2500FC	1
2	Tank Gauge	FC330052000	1
3	Nipple	FC011017000	1
4	Safety Valve	FC047027001	1
5	Nylon Tubing	FC046001000	1
6	Cord w/Plug	FC164A08300	1
7	Pressure Switch	FC321054000	1
8	Plug	FC011018000	1
9	Nipple	FC011017001	1
10	Regulator	FC319108000	1
11	Line Gauge	FC330006000	1
12	Drain Cock	FC022029000	1
13	Screw	FC014013004	4
14	Washer	FC014005004	4
15	Rubber Foot	FC199968000	4
16	Tank Assembly	FC126HQ0010	1
17	Locknut	FC199437000	1
18	Discharge Tube	FC168HQ0009	1
19	Locknut	FC011117002	1
20	Bleeder Valve	FC011158000	1
21	Discharge Tee	FC199617000	1
22	Compression Ring	FC011117000	1
23	Insert	FC011304000	1
24	Seal	FC047113001	1
25	Spring	FC047113002	1
26	O-Ring	FC010041000	1
27	Check Valve	FC347043000	1
28	Vibration Dampener	FC199575000	4
29	Self-Tapping Screw	FC014013042	4