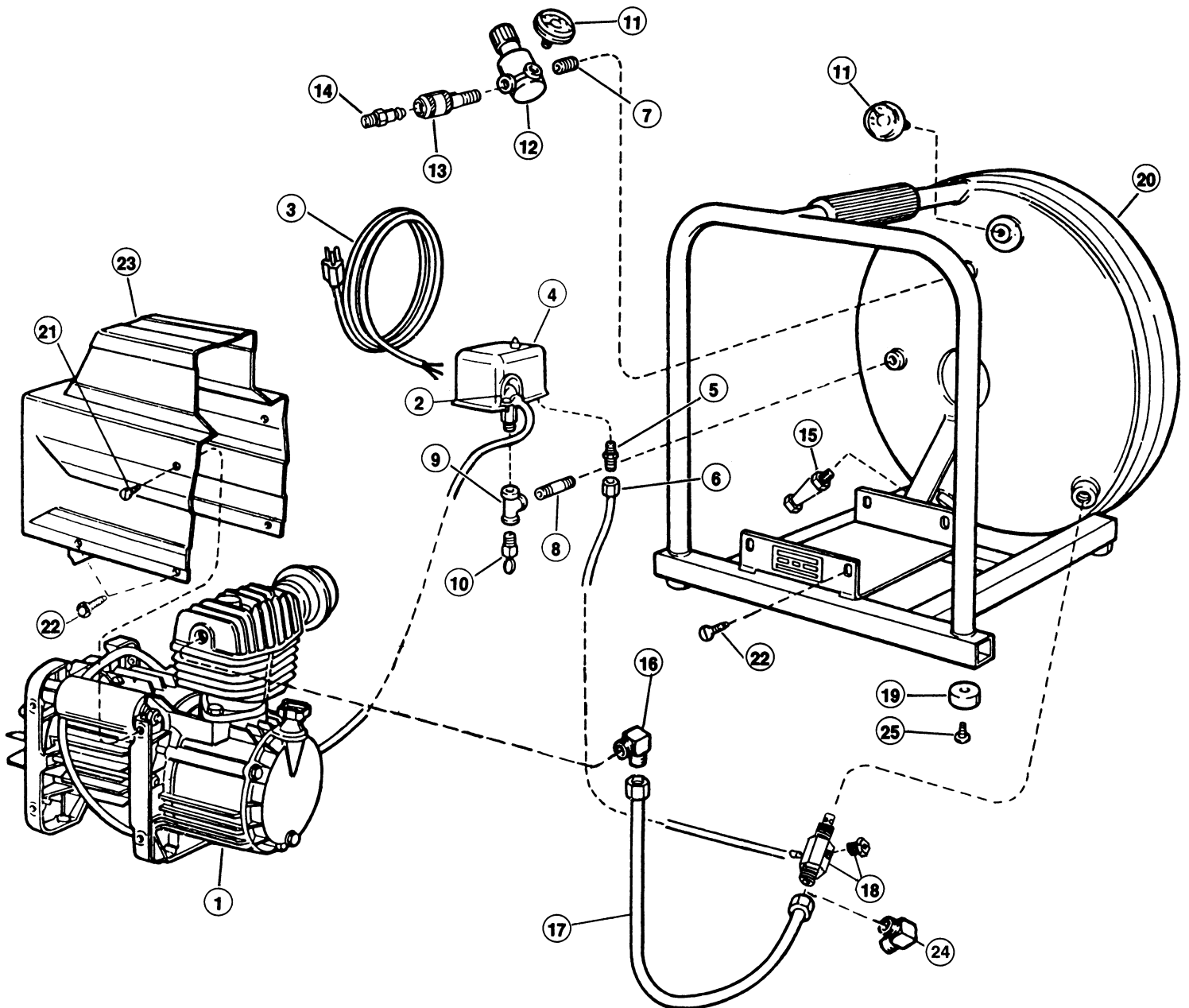


Rol-Air

SCHEMATIC FOR MODELS

D075HPV5	D1000LPV5	OD1500LPV5
D075LPV5	D1500HPV5	OD1500HPV5
D2002HPV5	D2000HPV5	





Associate Engineering Corporation

606 S. Lake Street P.O. Box 346

Hustisford, Wisconsin 53034-0346

Phone: 920-349-3281

Sales Fax: 920.349.3691 Service Fax: 920.349.8861

www.rolair.net

PARTS LIST FOR MODELS

D075HPV5 D1500HPV5 OD1500LPV5
D075LPV5 D2000HPV5 OD1500HPV5
D1000LPV5 D2002HPV5

Schematic #	Description	Part #	Qty.
1	1 HP Pump/Motor – Model D075HPV5 1 HP Pump/Motor – Model D075LPV5 1½ HP Pump/Motor – Model D1000LPV5 2 HP Pump/Motor – Model D1500HPV5 2 HP Pump/Motor – Model OD1500LPV5* 2 HP Pump/Motor – Model OD1500HPV5* 2 HP Pump/Motor - Model D2000HPV5 2 HP Pump/Motor - Model D2002HPV5	PMP11MK100FI PMP11MK105FI PMP11MK135FI PMP11MK200FI PMP11MK150FI PMP11OL202FI PMP11MK200P/FI** PMP11MK246FC**	1 1 1 1 1 1 1 1
2	¾" Straight Box Connector	160	2
3	6' 16-3 Cord w/plug	176	1
4	Pressure Switch (Includes PS2020RV)	PS2020M	1
5	Relief Valve (Includes Compression Fitting)	PS2020RV	1
6	¼" Nylon Tubing ¼" Brass Nut ¼" Brass Ring ¼" Brass Sleeve	178D BRNT0250 BRRG0250 BRSL0250	1.25' 2 2 2
7	Nipple	BLNP0250X0875	1
8	Nipple	BLNP0250X1500	1
9	¼" Tee	BLTE0250	1
10	Safety Relief Valve	SRV0250N165	1
11	Pressure Gauge	GA0125200	2
12	¼" Regulator	REG0250M	1
13	¼" Quick Disconnect	308	1
14	Male Coupler Plug	310	1
15	¼" Drain Cock	132B	1
16	Brass Elbow (Includes Compression Fitting) Brass Straight Fitting (OD1500LPV5* Only)	BREL0500X037539 BRST0500X050038	1 1
17	½" Copper Tube	Specify Model/Serial #	1
18	Check Valve With Bleeder Valve Installed (D1500HPV5 & OD1500LPV5* Only) (OD1500HPV5• Only) (All other models) ⅛" Bleeder Valve Only	CV4X4TWB CV3x4TWB CV4X4T CSV0125	1 1 1 1
19	Rubber Feet	219B	4
20	Tank Assembly	Specify Model	1
21	½" Hex Head Screw	014006121F	2
22	M5 x 16mm Hex Head Screw	MIS10036	4
23	Shroud (OD1500LPV5* Only) (OD1500HPV5* Only) (All Other Models)	116004006F 116005030F 199657000F	1 1 1
24	Brass Elbow (OD1500HPV5* Only)	BREL0500X037539	1
25	Screw	MIS10093C	4

*Oilless Models

**Location of intake filter is reversed from standard factory position. Please indicate model number when ordering.