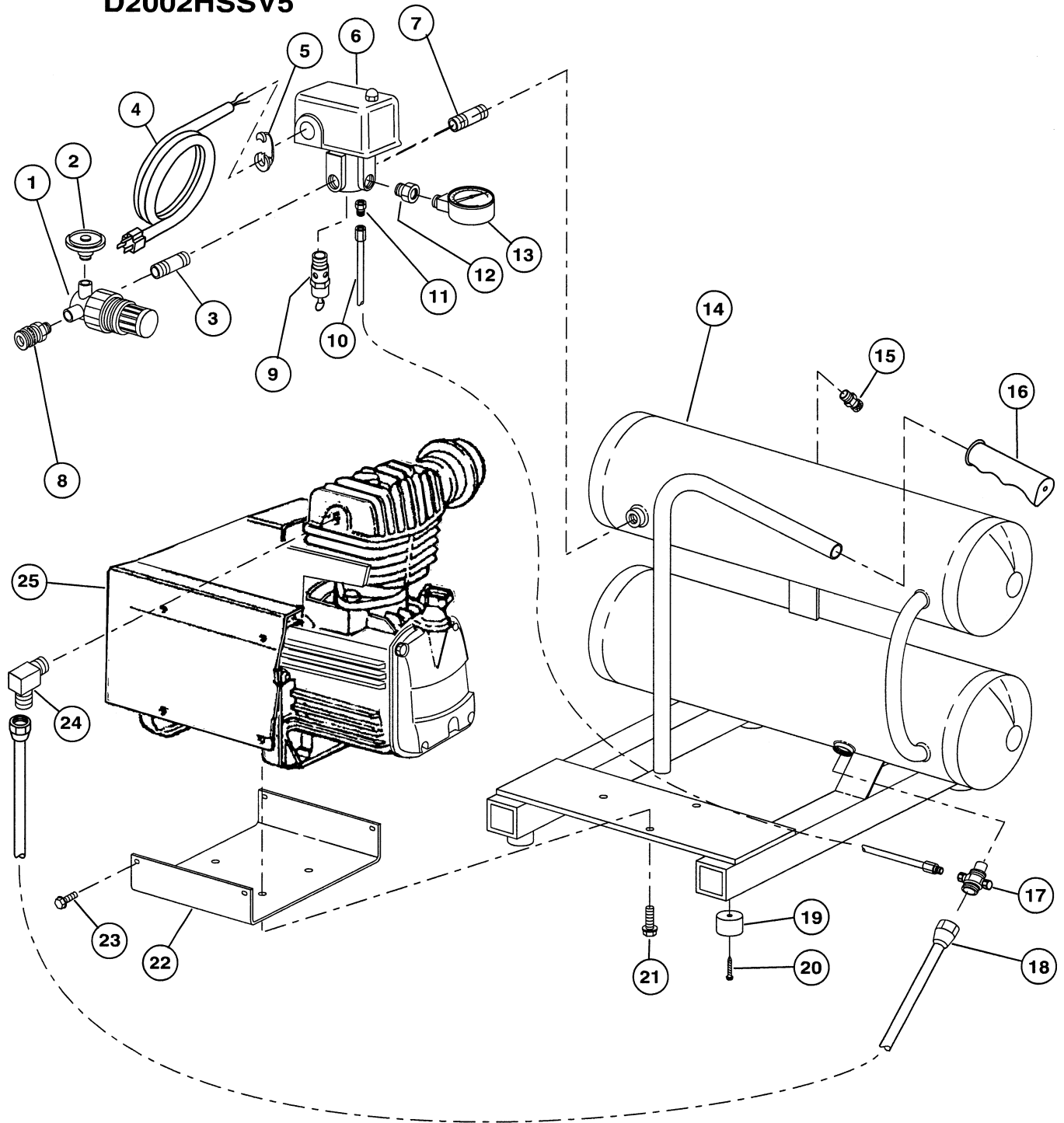


# Rol-Air

**SCHEMATIC FOR MODEL  
D2002HSSV5**





## Associate Engineering Corporation

606 S. Lake Street, P O Box 346

Hustisford Wisconsin 53034-0346

Phone: 920-349-3281

Sales Fax: 920.349.3691 Service Fax: 920.349.8861

[www.rolair.net](http://www.rolair.net)

### PARTS LIST FOR D2002HSSV5

| Schematic # | Description   | Part #              | Qty. |
|-------------|---|---------------------|------|
| 1           | ¼" Regulator  | REG0250M            | 1    |
| 2           | Pressure Gauge  | GA0125200           | 1    |
| 3           | ¼" x 2" Nipple  | BLNP0250X2000       | 1    |
| 4           | 6' 16-3 Cord w/Plug   | 176                 | 1    |
| 5           | Box Connector   | 160                 | 2    |
| 6           | Pressure Switch   | PS2525              | 1    |
| 7           | ¼" x 2 ½" Nipple  | BLNP0250X2500       | 1    |
| 8           | ¼" Universal Quick Disconnect                               | 308                 | 1    |
| 9           | Safety Relief Valve   | SRV0250N165         | 1    |
| 10          | ¼" Nylon Tubing – 18"                                       | 178D                | 1.5' |
|             | ¼" Nut  | BRNT0250            | 2    |
|             | ¼" Ring   | BRRG0250            | 2    |
|             | ¼" Sleeve –Insert   | BRSL0250            | 2    |
| 11          | Relief Valve  | PS2020RV            | 1    |
| 12          | Brass Adapter   | BRAD0250X0250       | 1    |
| 13          | Pressure Gauge  | GA0250200           | 1    |
| 14          | Tank Assembly   | TNKASYSSV5          | 1    |
| 15          | ¼" Drain Cock   | 132B                | 2    |
| 16          | Handle Grip   | 328                 | 1    |
| 17          | Check Valve   | CV4X4TWB            | 1    |
| 18          | ½" Copper Discharge Tube<br>(Includes Compression Fittings) | D2002HSSV5–DISCH TB | 1    |
| 19          | Rubber Foot   | 219B                | 4    |
| 20          | Screw   | MIS10093C           | 4    |
| 21          | Spin Lock Bolt  | MIS10094            | 3    |
| 22          | Mounting Plate  | SDL1060–SSV5        | 1    |
| 23          | Mounting Screw  | MIS10036            | 4    |
| 24          | Brass Elbow   | BREL0500X037539     | 1    |
| 25          | Complete Pump/Motor Assembly                                | PMP11MK246FC        | 1    |