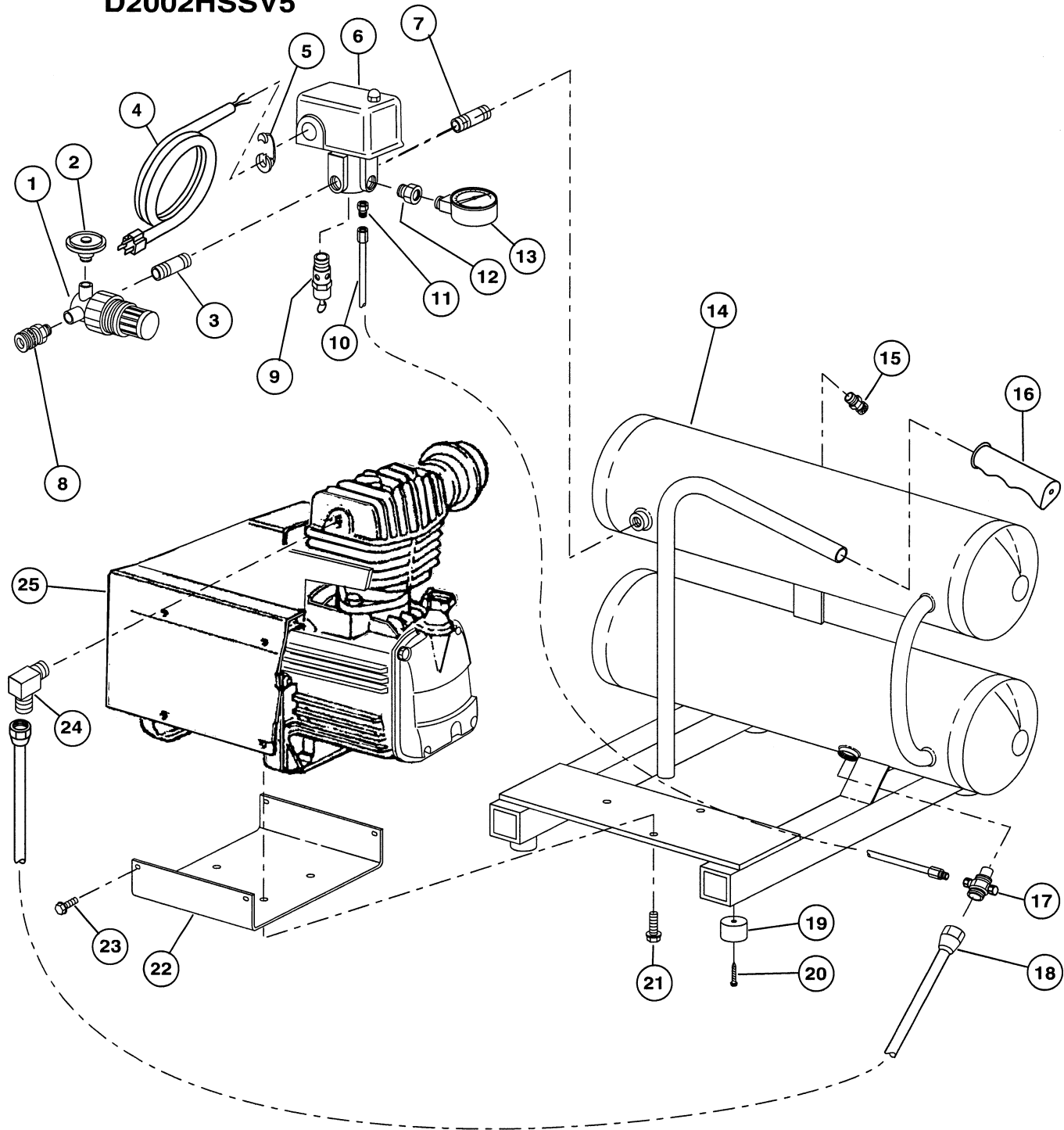


Rol-Air

**SCHEMATIC FOR MODEL
D2002HSSV5**





Associate Engineering Corporation

606 S. Lake Street, P O Box 346

Hustisford Wisconsin 53034-0346

Phone: 920-349-3281

Sales Fax: 920.349.3691 Service Fax: 920.349.8861

www.rolair.net

PARTS LIST FOR D2002HSSV5

Schematic #	Description	Part #	Qty.
1	¼" Regulator	REG0250M	1
2	Pressure Gauge	GA0125200	1
3	¼" x 2" Nipple	BLNP0250X2000	1
4	6' 16-3 Cord w/Plug	176	1
5	Box Connector	160	2
6	Pressure Switch	PS2525	1
7	¼" x 2 ½" Nipple	BLNP0250X2500	1
8	¼" Universal Quick Disconnect	308	1
9	Safety Relief Valve	SRV0250N165	1
10	¼" Nylon Tubing – 18"	178D	1.5'
	¼" Nut	BRNT0250	2
	¼" Ring	BRRG0250	2
	¼" Sleeve –Insert	BRSL0250	2
11	Relief Valve	PS2020RV	1
12	Brass Adapter	BRAD0250X0250	1
13	Pressure Gauge	GA0250200	1
14	Tank Assembly	TNKASYSSV5	1
15	¼" Drain Cock	132B	2
16	Handle Grip	328	1
17	Check Valve	CV4X4TWB	1
18	½" Copper Discharge Tube (Includes Compression Fittings)	D2002HSSV5-DISCH TB	1
19	Rubber Foot	219B	4
20	Screw	MIS10093C	4
21	Spin Lock Bolt	MIS10094	3
22	Mounting Plate	SDL1060-SSV5	1
23	Mounting Screw	MIS10036	4
24	Brass Elbow	BREL0500X037539	1
25	Complete Pump/Motor Assembly	PMP11MK246FC	1