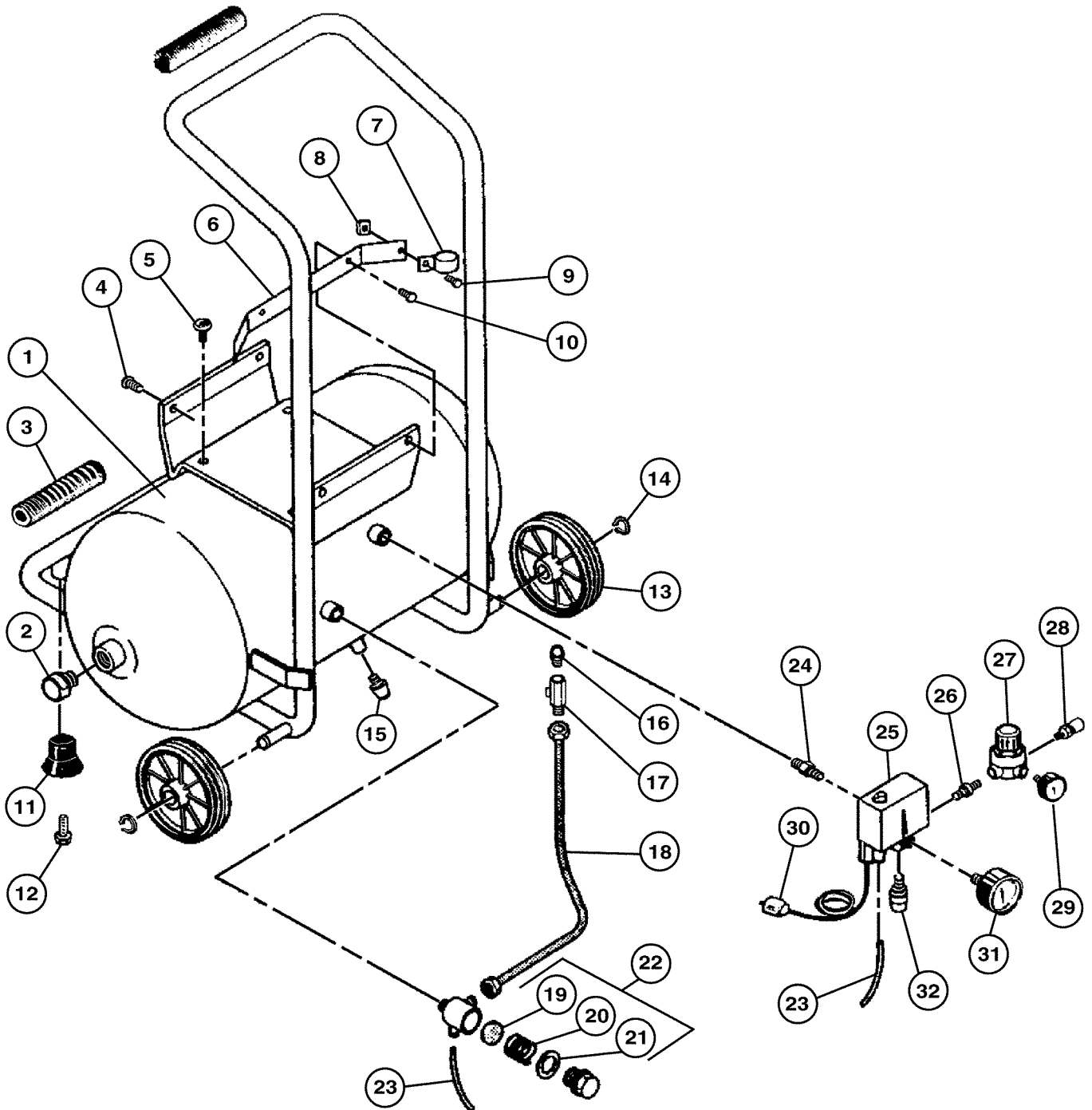


Rol-Air

SCHEMATIC FOR MODEL D2000HBP6





Associate Engineering Corporation

606 S. Lake Street P.O. Box 346
Hustisford, Wisconsin 53034-0346
Phone: 920-349-3281
Sales Fax: 920.349.3691 Service Fax: 920.349.8861
www.rolair.net

PARTS LIST FOR D2000HBP6

Schematic #	Description	Part #	Qty.
1	Tank Assembly	166HZ0010VF	1
2	Plug	011008000F	2
3	Handle Grip	116022015F	2
4	Screw	MIS10036	2
5	Vibration Damper	199575000F	4
6	Support Bracket	102GL0010F	1
7	Support Clamp	102GZ0001F	2
8	Nut	014003012F	2
9	Screw	014013023F	2
10	Screw	014013044F	2
11	Rubber Feet	020074000F	2
12	Screw	014013046F	2
13	Wheel	020041000F	2
14	Snap Ring	015003000F	2
15	Drain Cock	022021000F	1
16	Bleeder Valve	011158000F	1
17	Discharge Tee	199617000F	1
18	Discharge Tube	102GH0012F	1
19	Disc	047113001F	1
20	Spring	047113002F	1
21	O-Ring	047113003F	1
22	Check Valve	347035000F	1
23	Nylon Tubing	046001000FB	1 (9½")
24	Nipple	011080000F	1
25	Pressure Switch	321020000F	1
26	Nipple	199384000F	1
27	Regulator	319117000F	1
28	Quick Disconnect	322053000F	1
29	Line Gauge	330006000F	1
30	Cord w/Plug	164A08200F	1
31	Tank Gauge	330004000F	1
32	Safety Relief Valve	347027000F	1
	Complete Motor/Pump Assembly	PMP11MK200PFI	1