

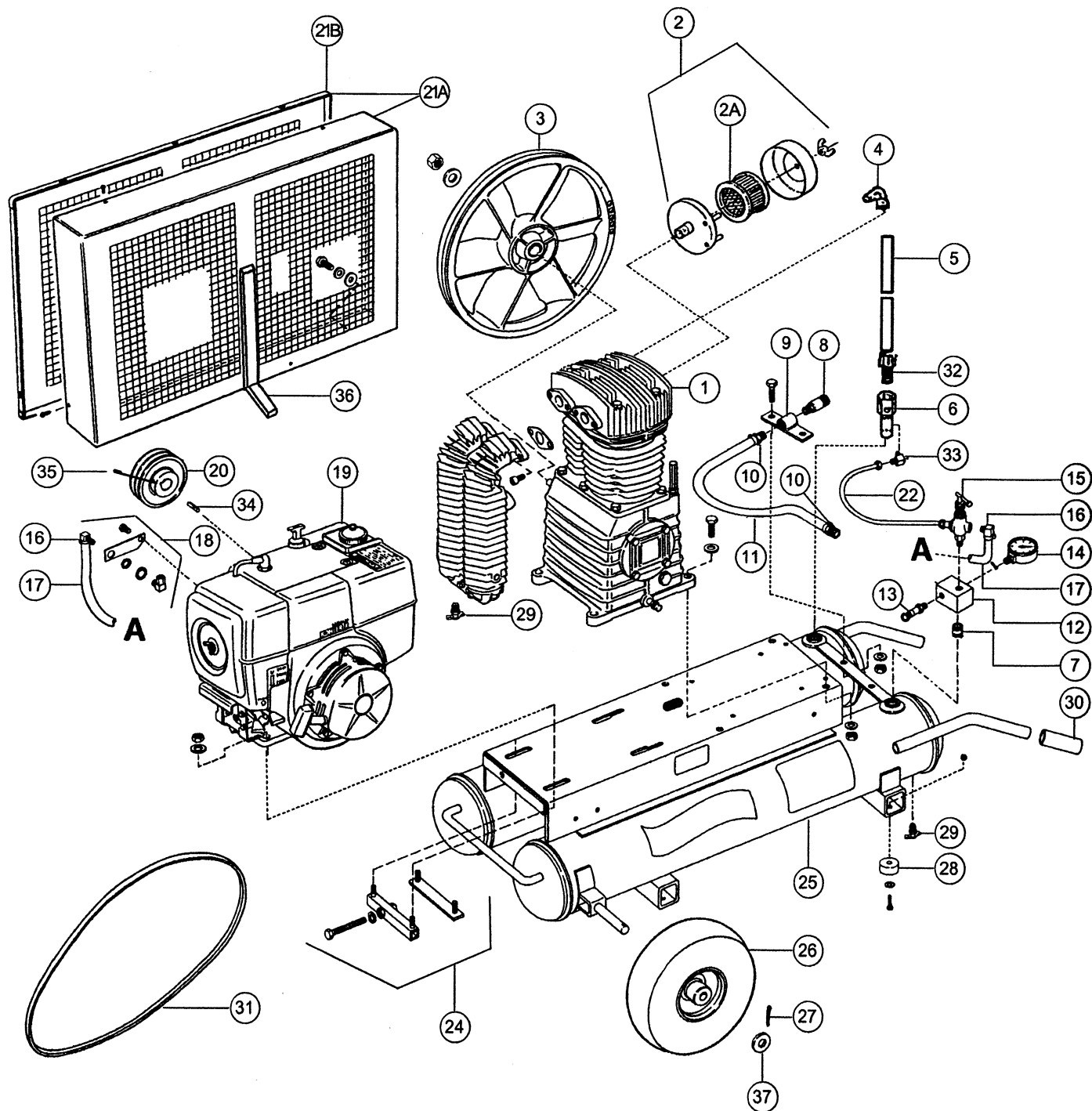
Rol-Air

SCHEMATIC FOR MODELS

7722HK28

8422K30

8422HK30





Associate Engineering Corporation

606 S. Lake Street, P.O. Box 346

Hustisford Wisconsin 53034-0346

Phone: 920-349-3281

Sales Fax: 920.349.3691 Service Fax: 920.349.8861

www.rolair.net

PARTS LIST FOR MODELS

7722HK28 8422K30 8422HK30

Schematic #	Description	Part #	Qty.
1	Pump with Flywheel (Mdl 7722HK28)	PMP22K28CH	1
	Pump less Flywheel (Mdl 7722HK28)	PMP22K28CHLF	1
	Pump with Flywheel (Mdl 8422K30 & 8422HK30)	PMP22K30CH	1
	Pump less Flywheel (Mdl 8422K30 & 8422HK30)	PMP22K30CHLF	1
2	Filter Assembly	FS14075	1
2A	Filter Element	431	1
3	Flywheel (Mdl 8422HK30 & 8422K30)	31003040CH	1
	(Mdl 7722HK28)	31004620CH	1
4	Brass Elbow (Includes Compression Fittings)	BREL0750X075039	1
5	Discharge Tube (Mdl 7722HK28)	7722HK28-DISCH TB	1
	(Mdl's 8422HK30 & 8422K30)	8422HK30-DISCH TB*	1
6	1/2" Check Valve	CV4X4TA	1
7	1/2" x 1 1/2" Nipple	BLNP0500X1500	1
8	Quick Disconnect	309A	1
9	Accessory Outlet Bracket	210	1
10	Brass Hose Coupler	BRCP0375X0375H12	2
11	3/8" Air Hose	178A	1
	Hose Clamp for 3/8" Air Hose	177A	2
12	Aluminum Block Manifold	154	1
13	175 PSI Safety Valve	SRV0250A175	1
14	300 PSI Pressure Gauge	GA0250300	1
15	Pilot Unloader Valve	131B	1
16	90° Brass Hose Coupler	BREL0250X0125H16	2
17	1/4" Air Hose	178	4
	Hose Clamp for 1/4" Air Hose	177B	2
18	Throttle Control Assembly (Kohler)	191M8T	1
	Throttle Control Assembly (Honda)	192EGX240QA	1
19	8 HP Kohler Engine	ENG08K0M1	1
	8 HP Honda Engine	ENG08H01	1
20	Pulley-Engine (Mdl 7722HK28)	PU2AK54X1000	1
	(Mdl's 8422K30 & 8422HK30)	PU2AK46X1000	1
21A	Belt Guard Assembly (Base & Cover)	BG8422K30ASSY	1
21B	Cover only forBG8422K30ASSY	BG8422COVER	1
22	1/4" Copper Tube	MIS1110	1'
24	Belt Tightening Device (Mdl 8422K30)	SBT8HPK0-ANGLE**	1
	(Mdl 7722HK28 & 8422HK30)	SBT8HPHO&KAK30-ANGLE**	1
25	Tank Assembly	Specify Engine	1
26	Fully Pneumatic Wheel	WLS30	2
27	1/8" x 1 1/2" Cotter Pin	181B	2
28	Rubber Vibration Pad	219	4
29	1/4" Drain Cock	132B	3
30	Rubber Handle Grip	328	2
31	V-Belt	BTA63	2
32	Brass Straight Fitting	BRST0750X050038	1
33	90° Elbow (Includes Compression Fittings)	BREL0250X012539	1
34	Keystock	MIS10096C	1
35	Setscrew	MIS10020C	1
36	Field Kit-Belt Guard Bracket	BGB8K30	1
37	Axle Washer	MIS10104	6

*Prior to January 1997, a discharge tube with a 90° bend was used in production. Please advise our Parts Department of the compressor's serial number when ordering this part.

**For units built prior to February 2005, order SBT8HP-SQUARE or SBT8PHO&KA17-SQUARE respectively.