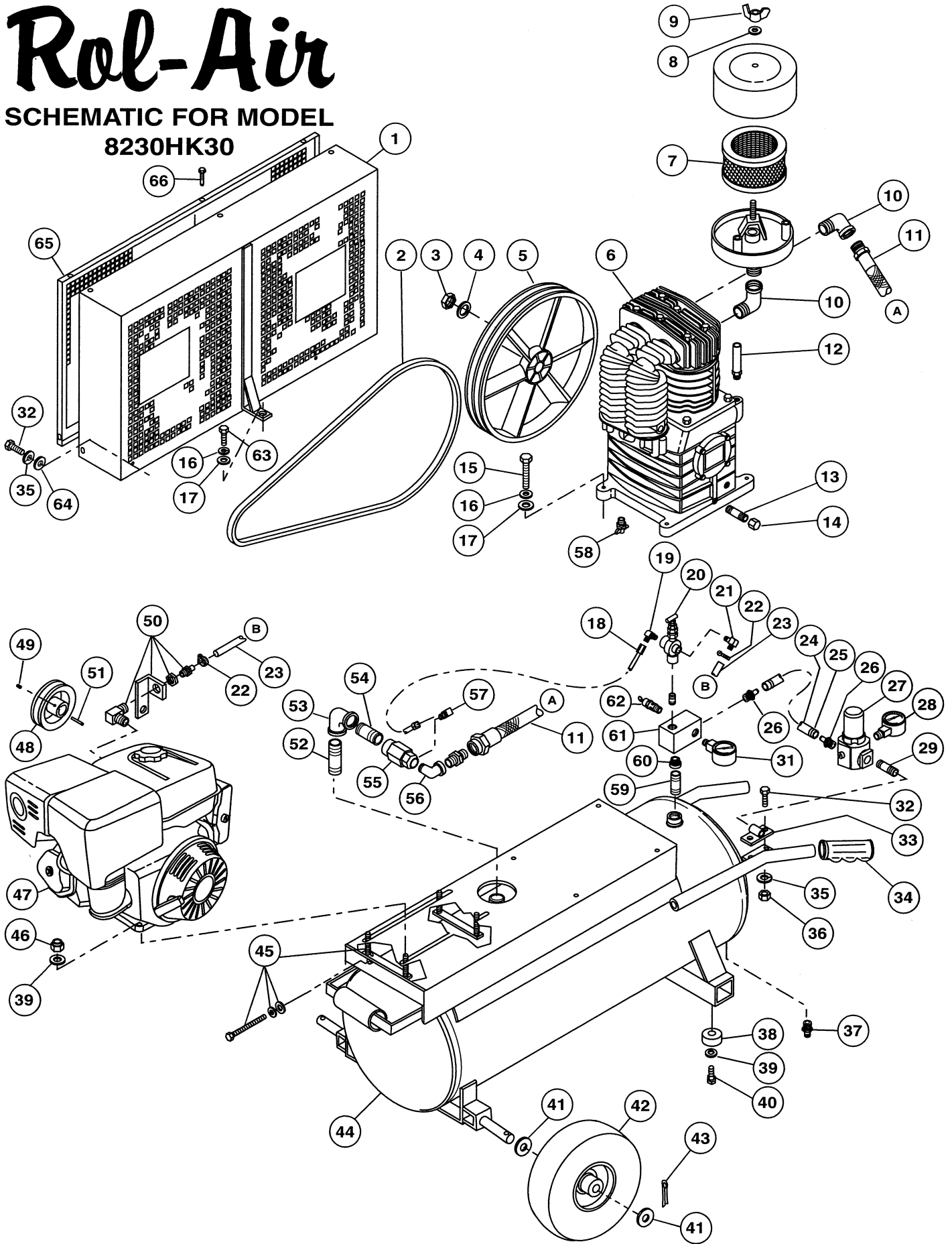
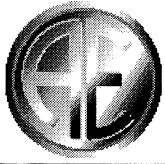


Rol-Air

SCHEMATIC FOR MODEL
8230HK30





Associate Engineering Corporation

606 S. Lake Street, P.O. Box 346

Hustisford Wisconsin 53034-0346

Phone: 920-349-3281

Sales Fax: 920.349.3691 Service Fax: 920.349.8861

www.rolair.net

PARTS LIST FOR MODEL 8230HK30

Schematic #	Description	Part #	Qty.
1	Belt Guard Assembly	BG8422K30ASSY	1
2	Belt	BTA63	2
3	Nut	37403780CH	1
4	Washer	37502450CH	1
5	Flywheel	31003040CH	1
6	Pump with Flywheel	PMP22K30CH	1
	Pump less Flywheel	PMP22K30CHLF	1
7	Filter Element	431	1
8	Washer	FSWASHER	1
9	Wing Nut	FSNUT	1
10	¾" Street Elbow	BLEL0750X90S	2
11	26" Braided Discharge Tube	145C	1
12	Breather/Oil Fill Plug	36507050CH	1
13	¼" x 1 ½" Nipple	BLNP0250X1500	1
14	¼" Cap	BLCA0250	1
15	3/8" X 1 ½" Bolt	MIS10043	4
16	3/8" Lock Washer	MIS10100	8
17	3/8" Flat Washer	MIS10103	8
18	¼" Nylon Tubing – 30"	178D	2.5'
	¼" Brass Nut	BRNT0250	2
	¼" Brass Ring	BRRG0250	2
	¼" Brass Sleeve – Insert	BRSL0250	2
19	Brass Elbow	BREL0250X025039	1
20	Pilot Unloader Valve	131BIG	1
21	Brass Elbow	BREL0250X0125H16	1
22	Screw Clamp	177B	2
23	¼" Rubber Hose – 30"	178	2.5'
24	3/8" Rubber Hose – 12"	178A	1'
25	5/8" Hose Clamp	177A	2
26	3/8" Brass Coupler	BRCP0375X0375H12	2
27	3/8" Regulator	REG0375	1
28	¼" 200 PSI Gauge	GA0250200	1
29	3/8" x 1 ½" Nipple	BLNP0375X1500	1
31	¼" - 300 PSI Gauge	GA0250300	1
32	5/16" x 7/8" Bolt	MIS10022	4
33	Accessory Bracket	210	1
34	Handle Grip	328	2
35	5/16" Lock Washer	MIS10099	4
36	5/16" Nut	MIS10020	2
37	¼" Drain Cock	132B	1
38	Rubber Foot	219	4
39	¼" Flat Washer	MIS10102	8
40	¼" x 1" Self-Tapping Screw	MIS10008	4
41	Machine Bushing	MIS10104	6
42	Wheel w/Sealant	WLS30SEAL	2
43	Cotter Pin	181A	2
44	Tank Assembly	TNKASY8230A	1
45	Schmidt Belt Tightening Kit	SBT8HPH0&KAK30-ANGLE	1
46	5/16" Lock Nut	MIS10020B	4
47	Engine – GX240 Honda	ENG08H01	1
48	Engine Pulley	PU2AK46X1000	1
49	Setscrew	MIS10020C	1
50	Throttle Control Kit	192EGX240QA	1
51	¼" Keystock	MIS10096C	1
52	½" x 4" Nipple	BLNP0500X4000	1
53	½" Elbow	BLEL0500X90	1
54	½" X 2" Nipple	BLNP0500X2000	1
55	Check Valve	CV4X4L1	1
56	½" Street Elbow	BREL0500X90S	1
57	Brass Elbow	BREL0250X012539	1
58	¼" Drain Cock	132	1
59	3/8" x 2 ½" Nipple	BLNP0357X2500	1
60	Bushing	BLBS0500X0375	1
61	Aluminum Block Manifold	154	1
62	Safety Relief Valve	SRV0250A175	1
63	3/8" x 1" Bolt	MIS10041	1
64	5/16" x 1 3/8" Flat Washer	MIS10108	2
65	Belt Guard Cover	BG8423	1
66	Spinlock Bolt	MIS10094	5