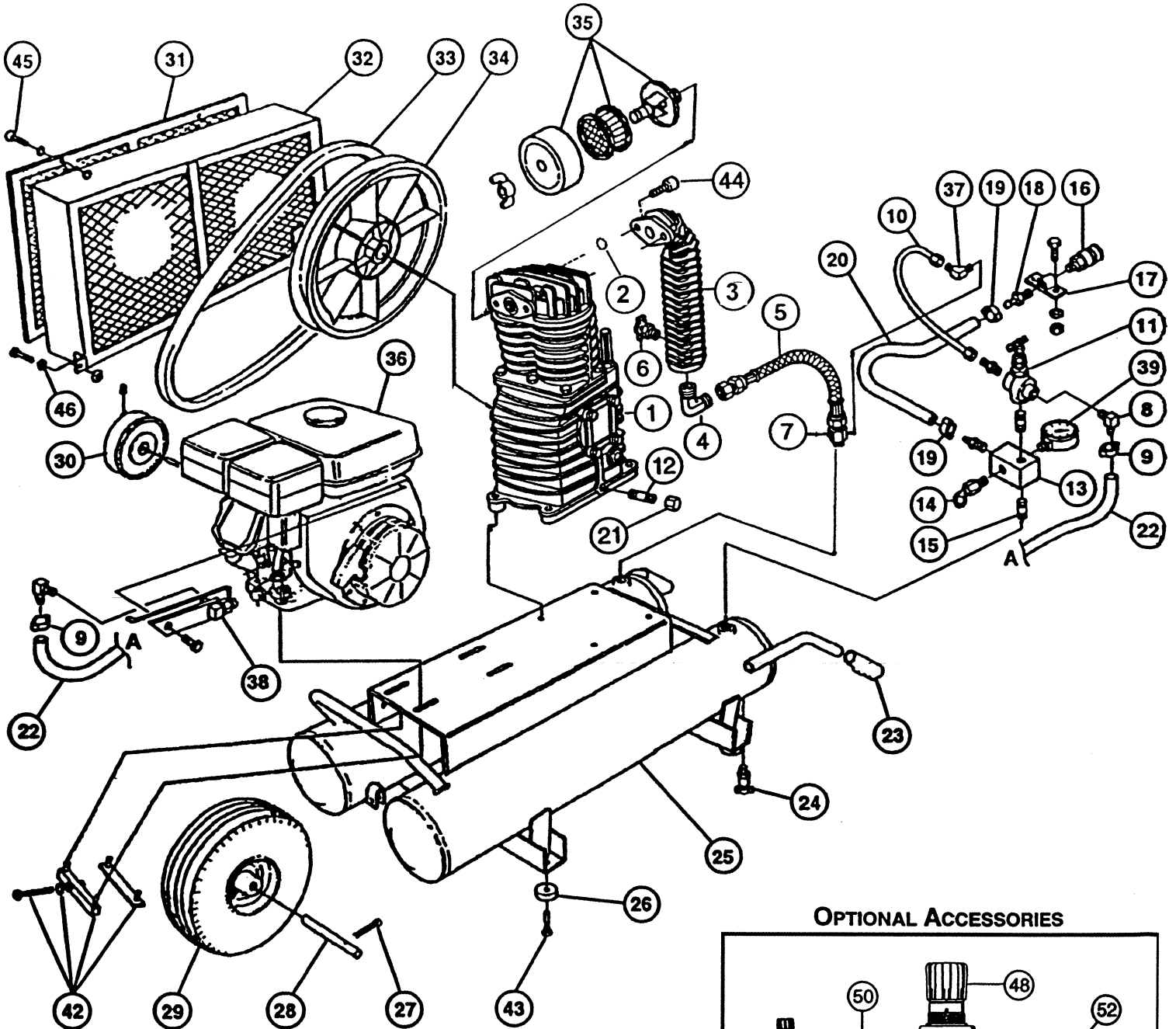
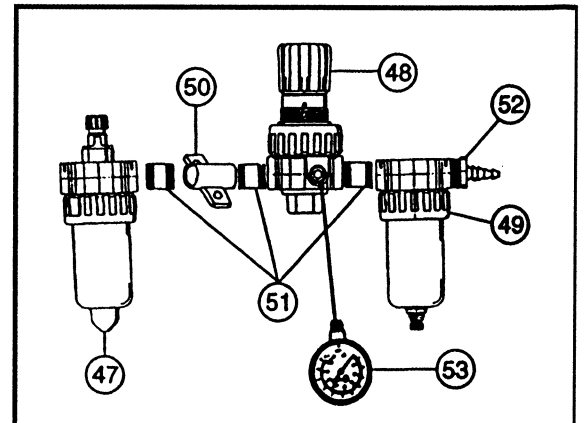


Rol-Air

SCHEMATIC FOR MODEL
6590HK18
6590RK18



OPTIONAL ACCESSORIES





Associate Engineering Corporation

606 S. Lake Street, P.O. Box 346
 Hustisford Wisconsin 53034-0346
 Phone: 920-349-3281
 Sales Fax: 920.349.3691 Service Fax: 920.349.8861
www.rolair.net

PARTS LIST FOR MODELS

6590HK18

6590RK18

Schematic #	Description	Part #	Qty.
1	Twin Cylinder Pump w/Flywheel	PMP12K18CH	1
2	Twin Cylinder Pump less Flywheel "O" Ring	PMP12K18CHLF 30502510CH*	1 1
3	Aftercooler	3290146ACH	1
4	Brass Elbow	145D	1
5	8 1/2" Flexible Discharge Hose w/Fitting	145F	1
6	1/4" Drain Cock	132	1
7	Check Valve	CV4X4TA	1
8	Brass Elbow	BREL0250X0125H16	1
9	Hose Clamp	177	2
10	1/4" Nylon Tube 1/4" Brass Nut 1/4" Brass Sleeve 1/4" Brass Ring	178D (without fittings) BRNT0250 BRSL0250 BRRG0250	Specify Model 2 2 2
11	Pilot Unloader Valve Felt Muffler Retainer Ring	131B 131BM 131BR	1 1 1
12	1/4" x 1 1/2" Nipple	BLNP0250X1500	1
13	Aluminum Block Manifold	154	1
14	Safety Relief Valve	SRV0250N165	1
15	Nipple	BLNP0500X1500	1
16	Quick Coupler	309A	1
17	Accessory Outlet Bracket	210	1
18	3/8" Brass Coupler	BRCP0375X0375H12	2
19	Hose Clamps	177A	2
20	3/8" Rubber Hose - 16"	178A	1.34'
21	1/4" Cap	BLCA0250	1
22	1/4" Rubber Hose - 36"	178	3.0'
23	Rubber Handle Grip	328	2
24	1/4" Drain Cock	132B	2
25	Twin Tank Assembly - 6.5 HP Honda - 6 HP Robin	TNKASY6590H TNKASY6590R	1 1
26	Rubber Feet	219	4
27	Cotter Pin	181A	2
28	Axle	181	1
29	Fully-Pneumatic Wheel	WLS30	1
30	Engine Pulley	PUAK44X0750	1
31	Belt Guard Cover	BG8145	1
32	Belt Guard Base	BG8140B	1
33	Belt	BT4L510	1
34	Pump Flywheel	31007280CH	1
35	Filter/Silencer Assembly Replacement Filter Element	FS14050 431	1 1
36	6.5 HP Honda Engine - 6590HK18	ENG06H01	1
37	6 HP Robin Engine - 6590RK18	ENG06R01	1
38	Brass Elbow Throttle Control Kit	BREL0250X012539 192EGX160K1QX	1 1
39	Pressure Gauge	GA0250200	1
42	Belt Tightening Device	SPT5HP-ANGLE**	1
43	1/4" x 1" Self-Tapping Screw	MIS10008	4
44	Aftercooler Bolt	37302530CH	2
45	Spin Lock Bolt	MIS10094	5
46	5/16" x 7/8" Bolt 5/16" Lockwasher 5/16" x 1 3/8" Flatwasher	MIS10022 MIS10099 MIS10108	2 2 2
47	(Accessories) 3/8" Lubricator	LUB0375	1
48	3/8" Regulator	REG0375	1
49	3/8" Filter (Water Trap)	FIL0375	1
50	Accessory Bracket	210	1
51	3/8" x 1 1/2" Nipple	BLNP0375X1500	3
52	3/8" Brass Barb Coupling	BRCP0375X0375H12	1
53	1/4" - 200 Gauge Option: Flexible Drain Extension - Engine	GA0250200 HDE5	1 1

*For units built prior to February 2000, order gasket 30501490CH

**For units built prior to February 2005, order SBT5HP-SQUARE