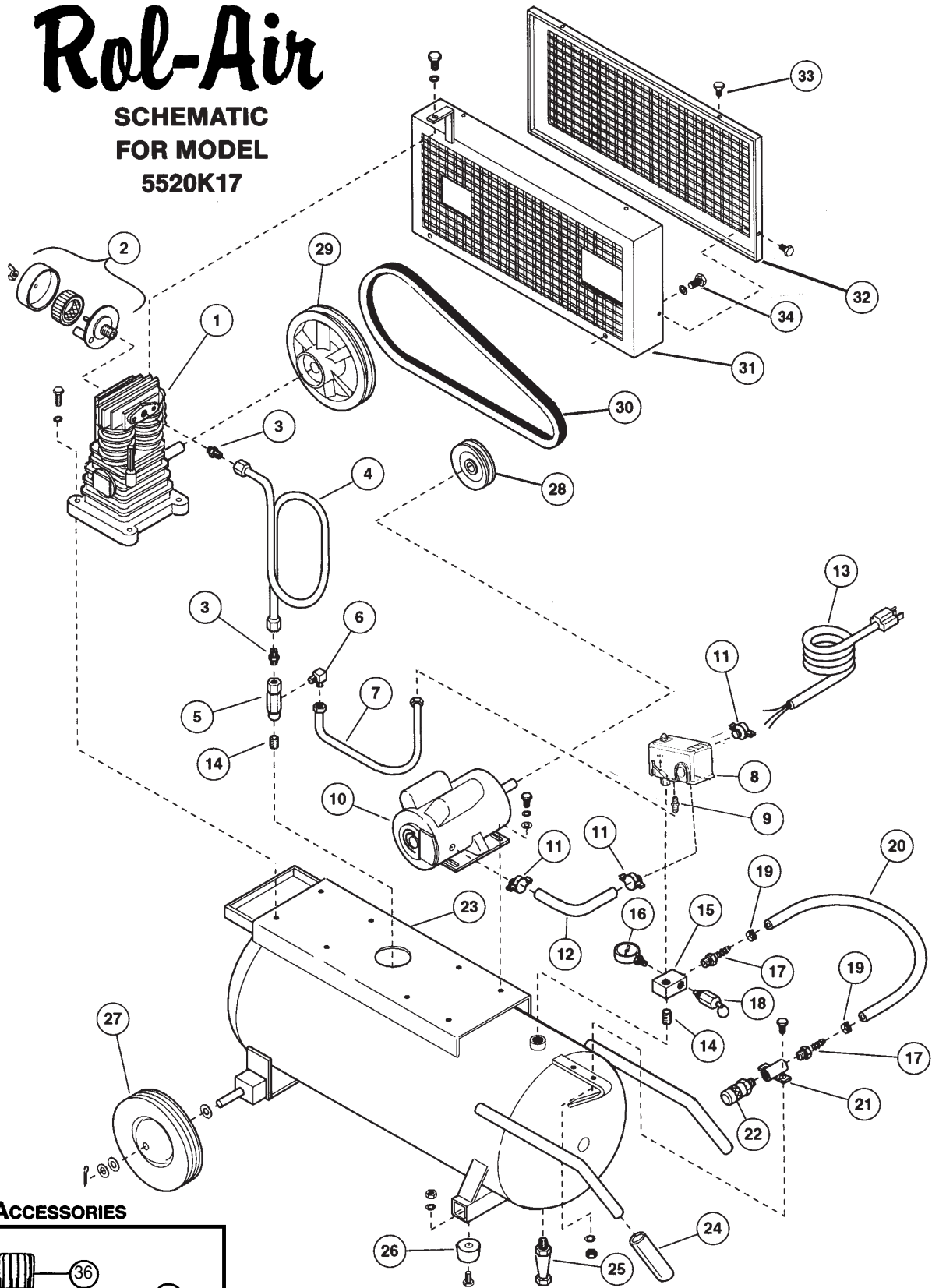
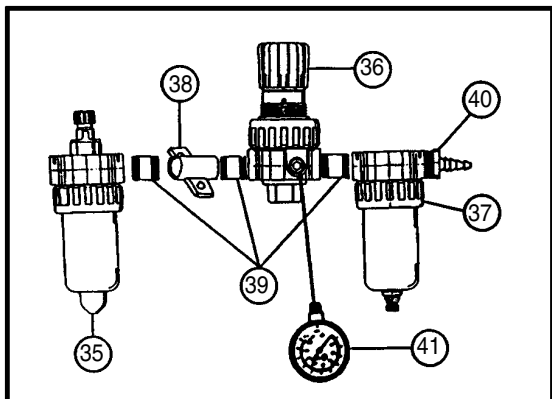


Rol-Air

SCHEMATIC
FOR MODEL
5520K17



OPTIONAL ACCESSORIES





Associate Engineering Corporation

606 S. Lake Street P.O. Box 346
 Hustisford, Wisconsin 53034-0346
 Phone: 920-349-3281
 Sales Fax: 920.349.3691
 Service Fax: 920.349.8861

PARTS LIST FOR MODEL 5520K17

Schematic #	Description	Part #	Qty.
1	Twin Cylinder Pump With Flywheel Twin Cylinder Pump Less Flywheel	PMP12K17CH PMP12K17CHLF	1 1
2	Cannister Filter Assy. (Replacement Filter Order Part# 431)	FS14050	1
3	Brass Str. Compression Fitting	BRST0500X050038	2
4	1/2" Copper Discharge Tube W/Fittings*	5520K17-DISCH TB	1
5	1/2" Inline Check Valve	CV4X4L1	1
6	1/4 x 1/8 Brass Elbow	BREL0250X012539	1
7	1/4" Copper Tubing w/Fitting	Specify Serial Number	1
8	Pressure Switch	PS2020M	1
9	Pressure Switch Relief Valve	PS2020RV	1
10	1½ HP Electric Motor 1½ HP Electric Motor w/Dual Voltage Switch	MTRC101 MTRC102	1
11	3/8 Str. Box Connector	161	3
12	Electric Cord 12-3 19" Long	173	1
13	Electric Cord 12-3 8 Ft. W/Plug	170	1
14	1/2 x 1½ Nipple	BLNP0500X1500	2
15	Aluminum Block Manifold	154	1
16	200 P.S.I. Gauge	GA0250200	1
17	3/8" Brass Coupler	BRCP0375X0375H12	2
18	1/4" Safety Relief Valve; Non-Code Models	SRV0250N165	1
	1/4" Safety Relief Valve; ASME Models	SRV0250A150	1
19	Hose Clamp 5/8"	177A	2
20	3/8" Rubber Hose	178A	1 ft.
21	Accessory Outlet Brkt.	210	1
22	3/8" Quick Coupler	309A	1
23	Tank Assy. – Non-Code Models	TNKASY5520NC	1
	Tank Assy. – ASME Models	TNKASY5520A	1
24	Handle Grip	328	2
25	1/4" Drain Cock	132B	1
26	Rubber Vibration Pads	219	2
27	Semi-Pneumatic Wheel	WLS40	2
28	Motor Pulley	PUAK54X0875	1
29	Pump Flywheel	31000490CH	1
30	V Belt	BT4L490	1
31	Belt Guard Base	BG566A	1
32	Belt Guard Cover	BG567	1
33	Screw	MIS10093C	4
34	5/16" x 1¾" Bolt	MIS10108	2
	1/4" Lockwasher	MIS10098	2
	1/4" x 3/4" Washer	MIS10004	2
	ACCESSORIES		
35	3/8" Lubricator	LUB0375	1
36	3/8" Regulator	REG0375	1
37	3/8" Filter (Water Trap)	FIL0375	1
38	Accessory Bracket	210	1
39	3/8" x 1½ Nipple	BLNP0375X1500	3
40	3/8" Brass Barb Coupling	BRCP0375X0375H12	1
41	1/4" – 200 Gauge	GA0250200	1

*Consult factory for discharge tube part # if your unit is equipped with a pulsation chamber.