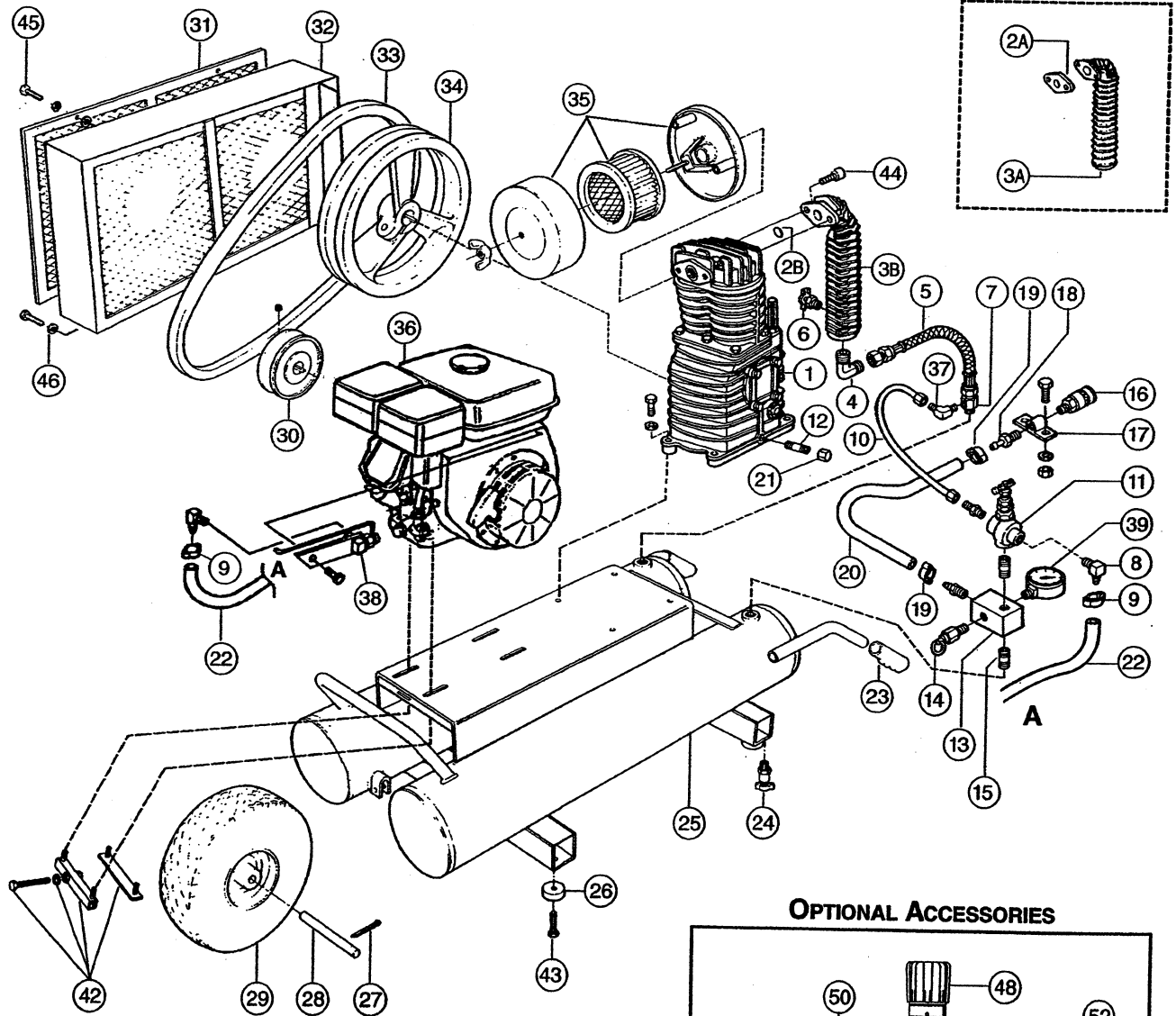


# Rol-Air

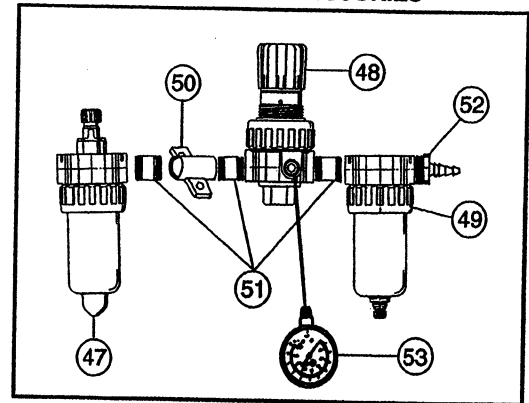
SCHEMATIC FOR MODELS

4090K17

4090HK17



## OPTIONAL ACCESSORIES





## Associate Engineering Corporation

606 S. Lake Street, P.O. Box 346  
 Hustisford Wisconsin 53034-0346  
 Phone: 920-349-3281  
 Sales Fax: 920.349.3691 Service Fax: 920.349.8861  
[www.rolair.net](http://www.rolair.net)

## PARTS LIST FOR MODELS

4090HK17

4090K17

Schematic #	Description	Part #	Qty.
1	Twin Cylinder Pump w/Flywheel	PMP12K17CH	1
	Twin Cylinder Pump less Flywheel	PMP12K17CHLF	1
2A	Gasket	30501490CH	1
2B	"O" Ring	30502510CH	1
3A	Aftercooler	32901460CH	1
3B	Aftercooler - "O" Ring Style	3290146ACH	1
4	Brass Elbow	145D	1
5	8 1/2" Flexible Discharge Hose w/Fitting	145F	1
6	1/4" Drain Cock	132	1
7	Check Valve	CV4X4TA	1
8	Brass Elbow	BREL0250X0125H16	2
9	Hose Clamp	177	2
10	1/4" Nylon Tube	178D (Without Fittings)	Specify Model
	1/4" Brass Nut	BRNT0250	2
	1/4" Brass Sleeve	BRSL0250	2
	1/4" Brass Ring	BRRG0250	2
11	Pilot Unloader Valve	131B	1
	Felt Muffler	131BM	1
	Retainer Ring	131BR	1
12	Nipple	BLNP0250X1500	1
13	Aluminum Block Manifold	154	1
14	Safety Relief Valve	SRV0250N165	1
15	Nipple	BLNP0500X1500	1
16	Quick Coupler	309A	1
17	Accessory Outlet Bracket	210	1
18	3/8" Brass Coupler	BRCP0375X0375H12	2
19	Hose Clamps	177A	2
20	3/8" Rubber Hose	178A	Specify Model
21	1/4" Cap	BLCA0250	1
22	1/4" Rubber Hose	178	Specify Model
23	Rubber Handle Grip	328	2
24	1/4" Drain Cock	132B	2
25	Twin Tank Assembly	TNKASY4090K17	1
26	Rubber Feet	219	4
27	Cotter Pin	181A	2
28	Axle	181	1
29	Fully Pneumatic Wheel	WLS30	1
30	Engine Pulley	PUAK44X0750	1
31	Belt Guard Cover	BG8145	1
32	Belt Guard Base	BG8140B	1
33	Belt	BT4L510	1
34	Pump Flywheel	31007280CH	1
35	Filter/Silencer Assembly	FS14050	1
	Replacement Filter Element	431	1
36	6 HP Kohler Engine - 4090K17	ENG06KOC1	1
	5.5 HP Honda Engine - 4090HK17	ENG05HO1	1
37	Brass Elbow	BREL0250X012539	1
38	Throttle Control Kit	Specify Model	1
39	Pressure Gauge	GA0250200	1
42	Belt Tightening Device	SPT5HP-ANGLE*	1
43	1/4" x 1" Self-Tapping Screw	MIS10008	4
44	Aftercooler Bolt	37302530CH	2
45	Spin Lock Bolt	MIS10094	5
46	5/16" x 7/8" Bolt	MIS10022	2
	5/16" Lockwasher	MIS10099	2
	5/16" x 1 3/8" Flatwasher	MIS10108	2
	<b>(Accessories)</b>		
47	3/8" Lubricator	LUB0375	1
48	3/8" Regulator	REG0375	1
49	3/8" Filter (Water Trap)	FIL0375	1
50	Accessory Bracket	210	1
51	3/8" x 1 1/2" Nipple	BLNP0375X1500	3
52	3/8" Brass Barb Coupling	BRCP0375X0375H12	1
53	1/4" Gauge	GA0250200	1

\*For units built prior to February 2005, order SBT5HP-SQUARE.