

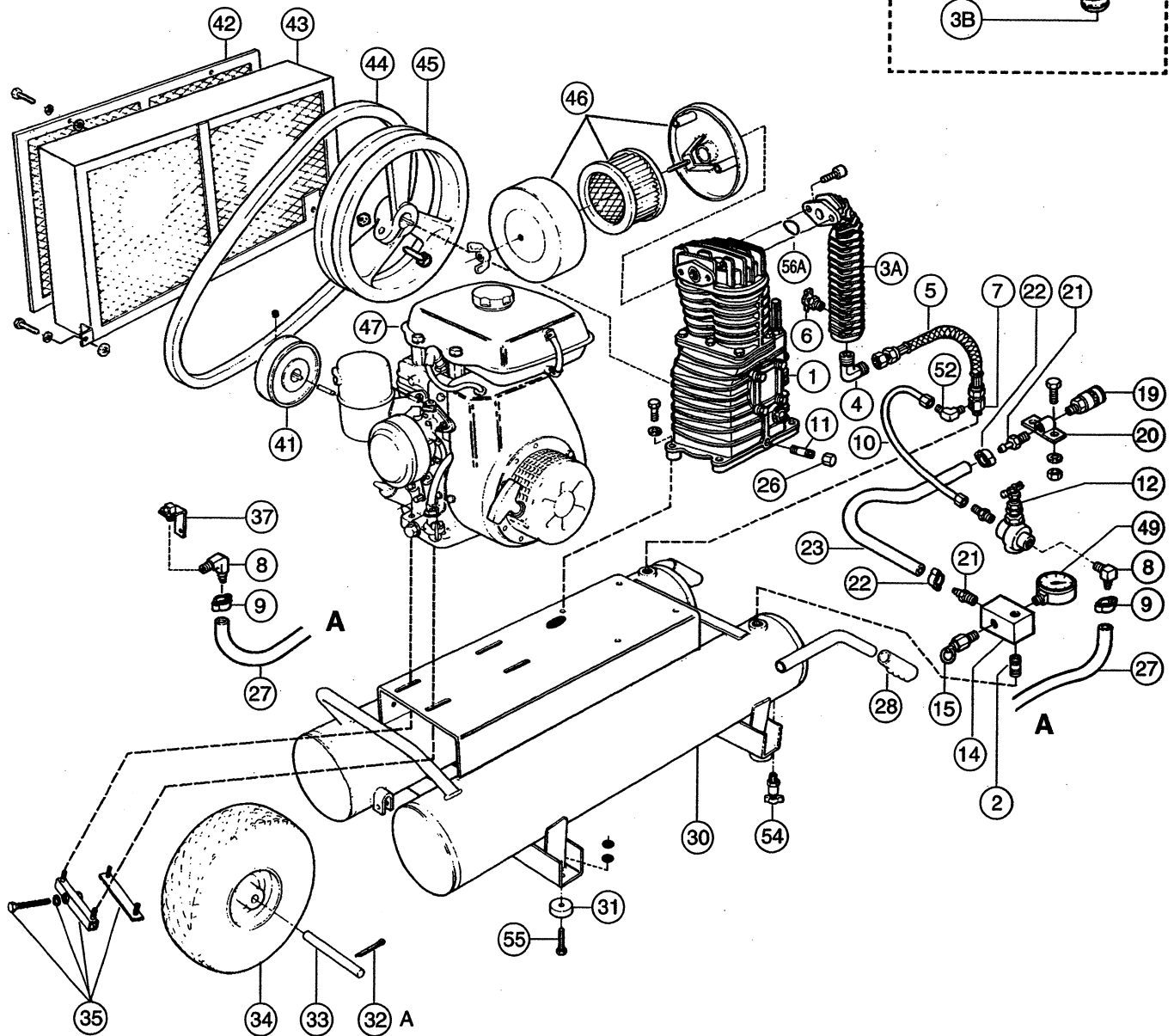
Rol-Air

SCHEMATIC FOR MODELS

1040K18
1040HK18
1040RK18

2040K18
2040HK18
2040RK18

Production Prior to 2/00



2040K18 Model uses (2) WLS30



Associate Engineering Corporation

606 S. Lake Street, P.O. Box 346
 Hustisford Wisconsin 53034-0346
 Phone: 920-349-3281
 Sales Fax: 920.349.3691 Service Fax: 920.349.8861
www.rolair.net

PARTS LIST FOR MODELS

1040K18 2040K18
1040HK18 2040HK18
1040RK18 2040RK18

Schematic #	Description	Part #	Qty.
1	Twin Cylinder Pump w/Flywheel	PMP12K18CH	1
	Twin Cylinder Pump less Flywheel	PMP12K18CHLF	1
2	Nipple	BLNP0500X1500	1
3A	Aftercooler	3290146ACH	1
3B	Aftercooler	3290146ACH & 30502510CH	1
4	Brass Elbow	145D	1
5	8 1/2" Flexible Discharge Hose w/Fitting	145F	1
6	1/4" Drain Cock	132	1
7	Check Valve	CV4X4TA	1
8	Brass Elbow	BREL0250X0125H16	2
9	Hose Clamp	177	2
10	1/4" Nylon Tube	178D	1
11	Nipple	BLNP0250X1500	1
12	Pilot Unloader Valve	131B	1
14	Aluminum Block Manifold	154	1
15	Safety Relief Valve	SRV0250N165	1
19	Quick Coupler	309A	1
20	Accessory Outlet Bracket	210	1
21	3/8" Brass Coupler	BRCP0375X0375H12	2
22	Hose Clamps	177A	2
23	3/8" Rubber Hose	178A	1
26	1/4" Cap	BLC A0250	1
27	1/4" Rubber Hose	178	3
28	Rubber Handle Grip	328	2
30	Twin Tank Assembly	Specify Model	1
31	Rubber Vibration Pads	219	4
32	1/8" x 1 1/2" Cotterpin (2040 Models)	181B	2
32A	3/16" x 2" Axle Cotterpin	181A	2
33	Axle for 1040K18, 1040HK18, & 1040KK18	181	1
34	Fully Pneumatic Tire	WLS30	1
35	Belt Tightening Device (1040K18 & 2040K18)	SBT8HPKO-ANGLE*	1
	(1040HK18, 2040HK18, & 1040RK18, 2040RK18)	SBT8HPHO&KAK17-ANGLE*	1
37	Throttle Control Kit	Specify Engine	1
41	Engine Pulley	PUAK49X1000	1
42	Belt Guard Cover	BG8145	1
43	Belt Guard Base	BG8140B	1
44	Belt	BT4L510	1
45	Pump Flywheel	31007280CH	1
46	Filter/Silencer Assembly	FS14050	1
47	Replacement Filter Element	431	
	8 HP Kohler Engine (1040K18 & 2040K18)	ENG08KOM1	1
	8 HP Honda Engine (1040HK18 & 2040HK18)	ENG08H01	1
	9 HP Robin Engine (1040RK18 & 2040RK18)	ENG09RO1	1
49	Pressure Gauge	GA0250200	1
52	Brass Elbow	BREL0250X012539	1
54	1/4" Drain Cock	132B	2
55	Screw	MIS10008	4
56A	"O" Ring	30502510CH	1
56B	Gasket	30501490CH	1
45	Spin Lock Bolt	MIS10094	5
46	5/16" x 7/8" Bolt	MIS10022	2

*For units built prior to February 2005, order SBT8HP-SQUARE or SBT8HPHO&KA17-SQUARE respectively.