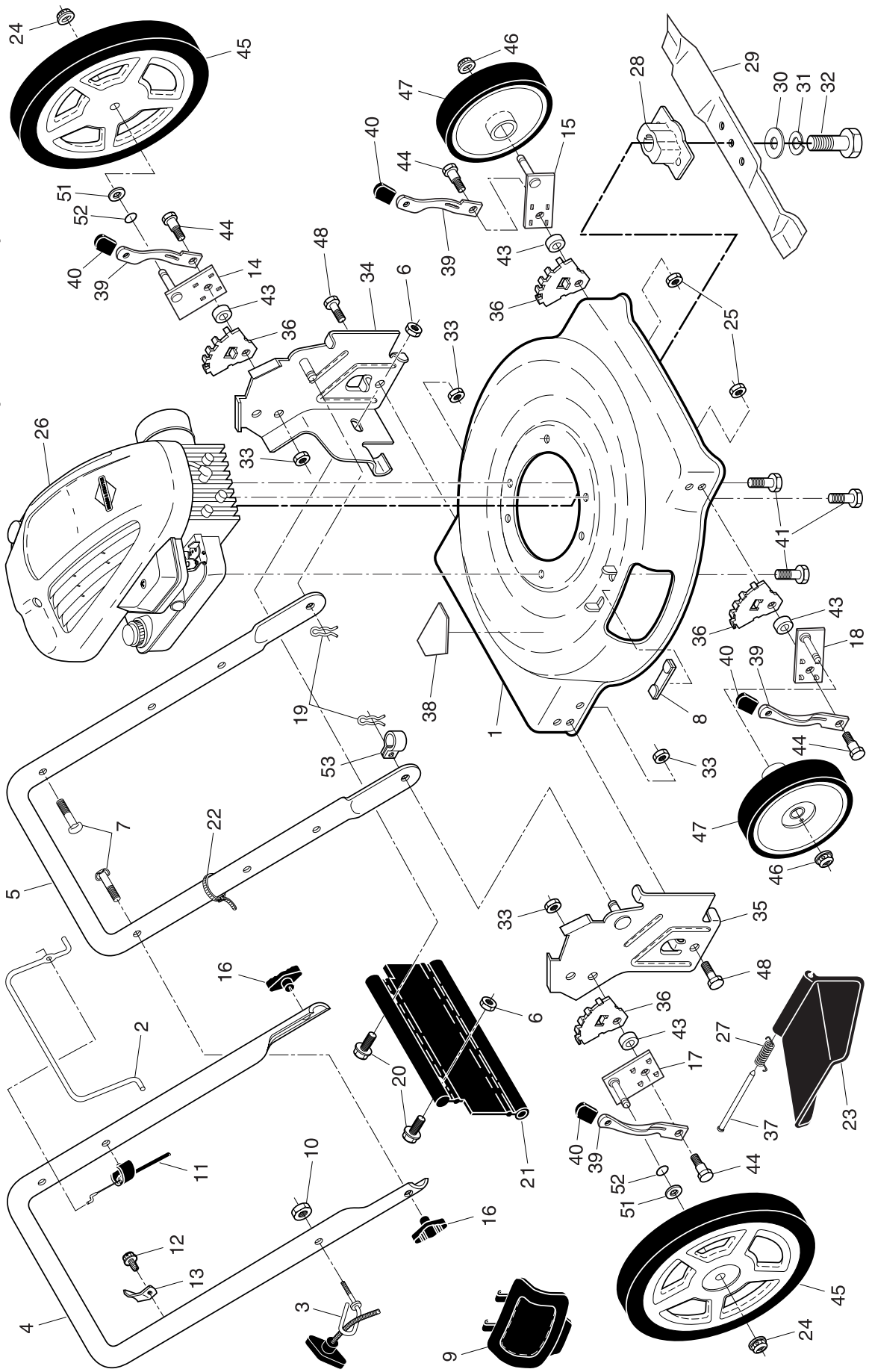


ROTARY LAWN MOWER -- MODEL NUMBER 225114X92E (225114X92E0)



ROTARY LAWN MOWER - - MODEL NUMBER 225114X92E (225114X92E0)

KEY PART NO. NO.	DESCRIPTION	KEY PART NO. NO.	DESCRIPTION
1	198204 Lawn Mower Housing (Includes Key Number 38)	27	193436 Torsion Spring
2	194177X428 Control Bar	28	851514 Blade Adapter
3	179585 Rope Guide	29	141114 22" Blade
4	194179X479 Upper Handle	30	851074 Hardened Washer
5	169708X479 Lower Handle	31	850263 Helical Lockwasher 3/8
6	73800400 Locknut, Hex 1/4-20	32	851084 Screw, Hex Head 3/8-24 x 1-3/8 (Grade 8)
7	191574 Handle Bolt 5/16-18	33	751153 Nut, Hex, Nylock 5/16-18
8	161622 Clip, Closeout	34	196963X479 Handle Bracket, LH
9	160830 Plate, Mulcher	35	196962X479 Handle Bracket, RH
10	132004 Locknut, Hex 1/4-20	36	160835X007 Wheel Bracket Adjuster
11	183281 Engine Zone Control Cable	37	160833 Hinge Rod
12	750634 Hex Washer Head Screw #10-24 x 1/2	38	85463 Danger Decal
13	86899X004 Up-Stop Bracket	39	168360X004 Selector Spring
14	180409X004 Axle Arm Assembly, Rear, LH	40	87877 Selector Knob
15	186577X004 Axle Arm Assembly, Front, LH	41	150406 Hex Head Thread Rolling Screw 3/8-16 x 1
16	189713X428 Handle Knob	43	183901 Spacer
17	180410X004 Axle Arm Assembly, Rear, RH	44	160828 Shoulder Bolt 5/16-18
18	186578X004 Axle Arm Assembly, Front, RH	45	193926X460 Wheel & Tire Assembly, Rear, 12"
19	51793 Hairpin Cotter	46	83923 Nut, Hex, Flangelock 3/8-16
20	74760412 Screw, Hex Cap Head 1/4-20	47	193905X460 Wheel & Tire Assembly, Front, 8"
21	189008 Rear Deflector	48	74760514 Hex Head Bolt 5/16-18
22	66426 Wire Tie	51	88348 Washer, Flat
23	160831 Discharge Guard	52	197480 O-Ring
24	145212 Nut, Hex, Flangelock 3/8-16	53	192770 Clip, Cable
25	166785 Nut, Hex, Flangelock 5/16-18	- -	161058 Warning Decal (not shown)
26	- - - Engine, Briggs & Stratton, Model Number 10M902 (For engine service and replacement parts, call Briggs & Stratton at 1-800-233-3723)	- -	198189 Owner's Manual

NOTE: All component dimensions given in U.S. inches. 1 inch = 25.4 mm. **IMPORTANT:** Use only Original Equipment Manufacturer (O.E.M.) replacement parts. Failure to do so could be hazardous, damage your lawn mower and void your warranty.