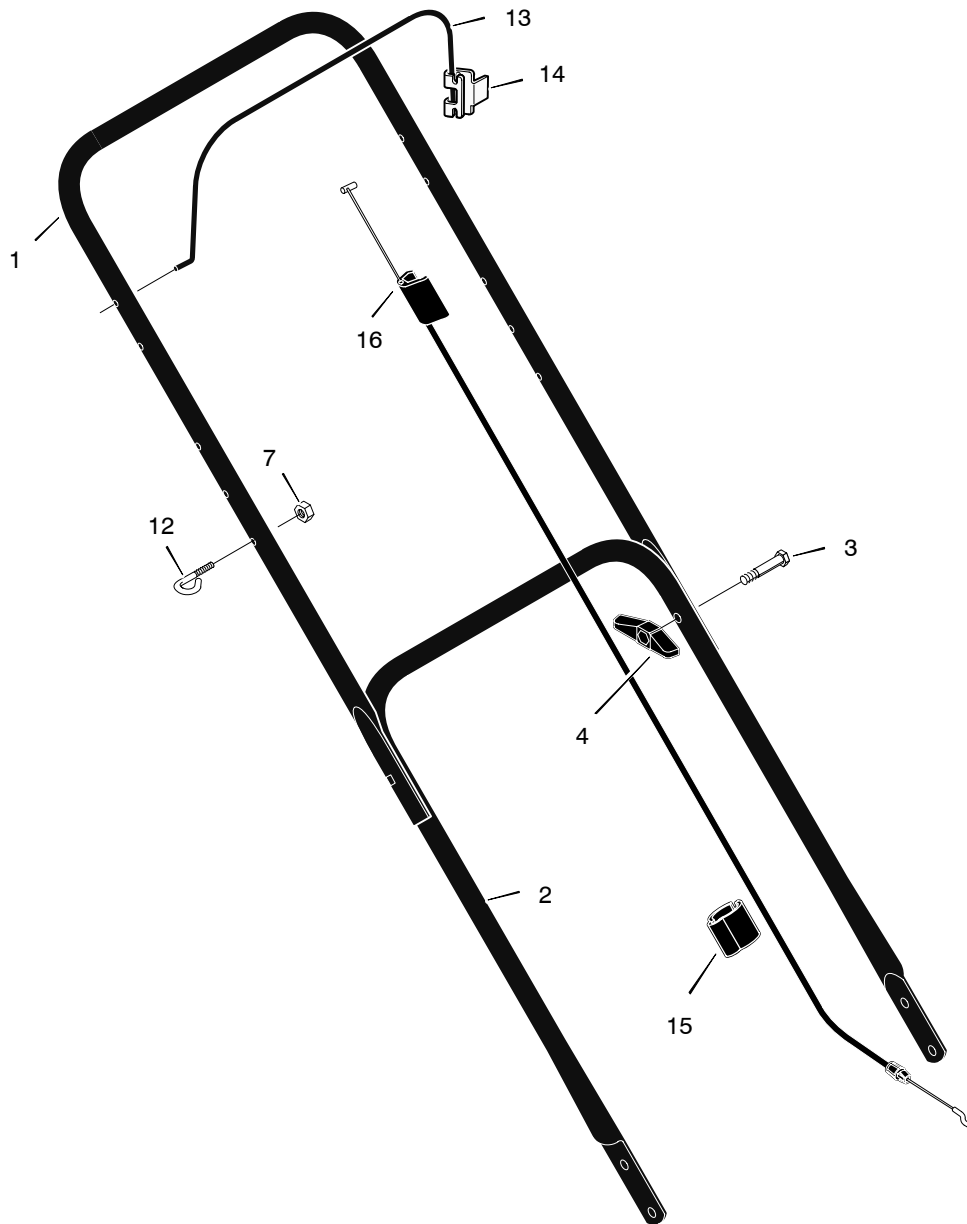


MODEL 224110X92A

MOWER HOUSING ASSEMBLY

KEY NO.	DESCRIPTION	PART NO.
1	Engine, Briggs & Stratton	— ‡ —
2	Housing	776022
3	Height Adjuster, Left Rear	672641
4	Knob	071495
5	Wheel and Tire	672060
6	Locknut, Flange	015x84
7	Bolt, Carriage	002x81
9	Bolt, Engine	0025x6
10	Nut	015x68
11	Height Adjuster, Left Front	672601
12	Washer, Belleville	17x137
13	Washer	17x124
14	Bolt, Hex	01x142
15	Blade	1101120E701
16	Adapter, Blade	071056
17	Height Adjuster, Right Front	672600
18	Height Adjuster, Right Rear	672640
19	Guard, Rear	672738
20	Screw	26x245
21	Deflector, Chute	672421
22	Push-On Cap	028x42
23	Pin, Pivot	215x11 Z
24	Spring	0166x5
25	Baffle <i>—Optional Accessory</i>	672744E701
26	Plate, Mulcher <i>—Optional Accessory</i>	672422 Z
27	Bracket, Left Handle	1101303E7245
28	Bracket, Right Handle	1101302E245
—	Book, Instruction	F-040401L

‡ For information on Replacement Parts for this engine contact the manufacturer.



KEY NO.	DESCRIPTION	PART NO.
1	Handle, Upper (Black)	1101556E701
2	Handle, Lower (Black)	071137E701
3	Bolt	002x77
4	Knob, Plastic	071294
7	Locknut	15x116
12	Guide, Rope	071530
13	Engine Stop Lever	043653E701
14	Bracket, Stop Lever	1101454
15	Fastener, Cable	1101353
16	Engine Stop Cable	1101181