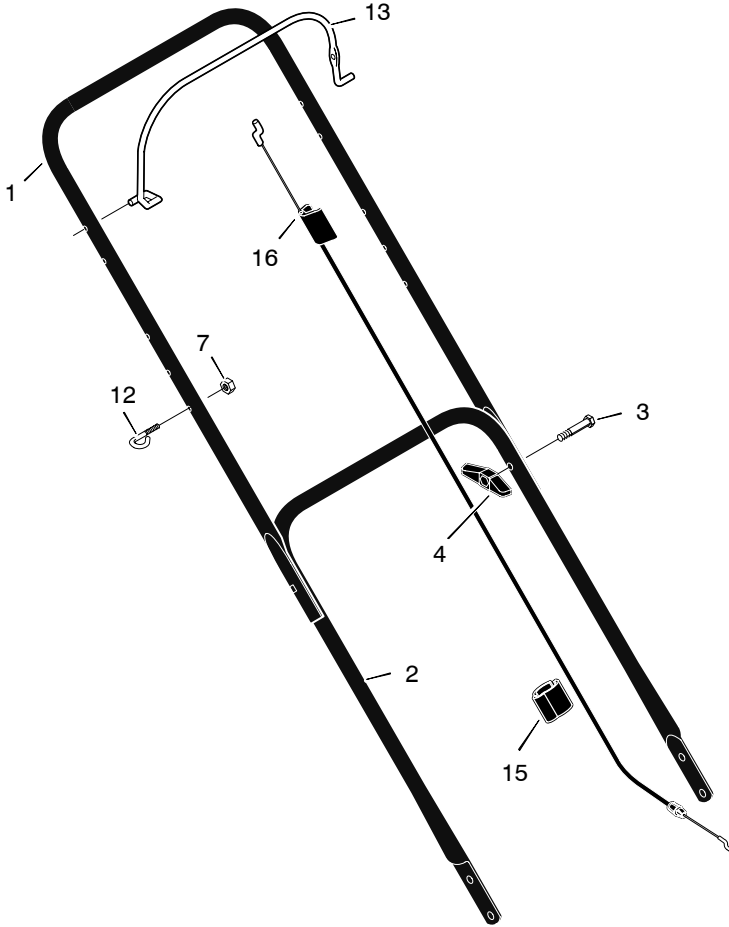
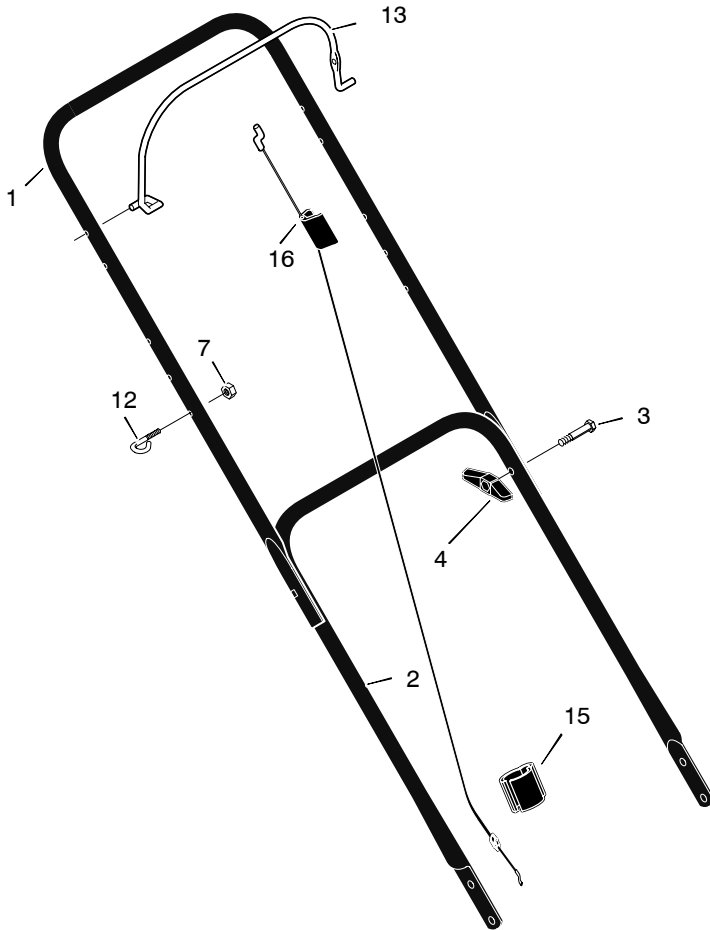


HANDLE - BRIGGS & STRATTON MODELS



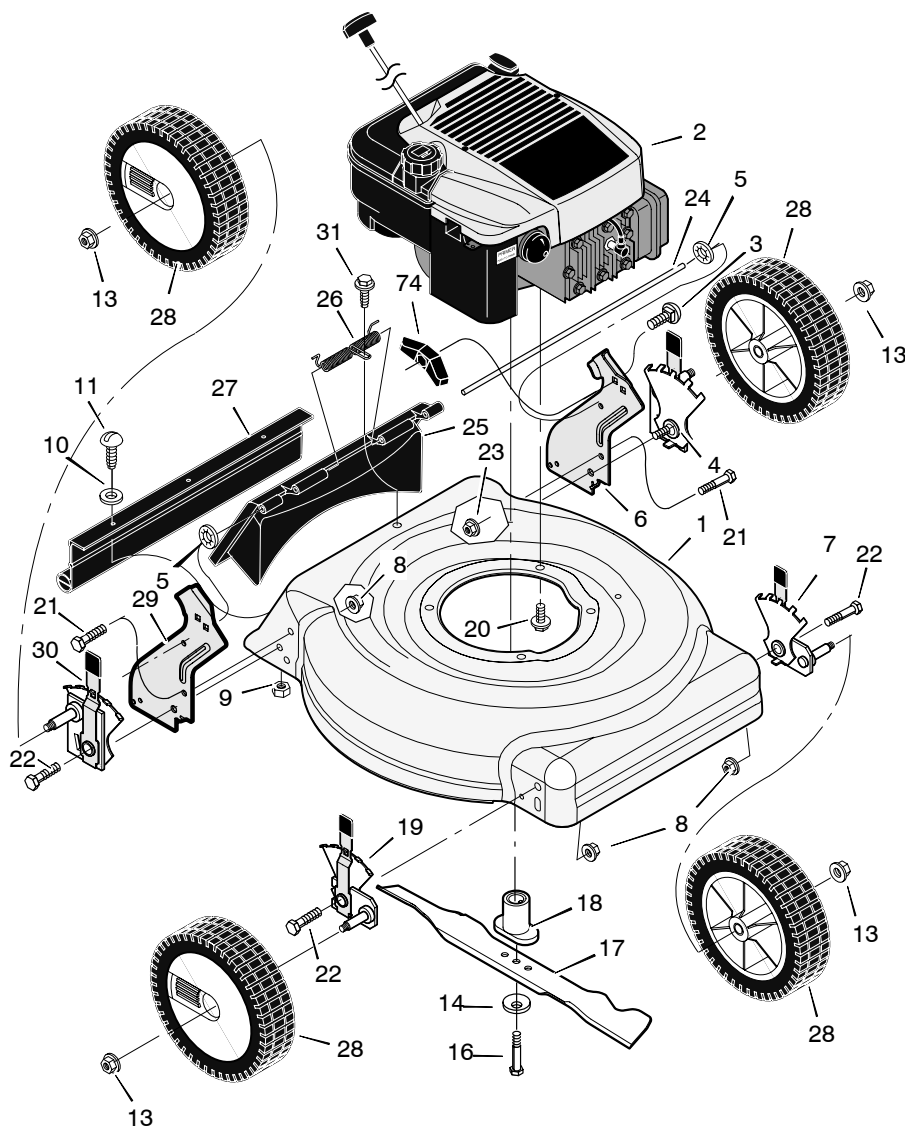
KEY NO.	DESCRIPTION	PART NO.	KEY NO.	DESCRIPTION	PART NO.
1	Handle, Upper (Black) Handle, Upper (Gray)	1101555E701 1101555E724	7	Locknut	15x116
2	Handle, Lower (Black) Handle, Lower (Gray)	1102085E701 1102085E724	12	Guide, Rope	071530
3	Bolt	002x77	13	Lever, Engine Stop	1101963E701
4	Knob, Plastic	071294	15	Clip, Cable	1101353
			16	Engine Stop Cable	1102093

HANDLE - TECUMSEH ENGINE MODELS



KEY NO.	DESCRIPTION	PART NO.	KEY NO.	DESCRIPTION	PART NO.
1	Handle, Upper (Black) Handle, Upper (Gray)	1101555E701 1101555E724	7	Locknut	15x116
2	Handle, Lower (Black) Handle, Lower (Gray)	1102085E701 1102085E724	12	Guide, Rope	071530
3	Bolt	002x77	13	Lever, Engine Stop	1101963E701
4	Knob, Plastic	071294	15	Clip, Cable	1101353
			16	Engine Stop Cable	1102036

MULCHER MODELS



MULCHER MODELS

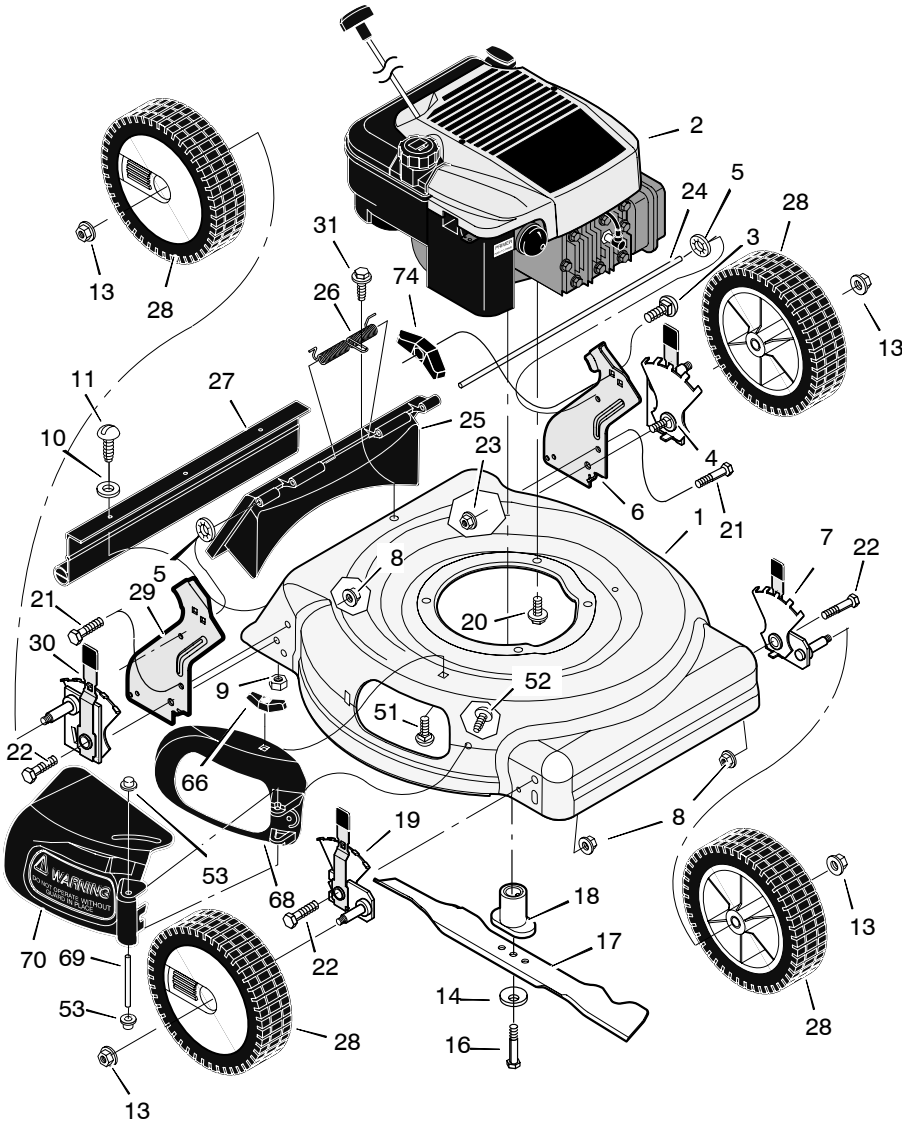
KEY NO.	DESCRIPTION	PART NO.	KEY NO.	DESCRIPTION	PART NO.
1	Housing	776150	18	Adapter, Blade	1101824
2	Engine *	*	19	Adjuster, Right Front Height	672600
3	Bolt, Carriage	002x81	20	Bolt, Engine	0025x6
4	Adjuster, Left Rear Height	672605	21	Bolt	001X45
5	Nut, Push **	028x49	23	Nut, Flange	015x79
6	Bracket, Left Handle	1101239E700	24	Rod, Pivot **	215x17 Z
7	Adjuster, Left Front Height	672601	25	Door, Rear (Black) Door, Rear (Gray)	672610 672612
8	Nut, Flange	015x68	26	Spring **	166x44
9	Nut, Hex	15x102	27	Guard, Rear	671970
10	Washer	017x38	28	Wheel & Tire #	#
11	Screw	004x21	29	Bracket, Right Handle	1101238E700
13	Nut, Flange	015x84	30	Adjuster, Right Rear Height	672604
14	Washer, Belleville	1101989	31	Screw	26x245
16	Bolt	01x153	74	Knob	071495
17	Blade	1101822E701	--	Instruction Book	F-050405L

* For information on Replacement Parts for this engine contact the manufacturer.

** These parts are included with Key 25.

See the Wheel and Tire Parts List page.

SIDE DISCHARGE MODELS



SIDE DISCHARGE MODELS

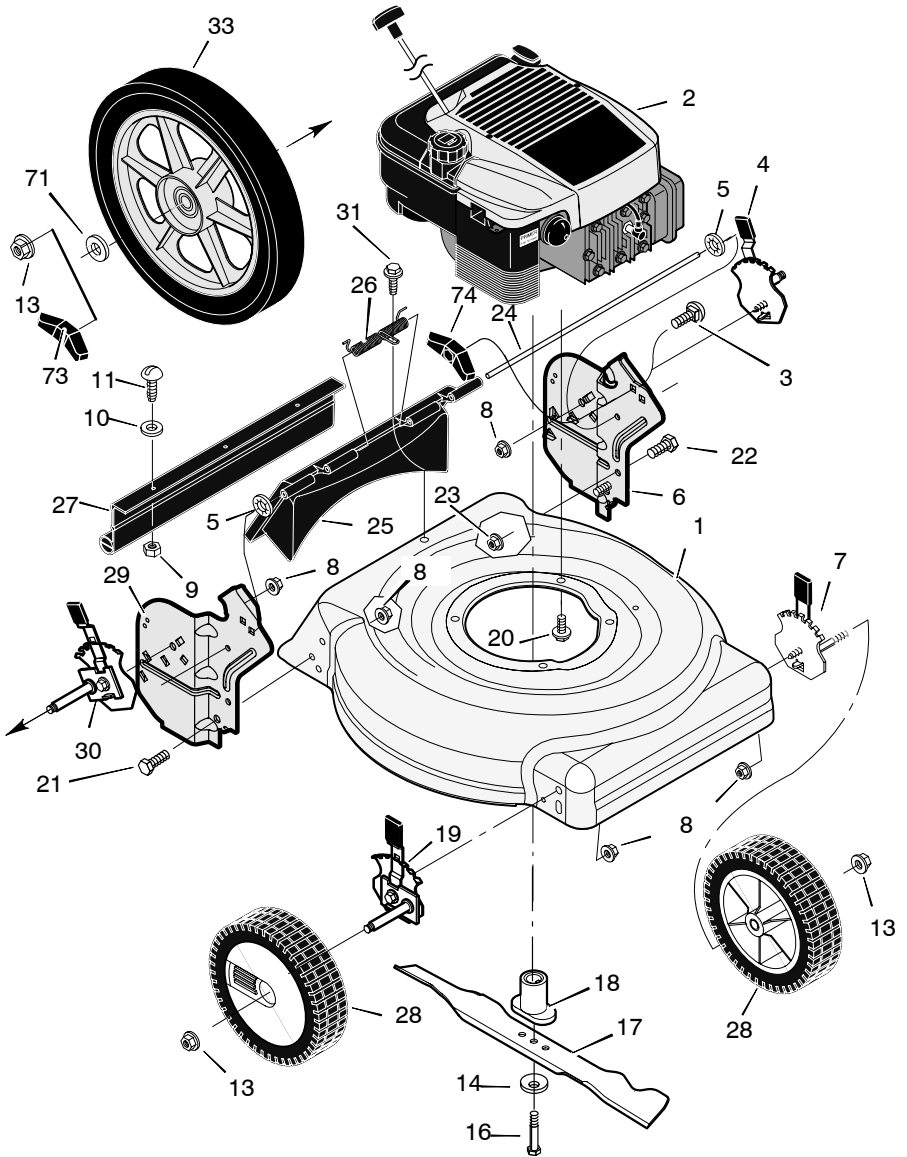
KEY NO.	DESCRIPTION	PART NO.	KEY NO.	DESCRIPTION	PART NO.
1	Housing	776151	24	Rod, Pivot **	215x17 Z
2	Engine *	*	25	Door, Rear (Black)	672610
3	Bolt, Carriage	002x81		Door, Rear (Gray)	672612
4	Adjuster, Left Rear Height	672605	26	Spring **	166x44
5	Retainer, Push **	028x49	27	Guard, Rear	671970
6	Bracket, Left Handle	1101239E700	28	Wheel & Tire #	#
7	Adjuster, Left Front Height	672601	29	Bracket, Right Handle	1101238E700
8	Nut, Flange	015x68	30	Adjuster, Right Rear Height	672604
9	Nut, Hex	15x102	31	Screw	26x245
10	Washer	017x38	51	Bolt, Carriage	002x16
11	Screw	004x21	52	Screw	26x221
13	Nut, Flange	015x84	53	Push On Cap	028x42
14	Washer, Belleville	1101989	66	Wingnut	014x86
16	Bolt	01x153	68	Bezel (Black)	671926
17	Blade	1101822E701		Bezel (Gray)	672190
18	Adapter, Blade	1101824	69	Pin, Pivot	215x18Z
19	Adjuster, Right Front Height	672600	70	Deflector, Chute (Black)	671927
20	Bolt, Engine	0025x6		Deflector, Chute (Gray)	672191
21	Bolt	001x45	74	Knob	071495
23	Nut, Flange	015x79	--	Instruction Book	F-050405L

* For information on Replacement Parts for this engine contact the manufacturer.

** These parts are included with Key 25.

See the Wheel and Tire Parts List page.

MULCHER MODELS WITH 12" REAR WHEELS



MULCHER MODELS WITH 12" REAR WHEELS

KEY NO.	DESCRIPTION	PART NO.	KEY NO.	DESCRIPTION	PART NO.
1	Housing	776152	21	Bolt	001x85
2	Engine *	*	22	Bolt	001x45
3	Bolt, Carriage	002x81	23	Nut, Flange	015x79
4	Adjuster, Left Rear Height	672607	24	Rod, Pivot **	215x17 Z
5	Push On Cap	028x49	25	Door, Rear (Black) Door, Rear (Gray)	672610 672612
6	Bracket, Left Handle	1101245E700	26	Spring **	166x44
7	Adjuster, Left Front Height	672601	27	Guard, Rear	671969
8	Nut, Flange	015x68	28	Wheel & Tire #	#
9	Nut, Hex	15x102	29	Bracket, Right Handle	1101244E700
10	Washer	017x38	30	Adjuster, Right Rear Height	672606
11	Screw	004x21	31	Screw	26x245
13	Nut, Flange	015x84	33	Wheel, Rear #	#
14	Washer, Belleville	1101989	71	Washer	017x91 Z
16	Bolt	01x153	73	Knob	672449
17	Blade	1101822E701	74	Knob	071495
18	Adapter, Blade	1101824	--	Instruction Book	F-050405L
19	Adjuster, Right Front Height	672600			
20	Bolt, Engine	0025x6			

* For information on Replacement Parts for this engine contact the manufacturer.

** These parts are included with Key 25.

See the Wheel and Tire Parts List page.

SIDE DISCHARGE MODELS WITH 12" REAR WHEELS

KEY NO.	DESCRIPTION	PART NO.	KEY NO.	DESCRIPTION	PART NO.
1	Housing	776153	25	Door, Rear (Black)	672610
2	Engine *	*		Door, Rear (Gray)	672612
3	Bolt, Carriage	002x81	26	Spring **	166x44
4	Adjuster, Left Rear Height	672607	27	Guard, Rear	671969
5	Push On Cap **	028x49	28	Wheel & Tire #	#
6	Bracket, Left Handle	1101245E700	29	Bracket, Right Handle	1101244E700
7	Adjuster, Left Front Height	672601	30	Adjuster, Right Rear Height	672606
8	Nut, Flange	015x68	31	Screw	26x245
9	Nut, Hex	15x102	33	Wheel, Rear #	#
10	Washer	017x38	51	Bolt, Carriage	002x16
11	Screw	004x21	52	Screw	26x221
13	Nut, Flange	015x84	65	Push On Cap	028x42
14	Washer, Belleville	1101989	66	Wingnut	071495
16	Bolt	01x153	68	Bezel (Black)	671926
17	Blade	1101822E701		Bezel (Gray)	672190
18	Adapter, Blade	1101824	69	Pin, Pivot	215x18Z
19	Adjuster, Right Front Height	672600	70	Deflector, Chute (Black)	671927
20	Bolt, Engine	0025x6		Deflector, Chute (Gray)	672191
21	Bolt	001x85	71	Washer	017x91 Z
22	Bolt	001x45	73	Knob	672449
23	Nut, Flange	015x79	74	Knob	071495
24	Rod, Pivot **	215x17 Z	--	Instruction Book	F-050405L

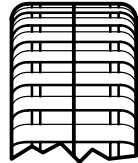
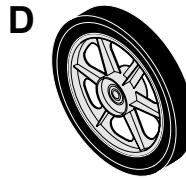
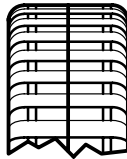
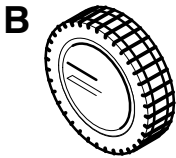
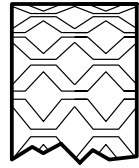
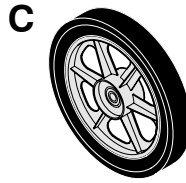
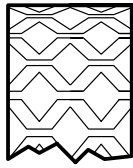
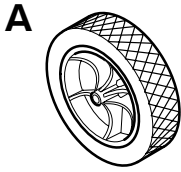
* For information on Replacement Parts for this engine contact the manufacturer.

** These parts are included with Key 25.

See the Wheel and Tire Parts List page.

WHEELS AND TIRES

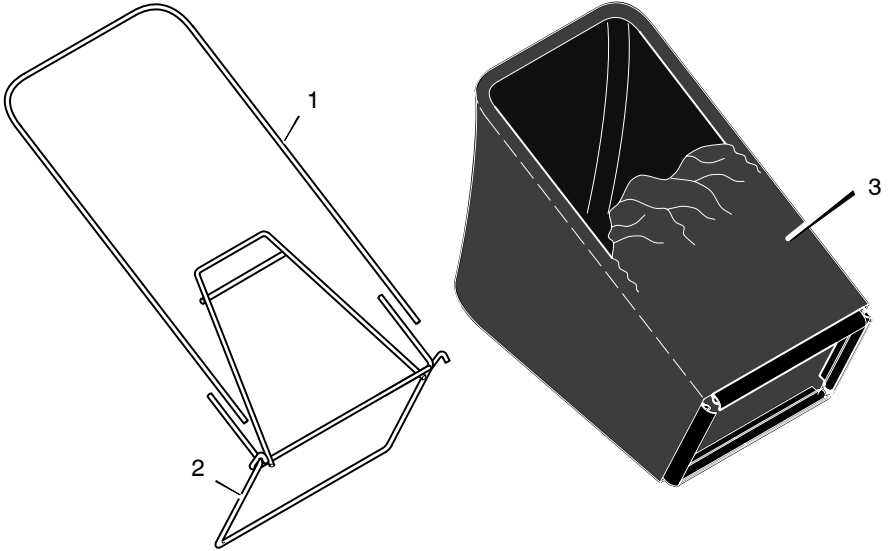
Look at the illustrations. Select the wheel and the tire you want and order from the following chart.



WHEEL SIZE & TYPE	A	B	C	D
6-inch Plastic, White	672788	----	----	----
6-inch Plastic, Gray	672789	----	----	----
7-inch Plastic, White	020270	----	----	----
7-inch Plastic, Gray	071597	----	----	----
8-inch Plastic, White	020271	----	----	----
8-inch Plastic, Gray	672060	071132	----	----
8-inch Ball Bearing, Gray	----	071134	----	----
12-inch, Gray	----	----	1102158	1102159

GRASS BAG

NOTE: On some models, the Grass Bag Assembly is an *OPTIONAL ACCESSORY* and is not included with the unit. On these models, the Grass Bag can be purchased and easily installed.



KEY NO.	DESCRIPTION	PART NO.
1	Frame, Top	71592
2	Frame Assembly	672905
3	Bag, Cloth - Black	1101003