

MODEL 204211X92A

MOWER HOUSING ASSEMBLY

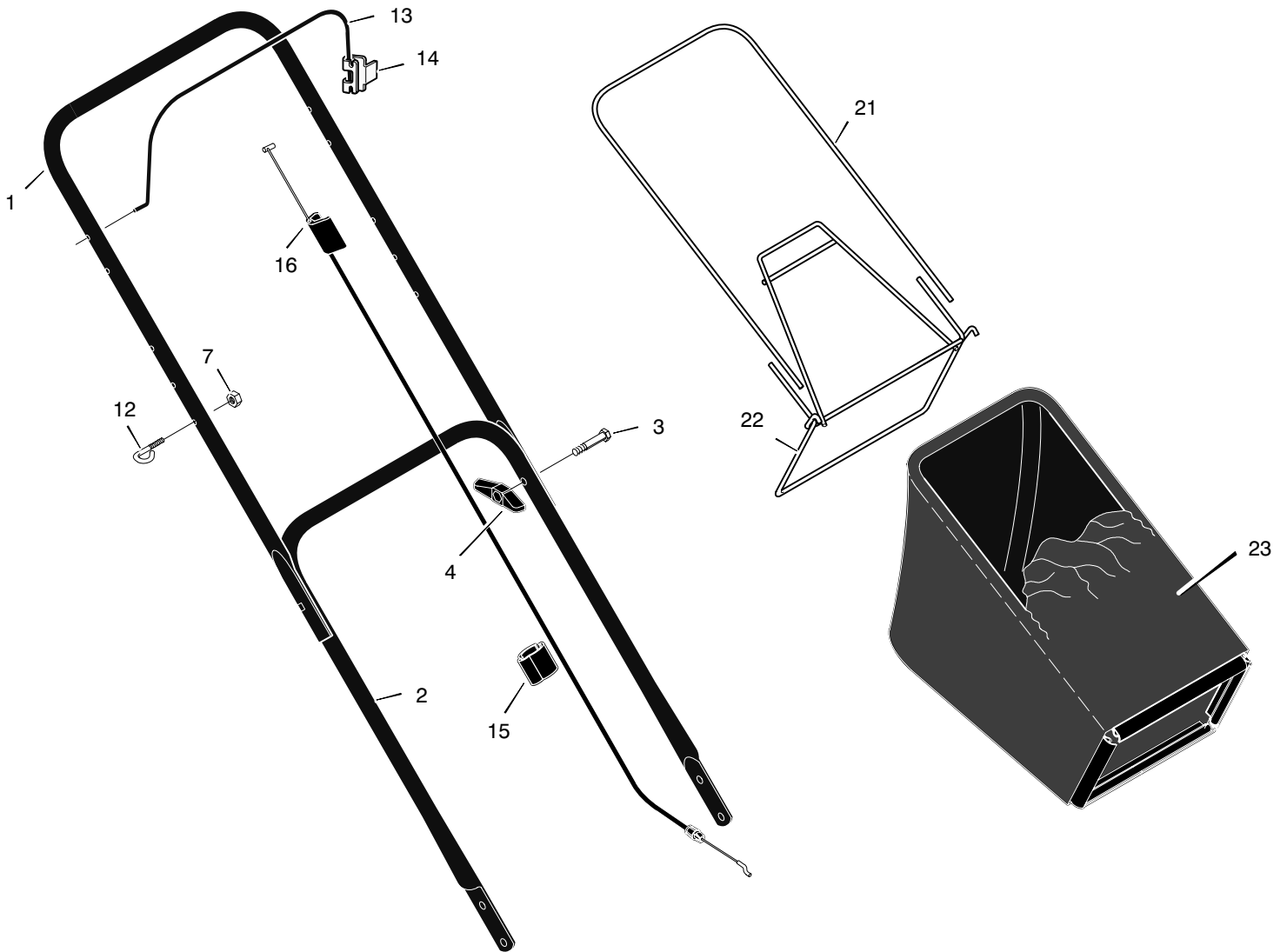
KEY NO.	DESCRIPTION	PART NO.	KEY NO.	DESCRIPTION	PART NO.
1	Housing	776150	18	Adapter, Blade	672503
2	Engine, Briggs & Stratton	*	19	Adjuster, Right Front Height	672600
3	Bolt, Carriage	002x81	20	Bolt, Engine	0025x6
4	Adjuster, Left Rear Height	672605	21	Bolt	001x45
5	Nut, Push **	028x49	23	Nut, Flange	015x79
6	Bracket, Left Handle	1101239E245	24	Rod, Pivot **	215x17 Z
7	Adjuster, Left Front Height	672601	25	Door, Rear (Black)	672610
8	Nut, Flange	015x68	26	Spring **	166x44
9	Nut, Hex	15x102	27	Guard, Rear	671970
10	Washer	017x38	28	Wheel & Tire	672060
11	Screw	004x21	29	Bracket, Right Handle	1101238E245
13	Nut, Flange	015x84	30	Adjuster, Right Rear Height	672604
14	Washer, Belleville	17x137	31	Screw	26x245
15	Washer	17x124	74	Knob	071495
16	Bolt	01x153	—	Instruction Book	F-040403L
17	Blade	672763E701			

* For information on Replacement Parts for this engine contact the manufacturer.

** These parts are included with Key 25.

MODEL 204211X92A

HANDLE & BAG ASSEMBLY



KEY NO.	DESCRIPTION	PART NO.
1	Handle, Upper (Black)	1101555E701
2	Handle, Lower (Black)	672874E701
3	Bolt	002x77
4	Knob, Plastic	071294
7	Locknut	15x116
12	Guide, Rope	071530
13	Engine Stop Lever	671924E701
14	Bracket, Stop Lever	1101454
15	Fastener, Cable	1101353
16	Engine Stop Cable	1101362
21	Frame, Top	071592
22	Frame Assembly	672905
23	Bag, Cloth – Black	1101003