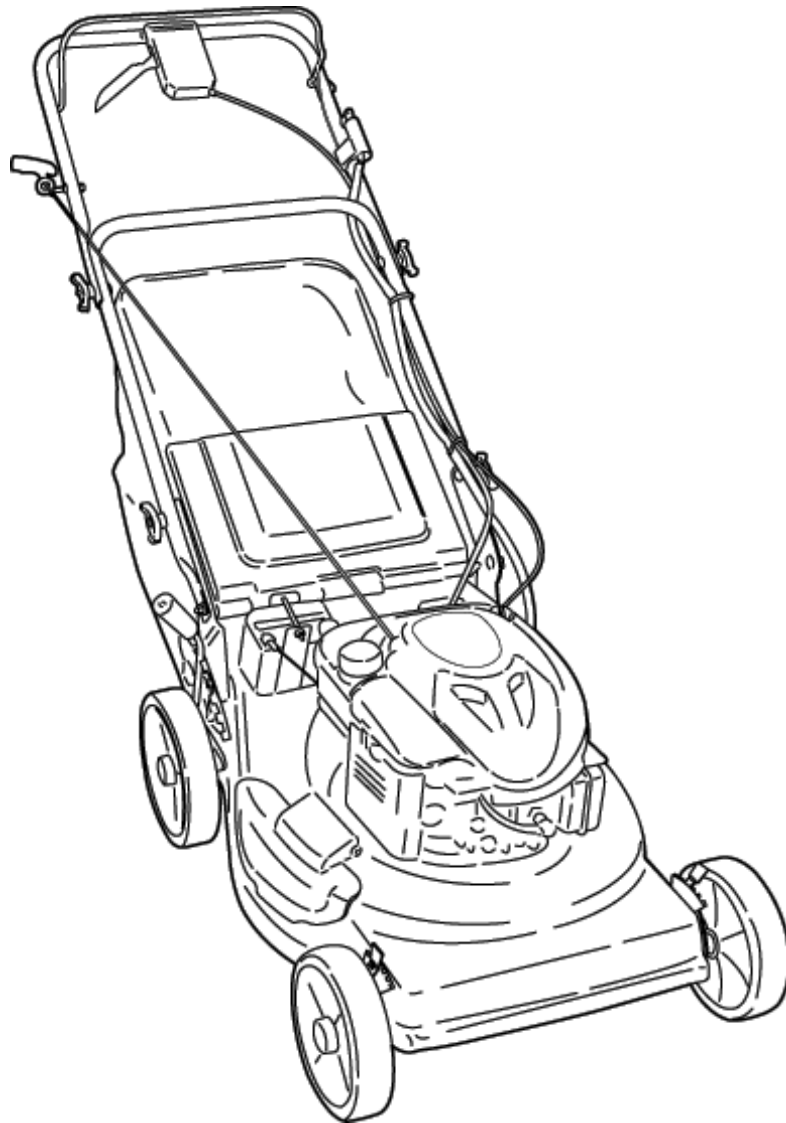


BTPV21675E

Parts Manual



Manual Part No. 7006263

Revision 02

Rev. Date 03/2008

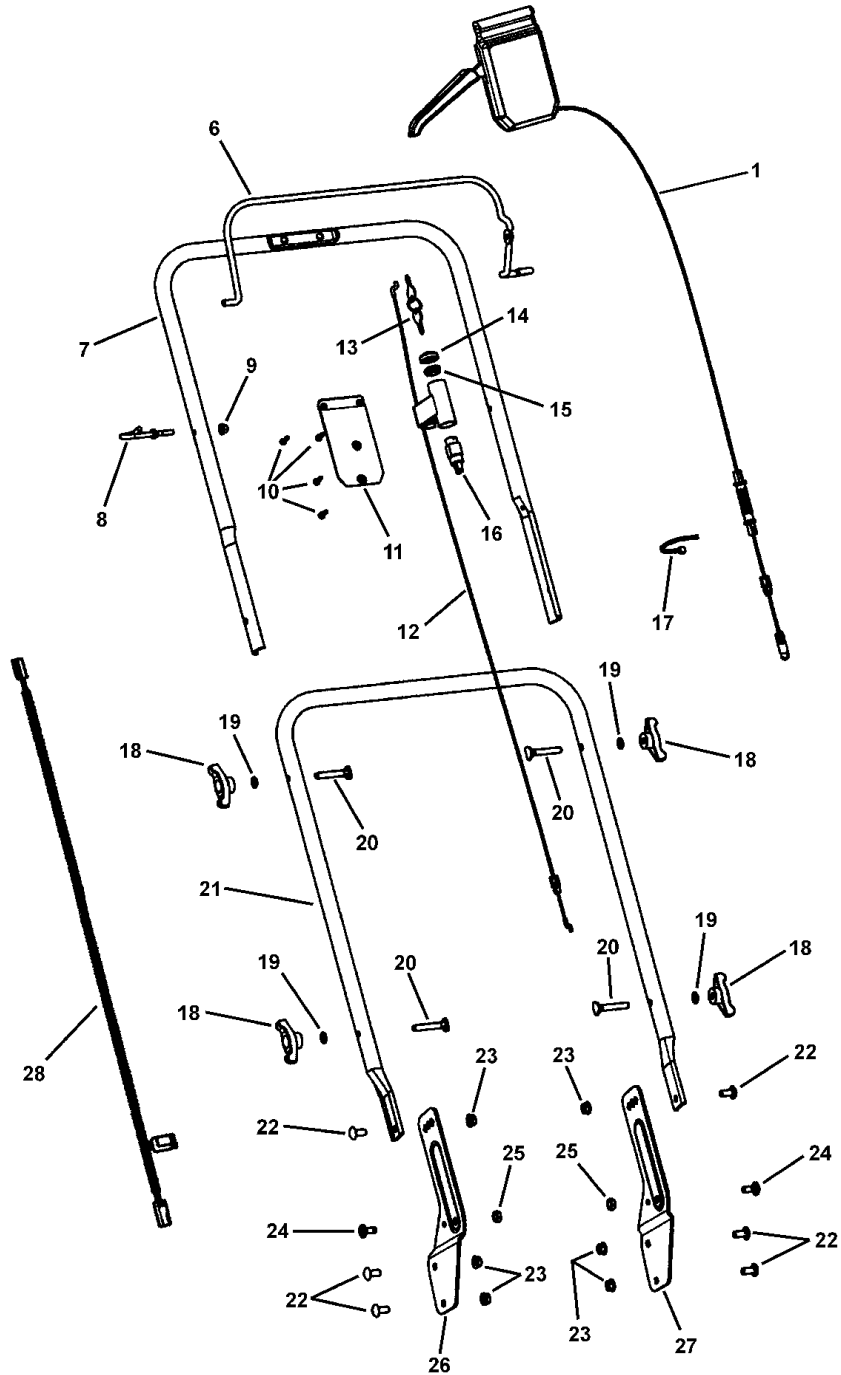
TP 400-4845-02-WM-J

PRODUCT COMPONENTS	PAGES
Handles and Controls	4
Engine and Blade Assembly	6
Transmission, Front and Rear Wheels	8
Decals	10
Deck Assembly	12
Front Height-of-Cut Assemblies	16
Wiring Schematic	18
Torque Specification Chart	Inside Back Cover

Handles and Controls

NOTE: Unless noted otherwise, use the standard hardware torque specification chart.

Y:\Images\11\2008\BTPV21675E\BT21_hcs



The above parts group applies to the following Mfg. Nos.:

7800268 - BTPV21675E 21" 6.75GT Variable Speed Electric Start M

Handles and Controls

REF NO	PART NO.	DESCRIPTION
1	7101892MA	CONTROL HEAD ASSEMBLY, SINGLE SPEED, BRUTE
6	7101731AMA	BAIL, OPC PROPELLED BRUTE
7	7300676AMA	HANDLE, UPPER, BRUTE, PROPELLED
8	7028488MA	GUIDE, ROPE (1/4-20 thread)
9	2860694SM	NUT, HEX FLANGE, 1/4-20, ESNA, YZ
10	7100225YP	#8-16 TORXPLUS RECESSED PAN HEAD, TWIN HELIX
11	7300130AMA	CONTROL PANEL PLATE
12	7101872MA	CABLE, BAIL, 21" WBM, BRUTE, ES
13	7011138YP	IGNITION KEY PAIR
14	7100330YP	CAP, E-START
15	7100329YP	NUT, 5/8"-32 E-START
16	7028765YP	SWITCH, E/S (START/RUN)
17	7024649YP	WIRE TIE, 11 INCH STD BLK NYLON
18	7035744YP	KNOB, 5/16-18 WING (BLACK)
19	7090391SM	WASHER, 5/16
20	7091189YP	CHSNB, 5/16-18 X 2 GR2
21	7300592AMA	HANDLE, LOWER 21" RD, JD
22	7091508SM	BOLT, 5/16-18 X 3/4 GR5 YZ
23	7091601SM	FLANGE NUT, 5/16-18 YZ
24	1931333SM	BOLT, 5/16-18 X 3/4 GR5 BZ
25	1920161SM	NUT, Hex Jam, 5/16-18
26	7300573ZMA	LOWER HANDLE BRACKET, LH, JD 21" WBM, RD
27	7300574ZMA	LOWER HANDLE BRACKET, RH, JD 21" WBM, RD
28	7101504YP	WIRE HARNESS, SNAPPER, RD 21"

Footnotes

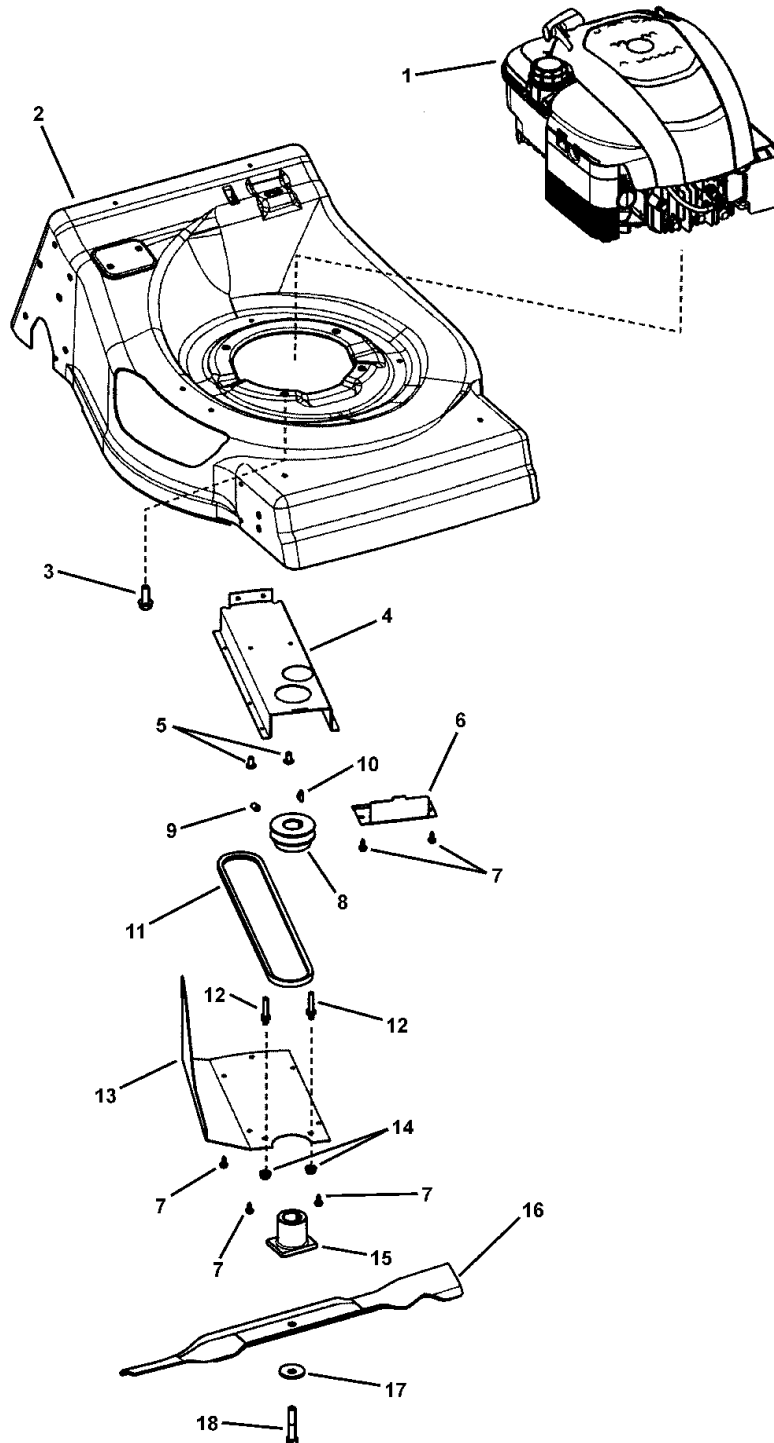
The above parts group applies to the following Mfg. Nos.:

7800268 - BTPV21675E 21" 6.75GT Variable Speed Electric Start M

Engine and Blade Assembly

NOTE: Unless noted otherwise, use the standard hardware torque specification chart.

Y:\Images\11\2008\BTPV21675E\BT21engb



The above parts group applies to the following Mfg. Nos.:

7800268 - BTPV21675E 21" 6.75GT Variable Speed Electric Start M

Engine and Blade Assembly

REF NO	PART NO.	DESCRIPTION
1	-----	* ENGINE, B&S, 675 SER, ES, X, B3 Mod. 126T05-0677-B3
2	7300931ZMA	DECK, 21" BRUTE, RD
3	7090324SM	BOLT, 3/8-16 X 1
4	7300725ZMA	BELT GUARD
5	7091200YP	PHST, 1/4-20 X 1/2 TORX
6	7300724ZMA	COVER, BELT
7	26x259MA	SCREW, #10X1/2, AB, W/WASHER
8	7100437YP	PULLEY, ENGINE
9	7092086YP	HRSS 5/16-18X1/2
10	7091214YP	KEY, #HP-506 HI-PRO
11	7100883YP	BELT, 3L, TRACTION DRIVE, 21" PIVOT HANDLE 32.86" Effective Length
12	7101313YP	BELT GUIDE, ENGINE, 21" RD (1/4-20 thread)
13	7300596ZMA	COVER, BELT GUARD
14	7091584SM	NUT, 1/4 X 20 YZ
15	7101414YP	HUB, BLADE, 21" WBM, RD, 2 POSITION
16	7100242YP	BLADE, WAVE, 21" STEEL DECK
17	7012063SM	WASHER, CONE
18	7090167SM	CAPSCREW, 3/8-24 X 2 GR5

Footnotes

NOTE: * Purchase engine parts from engine manufacturer dealer.

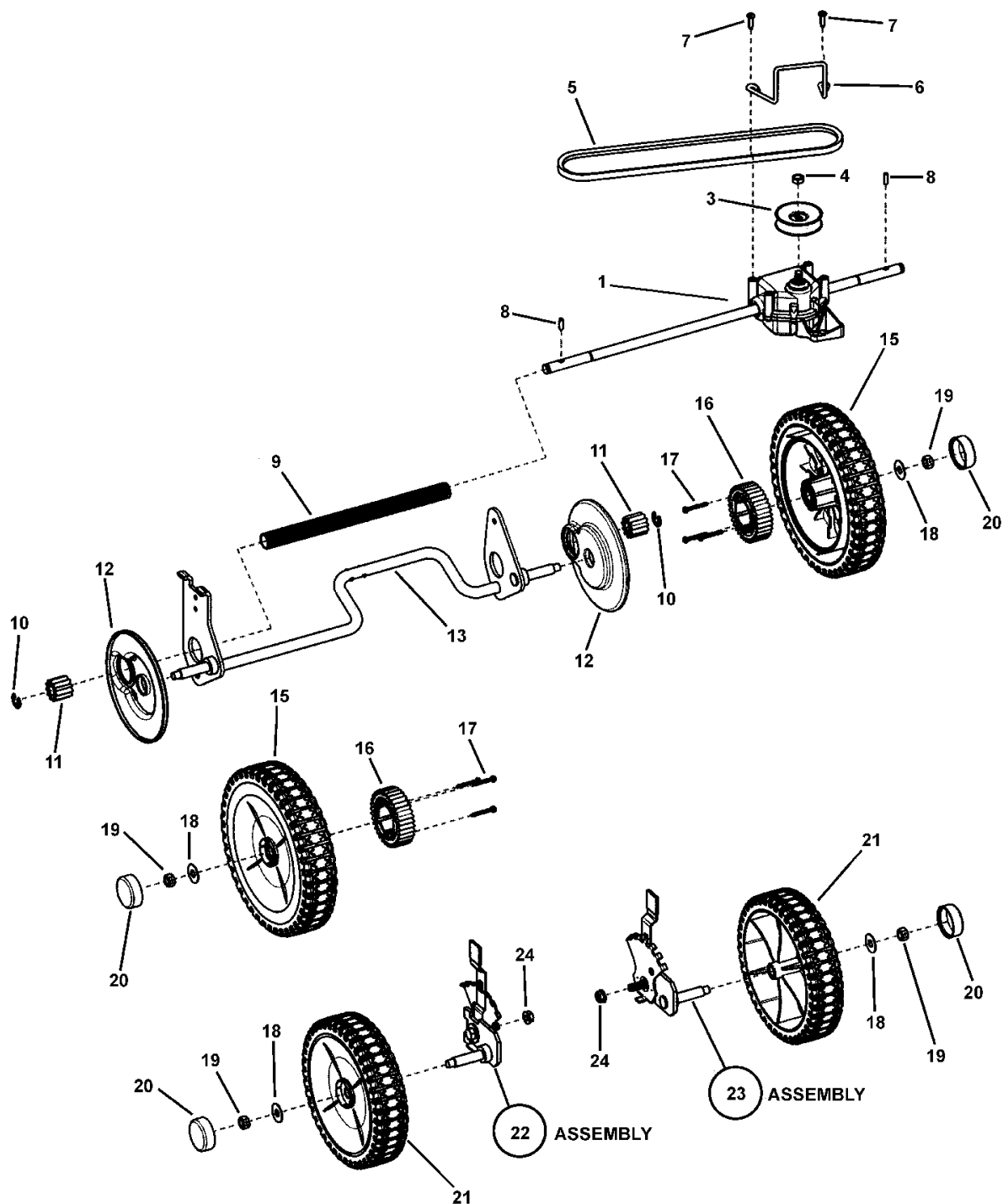
The above parts group applies to the following Mfg. Nos.:

7800268 - BTPV21675E 21" 6.75GT Variable Speed Electric Start M

Transmission, Front and Rear Wheels

NOTE: Unless noted otherwise, use the standard hardware torque specification chart.

Y:\Images\11\2008\BTPV21675E\BT21whee



The above parts group applies to the following Mfg. Nos.:
7800268 - BTPV21675E 21" 6.75GT Variable Speed Electric Start M

Transmission, Front and Rear Wheels

REF NO	PART NO.	DESCRIPTION
2	7101245YP	TRANSMISSION, 21" WBM, RD, SNAPPER
3	7100240YP	PULLEY, TRANS VAR SPD LC WBM
4	1960251SM	NUT, JAM, 3/8-16 BLK
5	7100883YP	BELT, 3L, TRACTION DRIVE, 21" PIVOT HANDLE 32.86" Effective Length
6	7100863YP	BELT GUIDE, TRANSMISSION
7	7091195SM	SCREW, #10-16 X 3/4, COMBO
8	7100861YP	PIN, AXLE
9	043649MA	SHIELD, AXLE
10	7014341YP	RETAINING RING
11	7100820YP	GEAR, PINION
12	7101367YP	SHIELD DUST, 21" WBM, RD
13	7400203ZMA	WELDMENT, REAR CROSSBAR 21" WBM, RD also shown on Deck Assembly page
15	7500688MA	WHEEL ASSEMBLY, W/BEARING 9" ST TRD, BRUTE incl. 2 ball bearings, p/n 710138
16	7100914YP	GEAR, EXTERNAL WHEEL
17	7091196SM	SCREW, #8 X 1-1/4, HI-LO
18	17x169MA	WASHER, FLAT, 1" OD X .387 ID
19	7091585SM	NUT, 3/8-16 YZ
20	7101351MA	HUBCAP, ROUND, BLACK
21	7101712MA	WHEEL, 8"X 2" IDLE, W/DB TRD, BRUTE YELLOW
22	--	HEIGHT OF CUT ASSEMBLY, RF, BRUTE 21, 7 POSITION Shown on Deck Assembly page
23	--	HEIGHT OF CUT ASSEMBLY, LF, BRUTE 21, 7 POSITION Shown on Deck Assembly page
24	7900053MA	NUT, 3/8-16, BRIGHT ZINC

Footnotes

The above parts group applies to the following Mfg. Nos.:

7800268 - BTPV21675E 21" 6.75GT Variable Speed Electric Start M

Decals

NOTE: Unless noted otherwise, use the standard hardware torque specification chart.

Y:\Images\11\2008\BTPV21675E\BT21deca



The above parts group applies to the following Mfg. Nos.:
7800268 - BTPV21675E 21" 6.75GT Variable Speed Electric Start M

Decals

REF NO	PART NO.	DESCRIPTION
1	7101394YP	DECAL, WARNING, REAR DISCHARGE DOOR
2	7013010SM	DECAL, DANGER, CUT FINGER
3	7101911MA	DECAL, ENGINE, TP, BRUTE 675
4	7101813MA	DECAL, DECK FRONT, 21" BRUTE, VS
5	7101814MA	DECAL, CONTROL HEAD 21" BRUTE
6	7029782MA	DECAL, OPC BAIL INTERNATIONAL SYMBOL

Footnotes

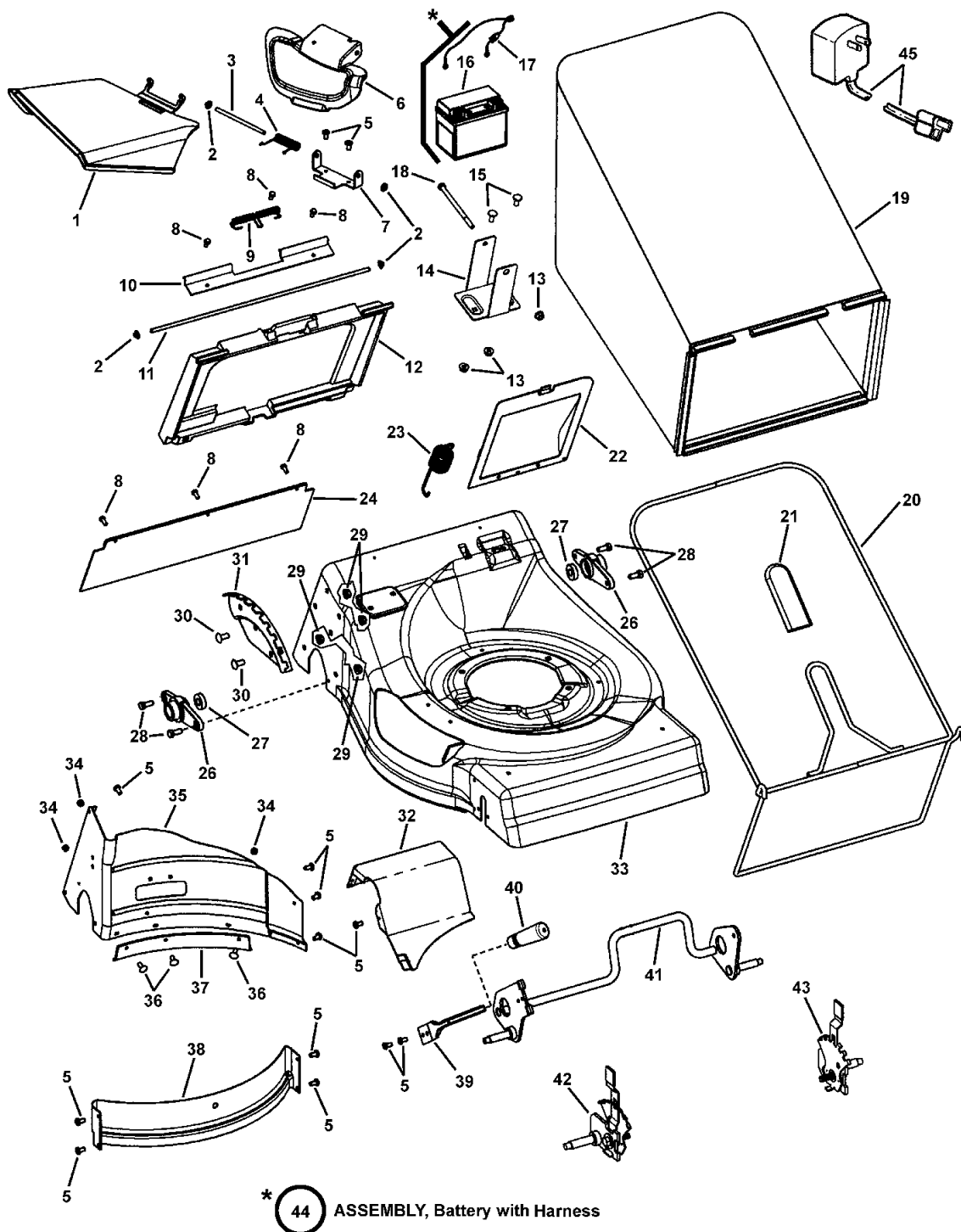
The above parts group applies to the following Mfg. Nos.:

7800268 - BTPV21675E 21" 6.75GT Variable Speed Electric Start M

Deck Assembly

NOTE: Unless noted otherwise, use the standard hardware torque specification chart.

Y:\Images\11\2008\BTPV21675E\BT21dkas



The above parts group applies to the following Mfg. Nos.:
7800268 - BTPV21675E 21" 6.75GT Variable Speed Electric Start M

Deck Assembly

REF NO	PART NO.	DESCRIPTION
1	7101490YP	CHUTE, 21" SIDE DISCHARGE
2	7091020YP	PUSHNUT 1/4
3	7101471YP	ROD, MULCH COVER PIVOT
4	166x38MA	SPRING, TORSION, CHUTE
5	26x217MA	TORX ST, 1/4-20 X 11/16
6	7101437YP	COVER, 21" MULCHING
7	7300590ZMA	BRACKET, CHUTE DEFLECTOR
8	7091286YP	HWST, 10-24X.50 SEMS
9	166x33MA	SPRING, TORSION
10	071410MA	SPACER, REAR DOOR 21"
11	7101314YP	ROD, REAR DOOR PIVOT, 21" RD
12	071409MA	DOOR, 21" BLACK
13	2860694SM	NUT, HEX FLANGE, 1/4-20, ESNA, YZ
14	7300460ZMA	BRACKET, BATTERY, 22" WBM ES
15	7090803YP	BOLT, 1/4-20X5/8
16	7100204YP	SEALED LEAD ACID BATTERY, 12V
17	7015488YP	HARNESS, BATTERY
18	7900011MA	HHCS, 1/4-20 x 4" GR 5
19	7101304YP	GRASSBAG, 21" RD
20	7101303AYP	BAG FRAME - 21" RD WBM
21	7026421YP	GRIP, RECTANGULAR (BLACK)
22	7300723ZMA	TRANSMISSION COVER, REAR 21"
23	7101434YP	SPRING, EXTENSION, HOC ASSIST
24	7101553YP	DEFLECTOR, REAR, 21" WBM, RD
26	7101418YP	BEARING HOLDER, 21" WBM, RD
27	7078243YP	BEARING, BALL, AXLE
28	7091318SM	CAPSCREW, 5/16 X 3/4 GR5 YZ
29	7091601SM	FLANGE NUT, 5/16-18 YZ
30	7091508SM	BOLT, 5/16-18 X 3/4 GR5 YZ
31	7300933ZMA	PLATE, HEIGHT OF CUT, INDEX, 7 POS, RD
32	7300591ZMA	BAFFLE, RIGHT REAR, 21" WBM, RD
33	7300931ZMA	DECK, 21" BRUTE, RD
34	7091290SM	NUT, 10-24 UNC-2B W/NYLON INSERT
35	7300589ZMA	BAFFLE, LEFT REAR, 21"RD,WBM
36	7091711YP	BOLT, 10-24 X 5/8 YZ
37	7101502YP	BAFFLE, EXTENSION, 21" RD WBM
38	7300585ZMA	BAFFLE, FRONT 21" WBM, RD
39	672278MA	LEVER, SPRING HOC
40	671297MA	GRIP, HEIGHT OF CUT
41	7400203ZMA	WELDMENT, REAR CROSSBAR 21" WBM, RD
42	--	HEIGHT OF CUT ASSEMBLY, RF, BRUTE 21, 7 POSITION Shown on Deck Assembly page
43	--	HEIGHT OF CUT ASSEMBLY, LF, BRUTE 21, 7 POSITION Shown on Deck Assembly page

Footnotes

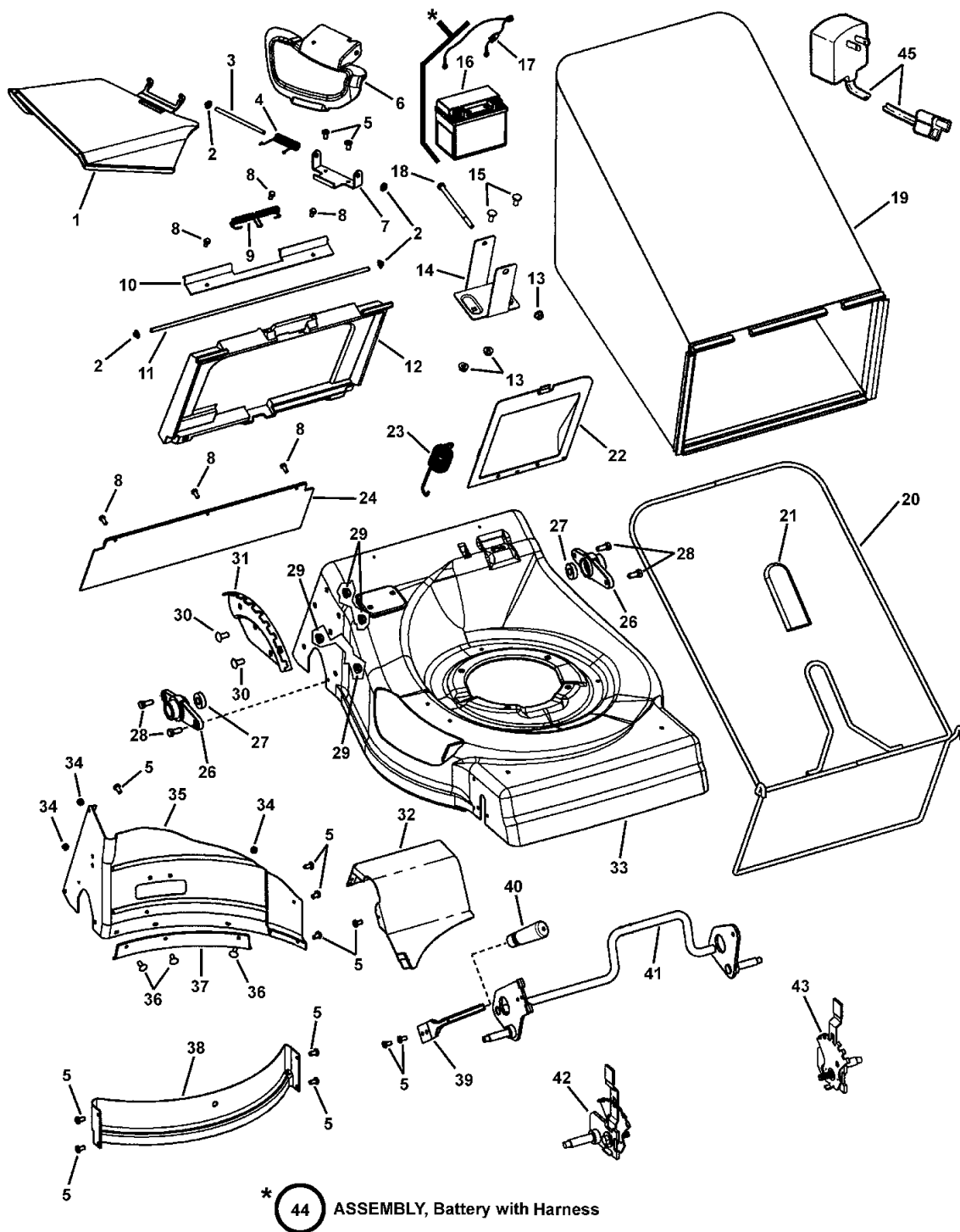
The above parts group applies to the following Mfg. Nos.:

7800268 - BTPV21675E 21" 6.75GT Variable Speed Electric Start M

Deck Assembly

NOTE: Unless noted otherwise, use the standard hardware torque specification chart.

Y:\Images\11\2008\BTPV21675E\BT21dkas



The above parts group applies to the following Mfg. Nos.:
7800268 - BTPV21675E 21" 6.75GT Variable Speed Electric Start M

Deck Assembly

REF NO	PART NO.	DESCRIPTION
44	7101320YP	BATTERY ASSEMBLY, W/HARNESS
45	7018834YP	CHARGER, BATTERY 120V/12V
46	071250MA	PLUG, MULCHING (not shown)

Footnotes

The above parts group applies to the following Mfg. Nos.:

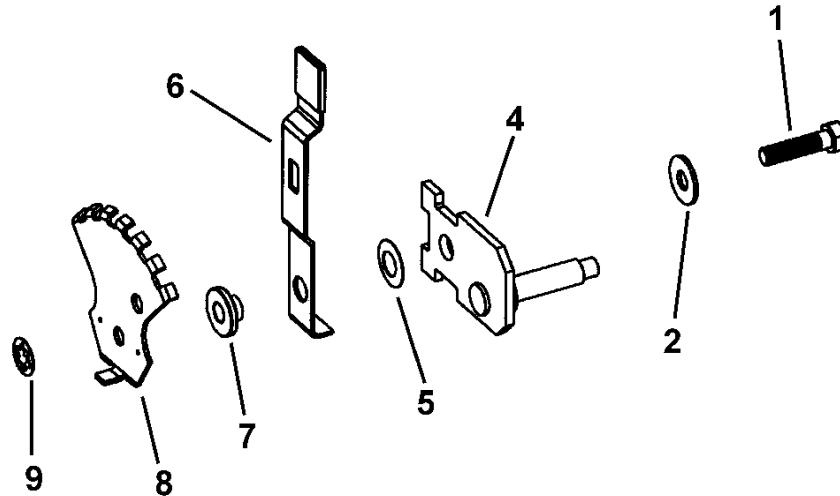
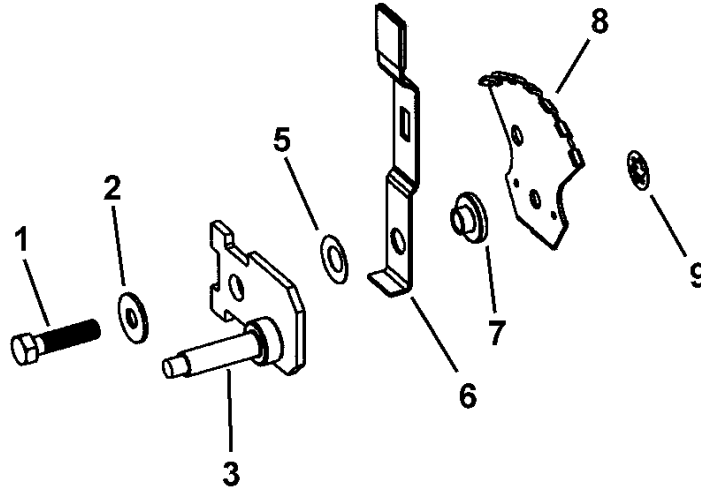
7800268 - BTPV21675E 21" 6.75GT Variable Speed Electric Start M

Front Height-of-Cut Assemblies

NOTE: Unless noted otherwise, use the standard hardware torque specification chart.

Y:\Images\11\2008\BTPV21675E\BT21hoca

Right Front



Left Front

The above parts group applies to the following Mfg. Nos.:

7800268 - BTPV21675E 21" 6.75GT Variable Speed Electric Start M

Front Height-of-Cut Assemblies

REF NO	PART NO.	DESCRIPTION
1	01x108MA	BOLT, HEX HEAD 3/8-16 NC X 1.25
2	17x104MA	WASHER, FLAT, 25/64" ID X 1" OD X 14 GA.
3	7500904MA	AXLE RH PLATE ASSEMBLY
4	7500903MA	AXLE LH PLATE ASSEMBLY
5	0020x3MA	WASHER, CURVED SPRING
6	672509MA	SPRING, HT ADJ
7	043387MA	SPACER, HT ADJ
8	672765ZMA	PLATE, INDEX, 7 POS
9	7013847YP	BOLT RET 3/8

Footnotes

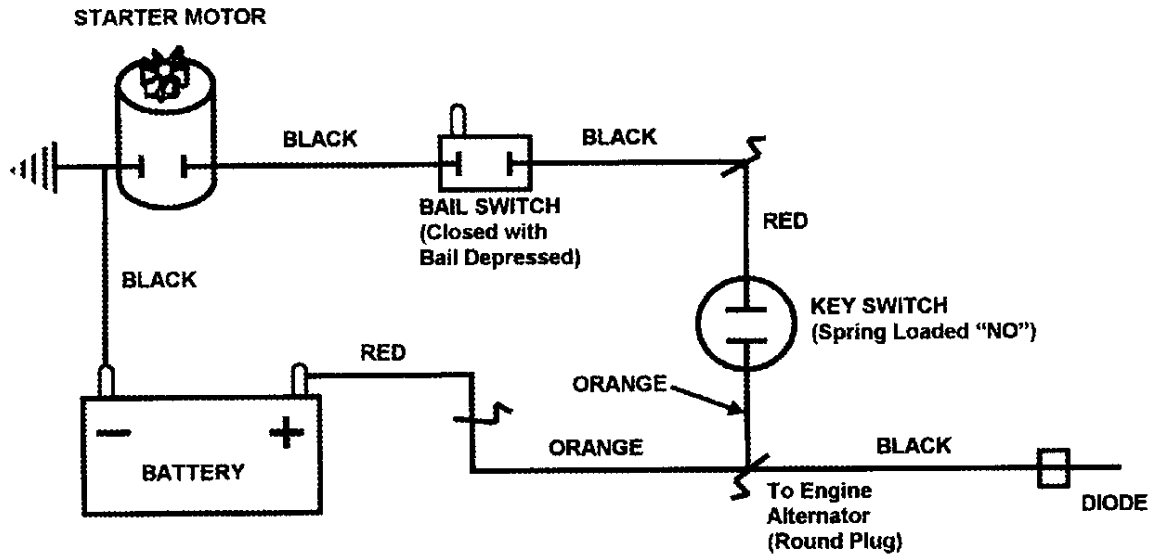
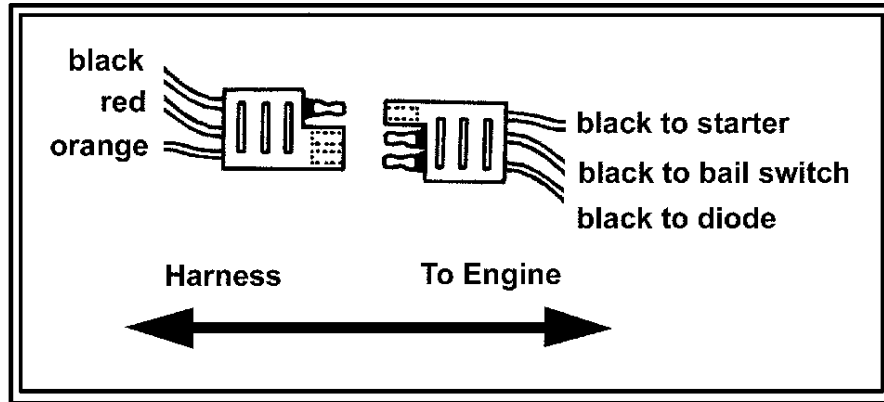
The above parts group applies to the following Mfg. Nos.:

7800268 - BTPV21675E 21" 6.75GT Variable Speed Electric Start M

Wiring Schematic

NOTE: Unless noted otherwise, use the standard hardware torque specification chart.

Y:\Images\11\2008\BTPV21675E\BT21wsch



WIRING SCHEMATIC FOR 6.75 GROSS TORQUE BRIGGS ENGINE

The above parts group applies to the following Mfg. Nos.:
7800268 - BTPV21675E 21" 6.75GT Variable Speed Electric Start M

Wiring Schematic

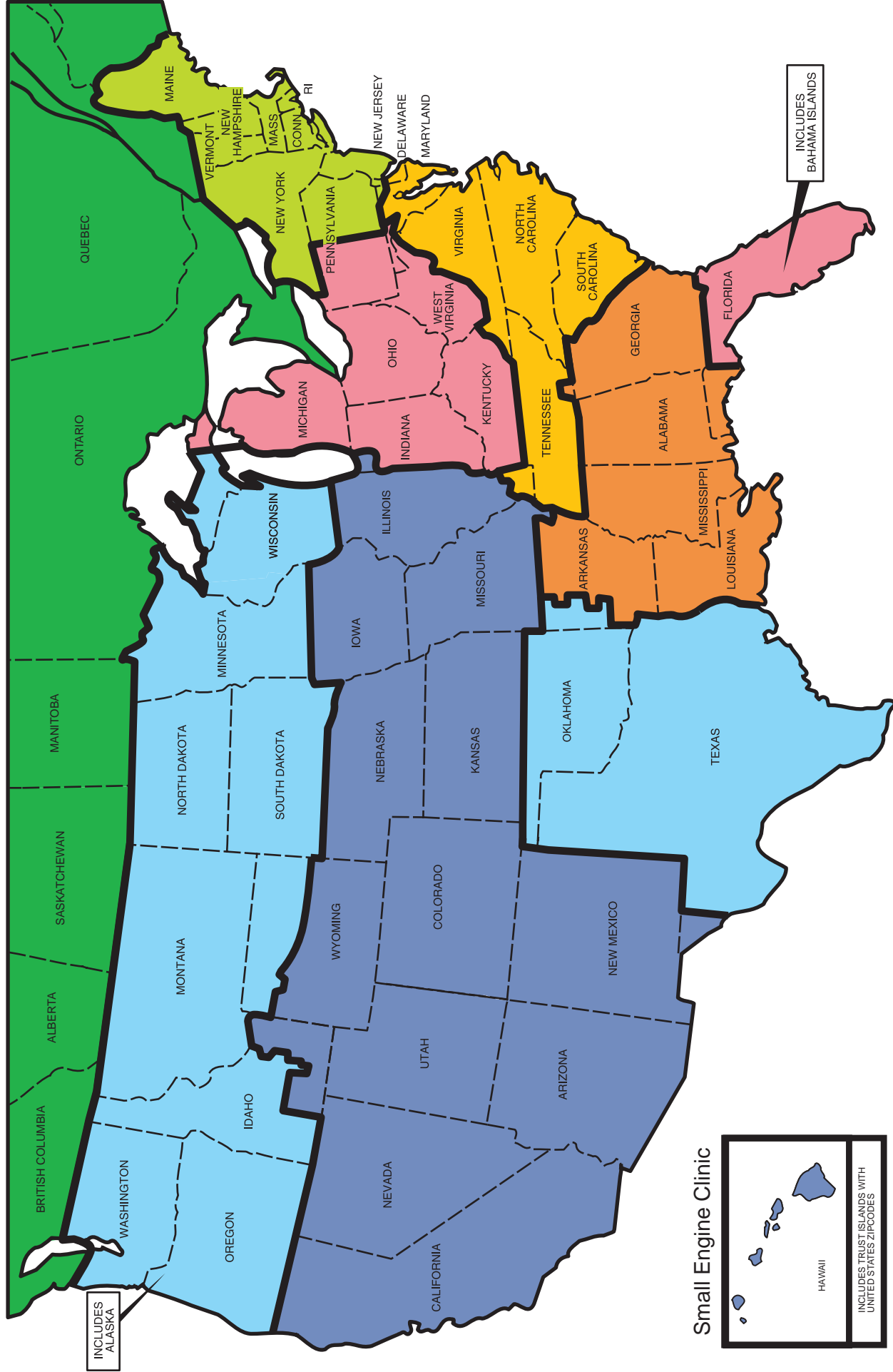
REF NO	PART NO.	DESCRIPTION
1	7101504YP	WIRE HARNESS, SNAPPER, RD 21"

Footnotes

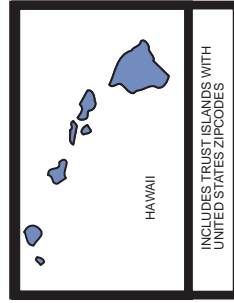
The above parts group applies to the following Mfg. Nos.:

7800268 - BTPV21675E 21" 6.75GT Variable Speed Electric Start M

IDN Network



Small Engine Clinic



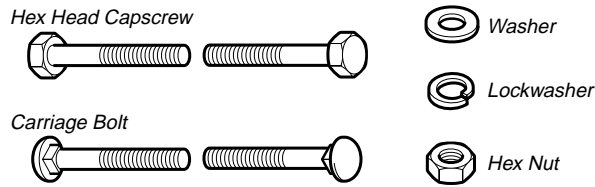
- Magneto Power (800) 733-7388
- MWE (800) 683-8484
- Preferred Power (800) 331-7164
- Power Source Canada (905) 829-0006
- Atlantic Power (800) 456-5692
- Central Power (800) 444-7774
- SEDCO (800) 346-4260

Briggs & Stratton Corporation
INTEGRATED DISTRIBUTOR NETWORK

Midwest Engines	700 Enterprise Rd Aurora, IL 60504	www.mwe.net	(800) 683-8484
Central Power Systems	3700 Paragon Dr Columbus, OH 43228	www.centralpower.com	(800) 444-7774
Atlantic Power	20 Empire Stat Rd Castleton, NY 12033	www.atlanticpowerinc.com	(800) 456-5692
Preferred Power Inc	6509-A Northpark Blvd Charlotte, NC 28216	www.centralpower.com	(800) 331-7164
Central Power Systems	3700 Paragon Dr Columbus, OH 43228	www.centralpower.com	(800) 444-7774
Magneto Power LLC	1000 W. Donges Bay Rd Suite 100 Mequon, WI 53092	www.magnetopower.com	(800) 733-7388
Sedco, Inc	225 Henry D. Robinson Blvd Pendergrass, GA 30567	www.sedcoinc.com	(800) 346-4260
Power Source Canada, LTD	2815 Bristol Circle, Unit 1 Oakville, ON L6H 6X5	www.powersourcecanada.ca	(905) 829-0006

Hardware Identification & Torque Specifications

Common Hardware Types

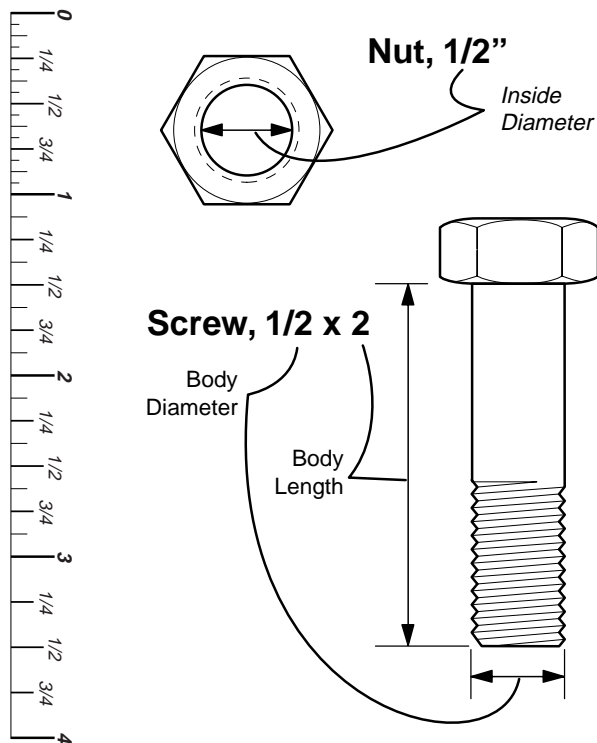


Standard Hardware Sizing

When a washer or nut is identified as 1/2", this is the *Nominal size*, meaning the *inside diameter* is 1/2 inch; if a second number is present it represents the *threads per inch*

When bolt or capscrew is identified as 1/2 - 16 x 2", this means the *Nominal size*, or *body diameter* is 1/2 inch; the second number represents the *threads per inch* (16 in this example, and the final number is the *body length* of the bolt or screw (in this example 2 inches long).

The guides and ruler furnished below are designed to help you select the appropriate hardware and tools.



Torque Specification Chart

FOR STANDARD MACHINE HARDWARE (Tolerance ± 20%)

Hardware Grade	No Marks SAE Grade 2		SAE Grade 5		SAE Grade 8	
	in/lbs ft/lbs	Nm.	in/lbs ft/lbs	Nm.	in/lbs ft/lbs	Nm.
8-32	19	2.1	30	3.4	41	4.6
8-36	20	2.3	31	3.5	43	4.9
10-24	27	3.1	43	4.9	60	6.8
10-32	31	3.5	49	5.5	68	7.7
1/4-20	66	7.6	8	10.9	12	16.3
1/4-28	76	8.6	10	13.6	14	19.0
5/16-18	11	15.0	17	23.1	25	34.0
5/16-24	12	16.3	19	25.8	27	34.0
3/8-16	20	27.2	30	40.8	45	61.2
3/8-24	23	31.3	35	47.6	50	68.0
7/16-14	30	40.8	50	68.0	70	95.2
7/16-20	35	47.6	55	74.8	80	108.8
1/2-13	50	68.0	75	102.0	110	149.6
1/2-20	55	74.8	90	122.4	120	163.2
9/16-12	65	88.4	110	149.6	150	204.0
9/16-18	75	102.0	120	163.2	170	231.2
5/8-11	90	122.4	150	204.0	220	299.2
5/8-18	100	136	180	244.8	240	326.4
3/4-10	160	217.6	260	353.6	386	525.0
3/4-16	180	244.8	300	408.0	420	571.2
7/8-9	140	190.4	400	544.0	600	816.0
7/8-14	155	210.8	440	598.4	660	897.6
1-8	220	299.2	580	788.8	900	1,244.0
1-12	240	326.4	640	870.4	1,000	1,360.0

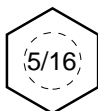
NOTES

- These torque values are to be used for all hardware excluding: locknuts, self-tapping screws, thread forming screws, sheet metal screws and socket head setscrews.
- Recommended seating torque values for locknuts:
 - for prevailing torque locknuts - use 65% of grade 5 torques.
 - for flange whizlock nuts and screws - use 135% of grade 5 torques.
- Unless otherwise noted on assembly drawings, all torque values must meet this specification.

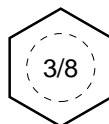
Wrench & Fastener Size Guide



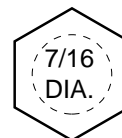
1/4" Bolt or Nut
Wrench—7/16"



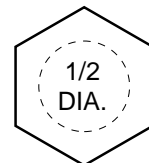
5/16" Bolt or Nut
Wrench—1/2"



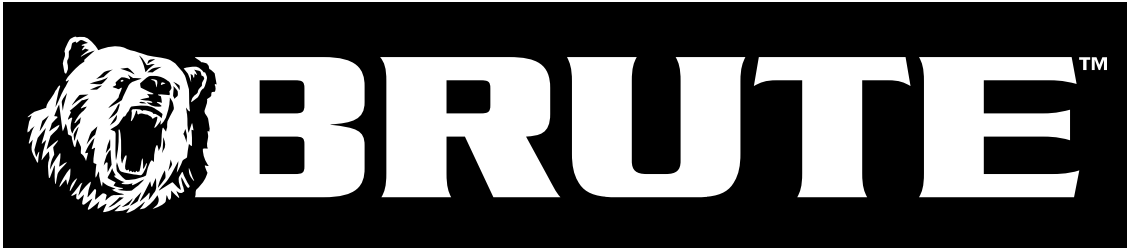
3/8" Bolt or Nut
Wrench—9/16"



7/16" Bolt or Nut
Wrench (Bolt)—5/8"
Wrench (Nut)—11/16"



1/2" Bolt or Nut
Wrench—3/4"



BRUTE™ is a trademark of Briggs Stratton Yard Power Products.

Copyright© 2008 Briggs Stratton Power Products Group. All rights reserved. No part of this page can be reproduced or transmitted in any form by any means without the express written permission of Briggs Stratton Power Products Group.