



BRUTE™

by



Illustrated Parts List



Questions? Help is just a moment away!

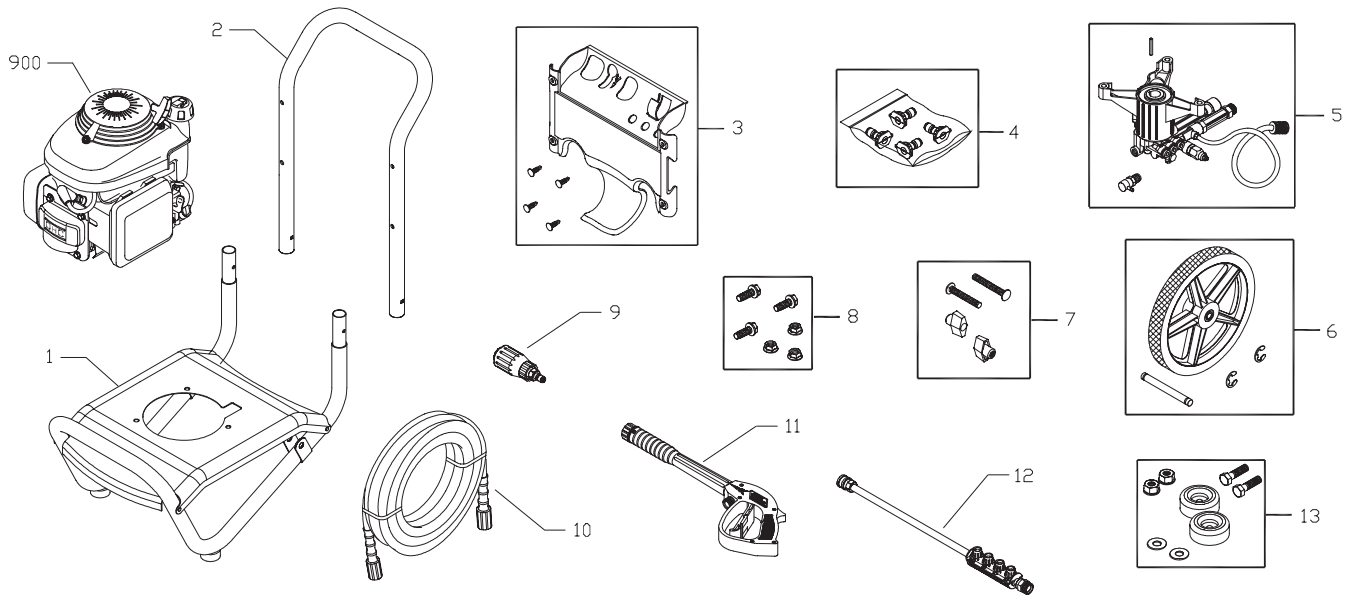
Call: **Pressure Washer Helpline**

1-800-743-4115 M-F 8-5 CT

BRIGGS & STRATTON POWER PRODUCTS GROUP, LLC
JEFFERSON, WISCONSIN, U.S.A.

Model No. 020301-02 (2500 PSI Pressure Washer) Manual No. 203782C Revision - (07/16/2007)

Exploded View and Parts list — Main Unit



Item	Part #	Description
1	199643GS	ASSY, Base
2	B199780GS	HANDLE
3	202273GS	KIT, Billboard w/Decal & Clips
	195964GS	Clips
4	202091GS	KIT, Nozzles
	198841GS	Nozzle, Soap
	195983AEGS	Nozzle, QC, Red
	195983AFGS	Nozzle, QC, Yellow
	195983AHGS	Nozzle, QC, White
5	202274GS	ASSY, Pump
	194298GS	Thermal Relief
	23139GS	Key
6	196439GS	KIT, Wheel
	192050GS	E-Ring
	195454GS	Axle
7	B2203GS	KIT, Fastening Handle
8	203080GS	KIT, Pump/Engine Mounting Hardware
9	195854GS	NOZZLE, Turbo Head

Item	Part #	Description
10	196006GS	HOSE, 25'
11	193482GS	GUN
12	192198GS	EXTENSION, w/Nozzle Holder
13	198766GS	KIT, Vibration Mount
900	§	ENGINE

Items Not Illustrated:

203782GS	MANUAL, Operator's
BB3061BGS	OIL BOTTLE
87815GS	GOGGLES
194524GS	DECAL, Honda Choke
194256GS	KIT, Tag/Warning Srv

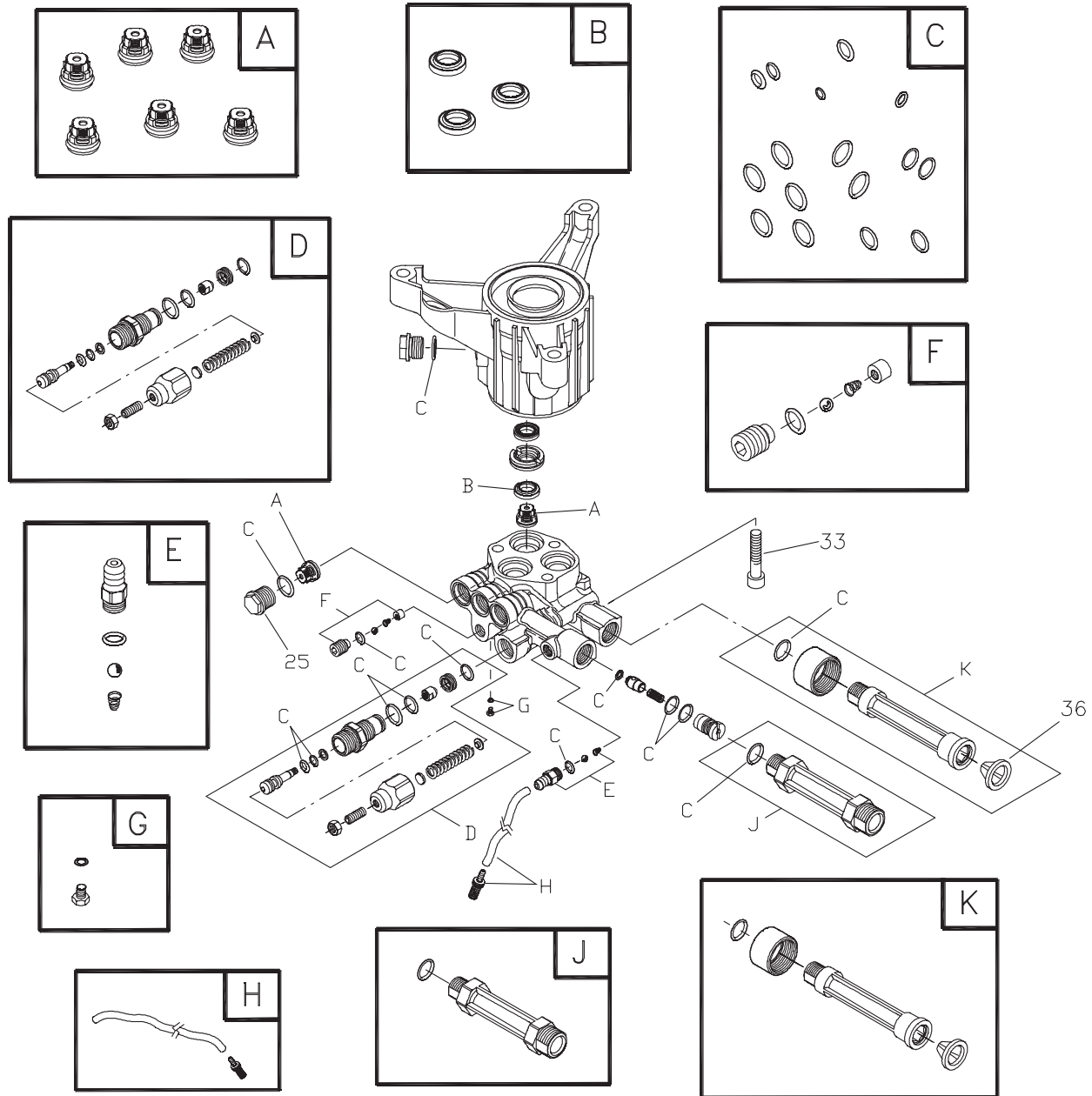
Optional Accessories

6048	KIT, O-Ring
6039	PUMP SAVER

§ - Contact Engine Manufacturer

Copyright © 2007 Briggs & Stratton Power Products Group, LLC. All rights reserved. No part of this material may be reproduced or transmitted in any form by any means without the express written permission of Briggs & Stratton Power Products Group, LLC.

Exploded View and Parts List — Pump



Item	Part #	Description
25	201495GS	PLUG
33	200275GS	SCREW
36	B2384GS	FILTER, Inlet
A	200344GS	KIT, VALVES
B	200345GS	KIT, WATER SEALS
C	200346GS	KIT, O-RINGS
D	200348GS	KIT, UNLOADER
E	192914GS	KIT, HOSE TAIL
F	200349GS	KIT, EZ START
G	200350GS	KIT, GRUB SCREW & WASHER
H	189971GS	KIT, CHEMICAL HOSE

Item	Part #	Description
J	201497GS	KIT, OUTLET
K	201496GS	KIT, WATER INLET

Parts Not Illustrated
 194298GS THERMAL RELIEF

Optional Accessories
 6039 PUMP SAVER
 6033 OIL BOTTLE, Pump

NOTE: Item letters A - K are service kits and include all parts shown within the box.