

# Illustrated Parts List

## Model Series

### 83400 to 83499

TYPE NUMBERS  
0101, 0105, 0106.

**TO FIND**  
**THE CORRECT NUMBER OF THE PART YOU NEED:**  
**FOLLOW THE INSTRUCTIONS BELOW**

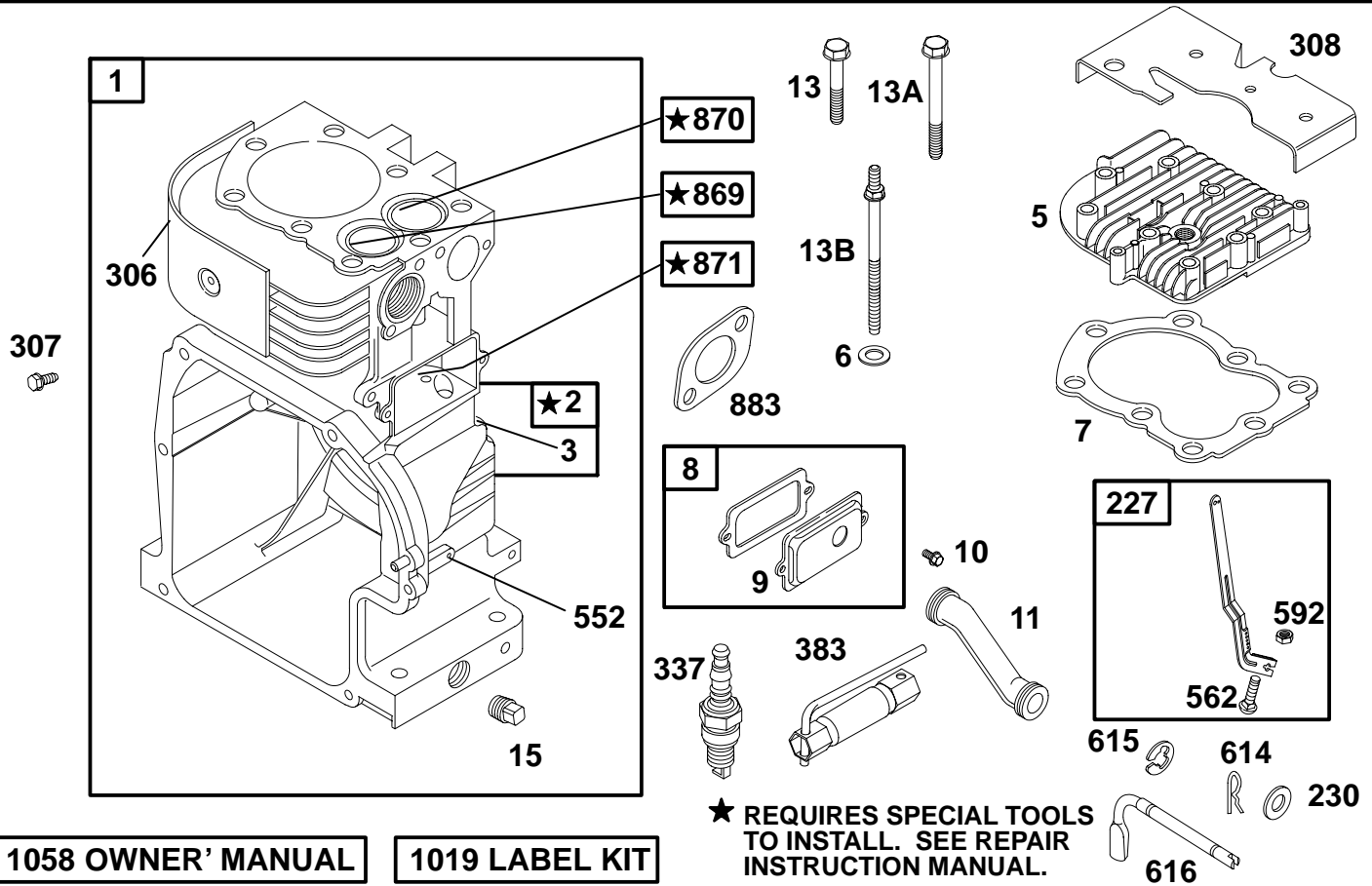
- A. Refer to Engine Model, Type and Code Number that is stamped on the blower housing of engine. Engine type numbers such as 0123 01 are listed only as 0123 in most instances. The two digits (01 or 02, etc.) to the right of the space may be required for more accurate parts identification in some instances. Select the Illustrated Parts List covering the correct Model Series and Type Number.
- B. Refer to the Illustrations and compare the original part with Illustration. The number next to the illustration is the Reference Number. Assemblies include all parts shown in frames. All parts shown in assembly frames having individual reference numbers can be purchased separately.
- C. After the Reference Number has been identified, refer to the Numerical text, where Reference and Primary Part Number are listed. **THE PRIMARY PART IS USED ON ALL TYPE NUMBERS EXCEPT THOSE TYPE NUMBERS UNDER "NOTE."**
- D. If a "Note" appears below the Primary Part Number, it means that this part differs from the Primary Part for certain types. If your Type number is listed under "Note," order the part referred to at the "Note."
- E. If your Engine Type Number does not appear after any part number listed under "Note," use the Primary Part Number.
- F. For Engine Type Numbers not covered by this book, check other Parts Lists having the same engine model or contact your source of supply.

PRINTED IN U.S.A.



COPYRIGHT by BRIGGS & STRATTON CORPORATION  
All rights reserved. No part of this material may be reproduced or transmitted, in any form or by any means, electronic or mechanical, including photocopying, recording or by any information storage and retrieval system, without permission in writing from Briggs & Stratton Corporation.

# 83400 to 83499

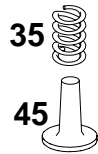
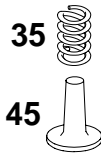
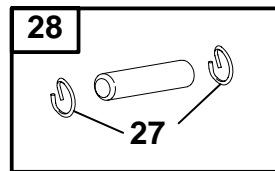
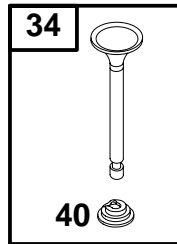
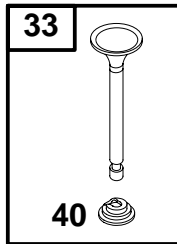
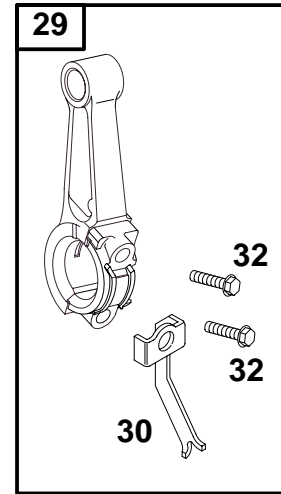
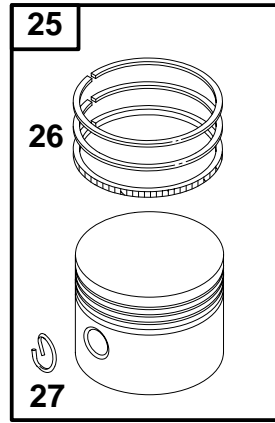
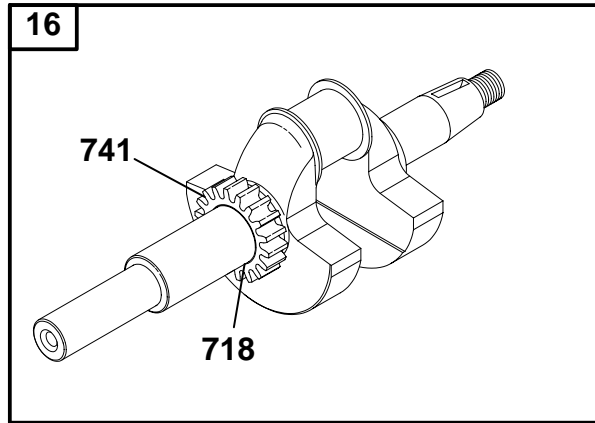


**1058 OWNER' MANUAL**

**1019 LABEL KIT**

REF. NO.	PART NO.	DESCRIPTION	REF. NO.	PART NO.	DESCRIPTION	REF. NO.	PART NO.	DESCRIPTION		
1	395879	Cylinder Assembly	13B	94733	Stud-Hex. Drive	562	94907	Bolt-Governor Lever		
2	293708	Bushing	15	94387	Plug-Oil Drain	592	231978	Nut-Hex.		
3	★299819	Seal-Oil	227	493402	Lever-Governor	614	93306	Pin-Cotter		
5	213953	Head-Cylinder	230	222450	Washer-Gov. Lever	615	93307	Retainer-Lock		
6	22963	Washer	306	224377	Shield-Cylinder	616	231077	Crank-Governor		
7	★272167	Gasket-Cylinder Head	307	94515	Screw-Hex.	869	211172	Seat-Valve (Intake)		
8	495774	Breather Assy.	308	223390	Cover-Cylinder Head	870	211291	Seat-Valve (Exhaust)		
9	★27549	Gasket-Breather	337	298809	Plug-Spark (1-1/2" High, 38 mm)	871	231348	Bushing-Guide		
10	94621	Screw-Hex.			<b>Note</b>	883	★272252	Gasket-Exhaust		
11	281010	Tube-Breather			492167	Plug-Spark (1-7/8" High, 48 mm)	1019	491675	Label Kit	
13	93111	Screw-Hex. (2" Long)			383	89838	Wrench-Spark Plug	1058	272317	Owner's Manual
13A	94547	Screw-Hex. (2-5/16" Long)	552	231079	Bushing-Governor Crank					

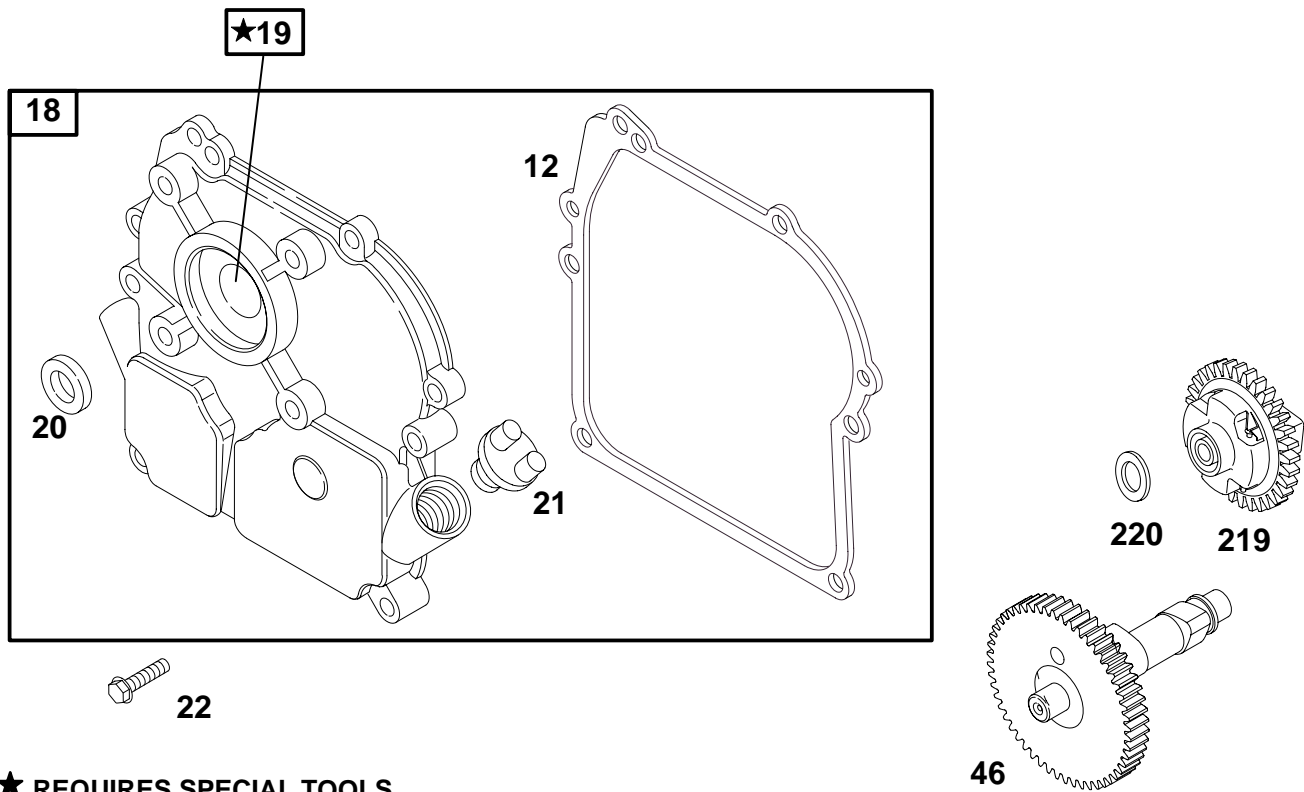
- ★ Included in Gasket Set-Part No. 397144.
- Included in Carburetor Kit-Part No. 493762.
- ◆ Included in Carburetor Gasket Set-Part No. 490937.



REF. NO.	PART NO.	DESCRIPTION	REF. NO.	PART NO.	DESCRIPTION	REF. NO.	PART NO.	DESCRIPTION
16	399006	Crankshaft	27	26026	Lock-Piston Pin	33	296676	Valve-Exhaust
25	295587	Piston Assembly (Standard)	28	298909	Pin-Piston	34	296677	Valve-Intake
	295588	Piston Assy. (.010" O.S.)	29	294367	Rod-Connecting (Standard)	35	260552	Spring-Valve
	295589	Piston Assy. (.020" O.S.)		296079	Rod-Conn. (.020 Undersize)	40	93312	Retainer-Valve
	295590	Piston Assy. (.030" O.S.)	30	220670	Dipper-Conn. Rod	45	230173	Tappet-Valve
26	294232	Ring Set (Standard)	32	94699	Screw-Conn. Rod	718	499047	Key-Timing
	297201	Ring Set (Standard Chrome)				741	261533	Gear-Timing
	294224	Ring Set (.010" O.S.)						
	294225	Ring Set (.020" O.S.)						
	294226	Ring Set (.030" O.S.) (Standard)						
	298908	Pin-Piston (.005" O.S.)						

- ★ Included in Gasket Set-Part No. 397144.
- Included in Carburetor Kit-Part No. 493762.
- ◆ Included in Carburetor Gasket Set-Part No. 490937.

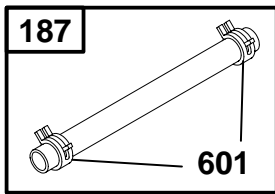
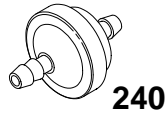
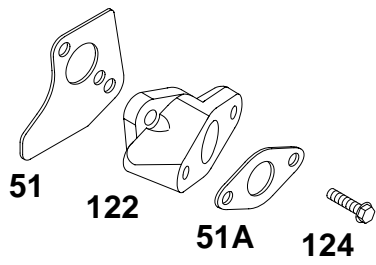
# 83400 to 83499



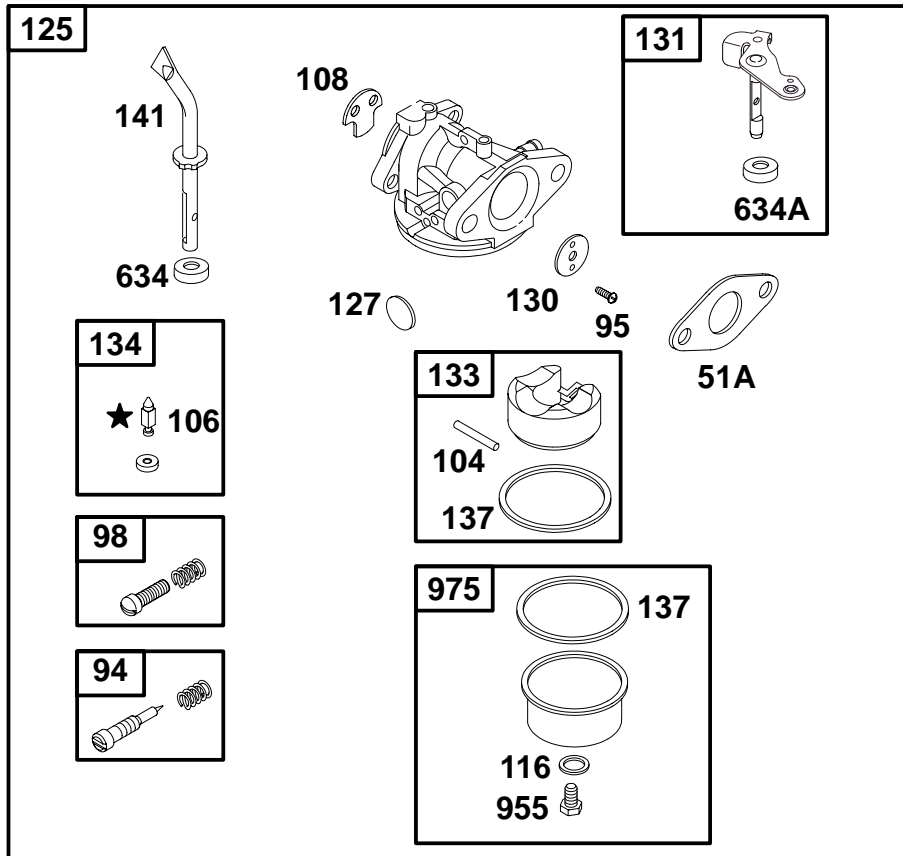
★ **REQUIRES SPECIAL TOOLS TO INSTALL. SEE REPAIR INSTRUCTION MANUAL.**

REF. NO.	PART NO.	DESCRIPTION	REF. NO.	PART NO.	DESCRIPTION	REF. NO.	PART NO.	DESCRIPTION
12	★270833	Gasket-Crankcase (.015" Thick, Std.)	19	220538	Bushing	46	493747	Gear-Cam
	★270895	Gasket-Crankcase (.005" Thick)	20	★392986	Seal-Oil	219	494845	Gear-Governor
	★270896	Gasket-Crankcase (.009" Thick)	21	66768	Plug-Oil Fill			<b>Note</b>
18	496680	Cover-Crankcase Used on Model Series 83412.	22	94682	Screw-Hex.			391737 Gear-Gov. (Used Before Code Date 91061000).
					<b>Note</b>	220	221551	Washer-Thrust
					92747 Screw-Hex. Used on Two Top Holes to Mount Cover Used on Model Series 83412.			

- ★ Included in Gasket Set-Part No. 397144.
- Included in Carburetor Kit-Part No. 493762.
- ◆ Included in Carburetor Gasket Set-Part No. 490937.



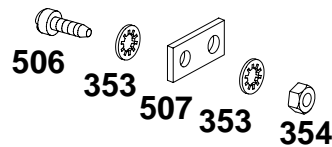
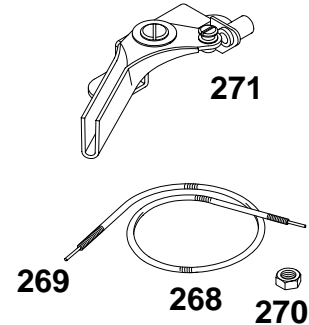
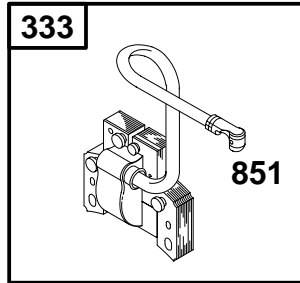
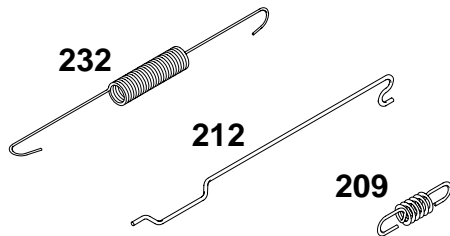
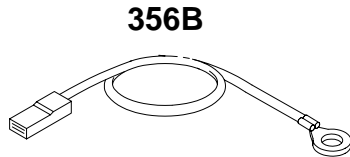
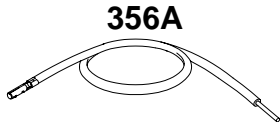
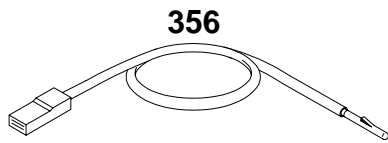
★ REQUIRES SPECIAL TOOLS TO INSTALL. SEE REPAIR INSTRUCTION MANUAL.



REF. NO.	PART NO.	DESCRIPTION	REF. NO.	PART NO.	DESCRIPTION	REF. NO.	PART NO.	DESCRIPTION
51	★272585	Gasket-Intake	124	93357	Screw-Carburetor Mounting	141	231741	Shaft-Choke
51A	★272295	Gasket-Intake	125	494466	Carburetor	187	296004	Line-Fuel (Cut to Required Length)
94	●493765	Valve-Idle Adjust	127	●	Plug-Welch (Sold in Kit Only)	240	298090	Filter-Fuel
95	94098	Screw-Rd. Hd.	130	223470	Valve-Throttle	601	93053	Clamp-Hose
98	398185	Screw-Idle Adjustment	131	493556	Shaft-Throttle	634	●◆	Seal-Choke
104	●231371	Pin-Float Hinge	133	398187	Float-Carburetor	634A	●◆	Washer-Throttle Shaft
106	●	Seat-Inlet (Sold in Kit and Ref. 134 only)	134	●398188	Valve-Needle (Includes Seat)	955	231373	Screw-Bowl Mounting
108	223471	Valve-Choke	137	●◆	Gasket-Float Bowl (Sold in Kit Only)	975	398191	Bowl-Float
116	●◆	Gasket-Sealing (Sold in Kit Only)						
122	213736	Spacer						

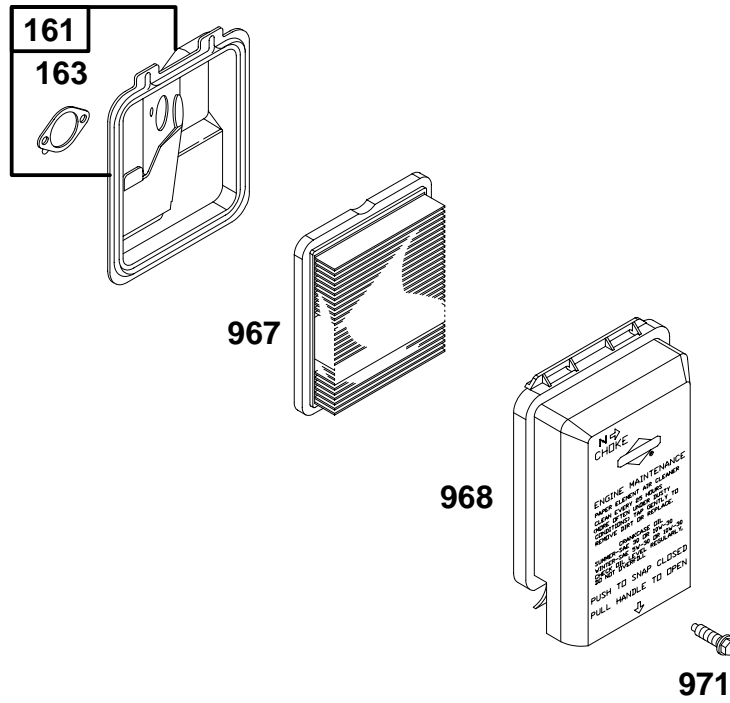
★ Included in Gasket Set-Part No. 397144.  
 ● Included in Carburetor Kit-Part No. 493762.  
 ◆ Included in Carburetor Gasket Set-Part No. 490937.

# 83400 to 83499



REF. NO.	PART NO.	DESCRIPTION	REF. NO.	PART NO.	DESCRIPTION	REF. NO.	PART NO.	DESCRIPTION
209	262575	Spring-Governor	269	26099	Wire-Control (54" Long) (Cut to Required Length)	356B	398808	Wire-Stop
		<b>Note</b>				506	90200	Screw-Fill. Hd.
	262576	Spring-Governor	270	63426	Locknut-Casing	507	66895	Insulator
		Used on Type No(s). 0105, 0106.	271	290568	Lever-Control	506	90200	Screw-Fill. Hd.
212	262695	Link-Governor	333	496914	Armature-Magneto	507	66895	Insulator
232	262696	Spring-Link	334	94731	Screw-Hex.	851	493880	Terminal-Cable
268	66986	Casing-Wire (48" Long) (Cut to Required Length)	353	92791	Washer-Lock			
			354	90576	Nut-Hex.			
			356	493400	Wire-Stop			
			356A	493401	Wire-Stop			

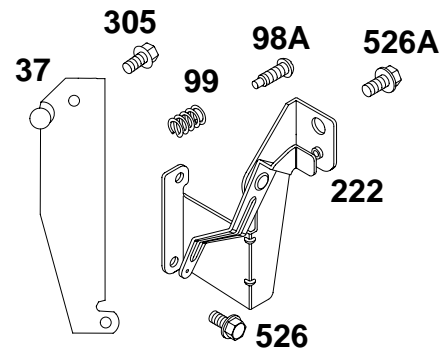
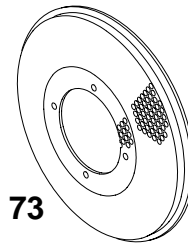
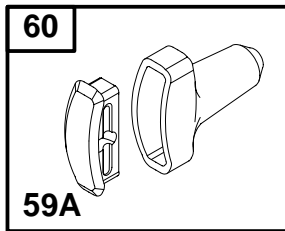
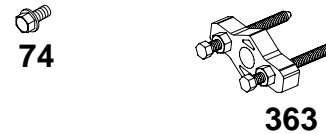
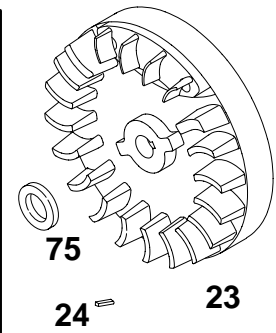
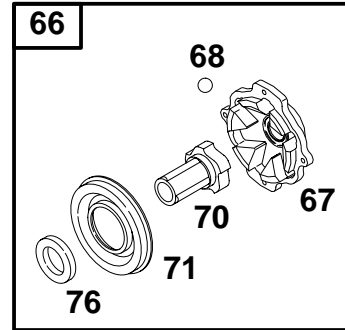
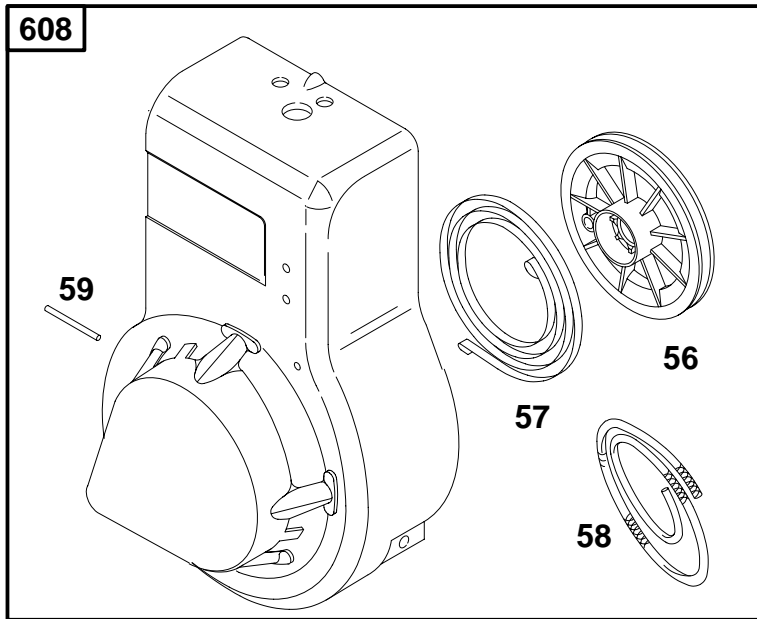
- ★ Included in Gasket Set-Part No. 397144.
- Included in Carburetor Kit-Part No. 493762.
- ◆ Included in Carburetor Gasket Set-Part No. 490937.



REF. NO.	PART NO.	DESCRIPTION	REF. NO.	PART NO.	DESCRIPTION	REF. NO.	PART NO.	DESCRIPTION
161	493394	Base—Air Cleaner	967	491588	Filter—Air	971	94121	Screw—Air Cleaner
163	★272296	Gasket—Air Cleaner	968	281009	Cover—Air Cleaner			

- ★ Included in Gasket Set—Part No. 397144.
- Included in Carburetor Kit—Part No. 493762.
- ◆ Included in Carburetor Gasket Set—Part No. 490937.

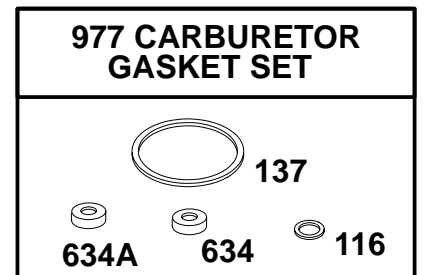
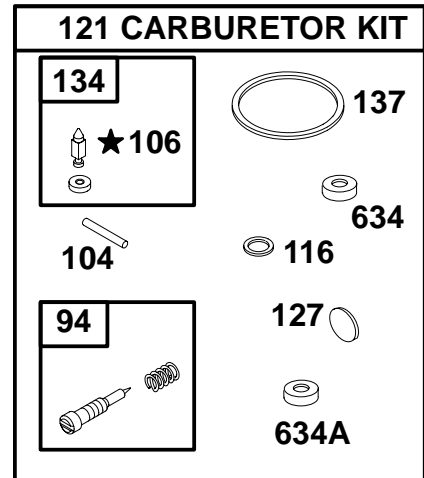
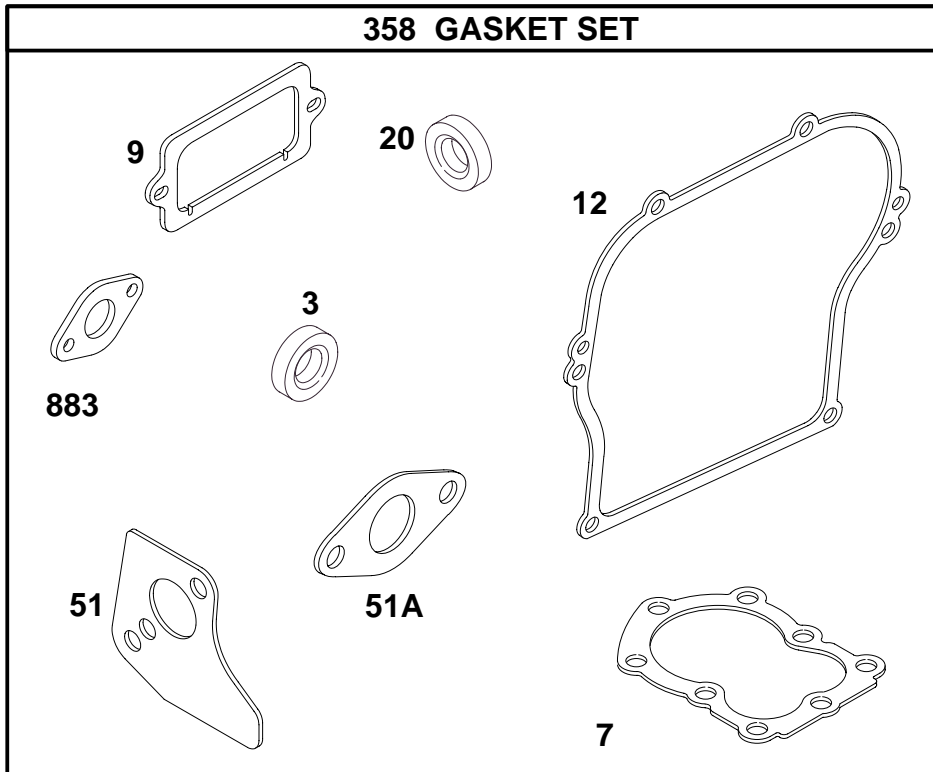
# 83400 to 83499



REF. NO.	PART NO.	DESCRIPTION	REF. NO.	PART NO.	DESCRIPTION	REF. NO.	PART NO.	DESCRIPTION
23	296884	Flywheel	60	393152	Grip—Starter Rope	222	493397	Bracket—Control
24	222698	Key—Flywheel	59	230228	Pin—Starter Grip	305	94786	Screw—Hex.
37	220971	Guard—Flywheel	66	399671	Clutch—Starter	363	19069	Flywheel Puller
56	280439	Pulley—Starter	67	394897	Housing—Clutch	526	93062	Screw—Hex.
57	490179	Spring—Rewind Starter	68	63770	Ball—Clutch	526A	94523	Screw—Hex.
58	66734	Rope—Starter (48-5/8" Long)	70	298799	Ratchet—Clutch	608	493414	Starter—Rewind (12 o'clock)
		<b>Note</b>	71	394506	Washer—Retainer			<b>Note</b>
		280399 Rope—Starter (Cut to Required Length)	73	221661	Screen—Rotating			398034 Starter— Rewind Used on Type No(s). 0106.
59	396892	Insert—Grip	74	93490	Screw—Hex.			
59A	230228	Pin—Starter Grip	75	223047	Washer—Spring			
			76	68238	Washer			
			98A	94094	Screw—Phillips			
			99	26157	Spring—Idle Valve			

- ★ Included in Gasket Set—Part No. 397144.
- Included in Carburetor Kit—Part No. 493762.
- ◆ Included in Carburetor Gasket Set—Part No. 490937.





★ **REQUIRES SPECIAL TOOLS TO INSTALL. SEE REPAIR INSTRUCTION MANUAL.**

REF. NO.	PART NO.	DESCRIPTION	REF. NO.	PART NO.	DESCRIPTION	REF. NO.	PART NO.	DESCRIPTION
3	★299819	Seal-Oil	51	★272585	Gasket-Intake	134	●398188	Valve-Needle (Includes Seat)
7	★272167	Gasket-Cylinder Head	51A	★272295	Gasket-Intake	137	◆◆	Gasket-Float Bowl (Sold in Kit Only)
9	★27549	Gasket-Breather	94	●493765	Valve-Needle	358	397144	Gasket Set
12	★270833	Gasket-Crankcase (.015" Thick, Std.)	104	●231371	Pin-Float Hinge	634	◆◆	Washer-Throttle Shaft
	★270895	Gasket-Crankcase (.005" Thick)	106	●	Seat-Inlet (Sold in Kit and Ref. 134 only)	634A	◆◆	Seal-Choke
	★270896	Gasket-Crankcase (.009" Thick)	116	◆◆	Gasket-Sealing (Sold in Kit Only)	883	★272252	Gasket-Exhaust
20	★392986	Seal-Oil	121	493762	Carburetor Kit	977	490937	Gasket Set-Carburetor
			127	●	Plug-Welch (Sold in Kit Only)			

★ Included in Gasket Set-Part No. 397144.  
 ● Included in Carburetor Kit-Part No. 493762.  
 ◆ Included in Carburetor Gasket Set-Part No. 490937.