

Illustrated Parts List

Model Series

93400

TYPE NUMBERS
0010 through 1278.

TABLE OF CONTENTS

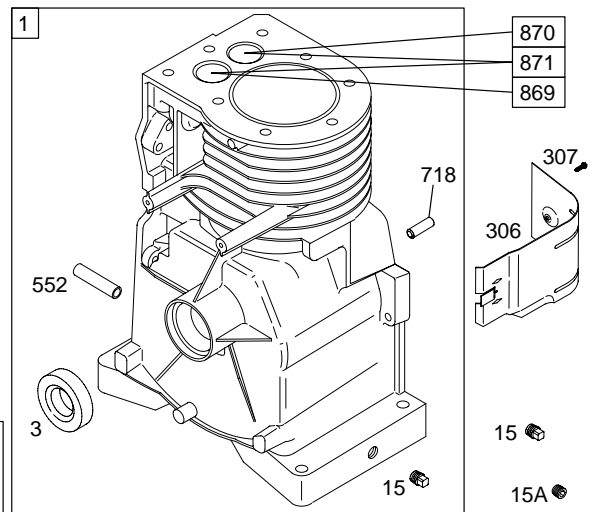
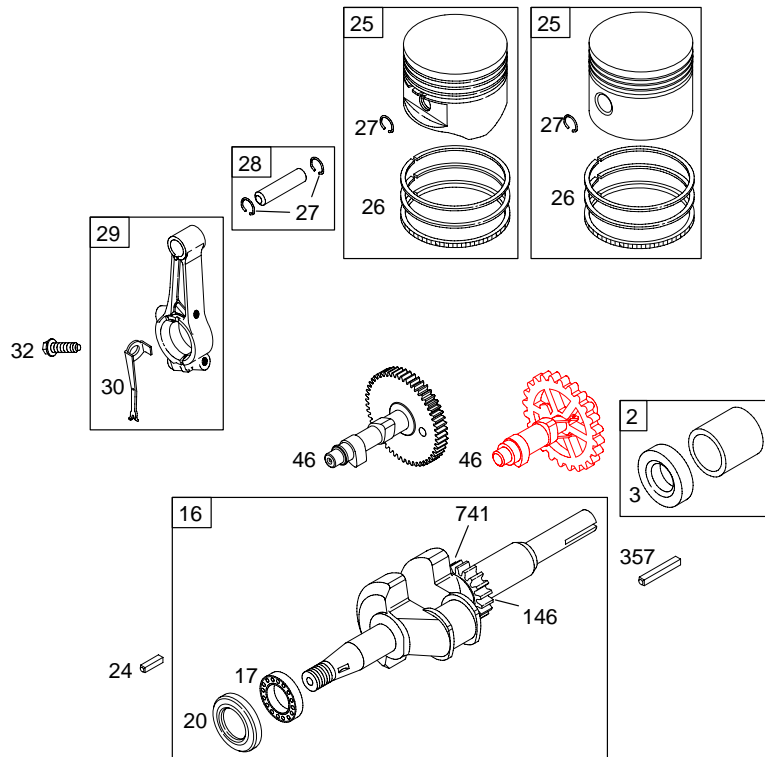
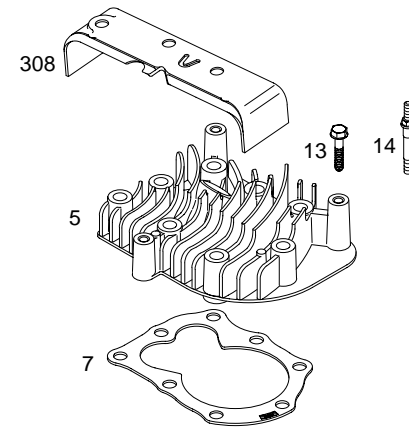
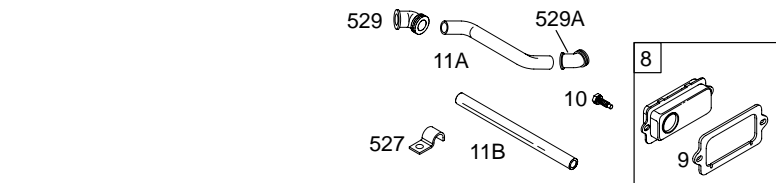
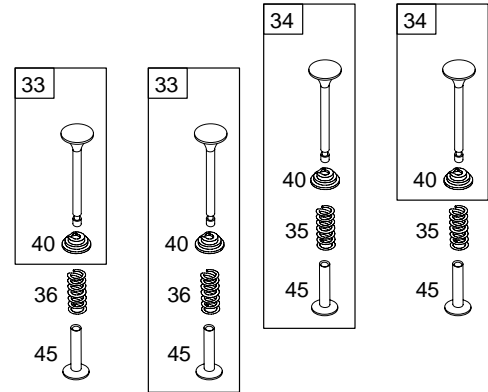
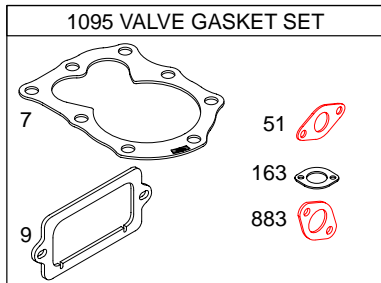
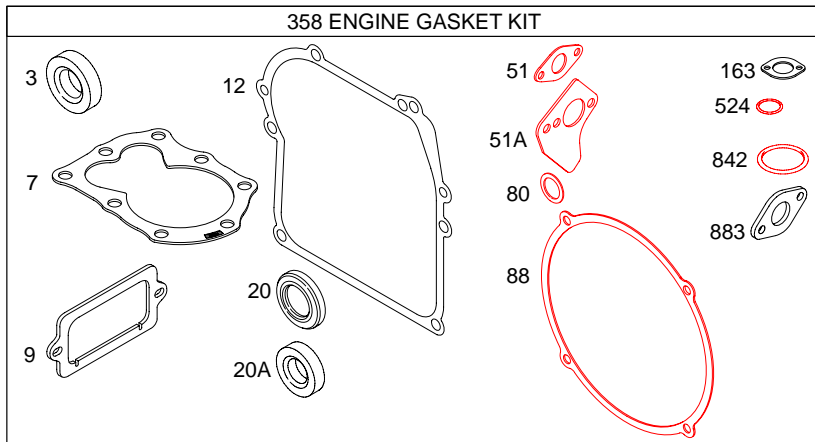
Air Cleaner	6
Blower Housing	7
Blower Housing/Rewind #1	8
Blower Housing/Rewind #2	9
Cams	2
Carburetor	4
Controls	5
Crankcase Cover/Sump	3
Crankshaft	2
Cylinder	2
Flywheel	7
Fuel Tank	4
Gear Reducer	9
Governor Spring	5
Head	2
Ignition	5
Kits/Gaskets-Carburetor	4
Kits/Gaskets-Valve/Engine	2
Muffler	6
Oil	3
Piston Group	2
Rewind	7
Valves	2

PRINTED IN U.S.A.



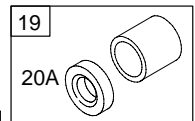
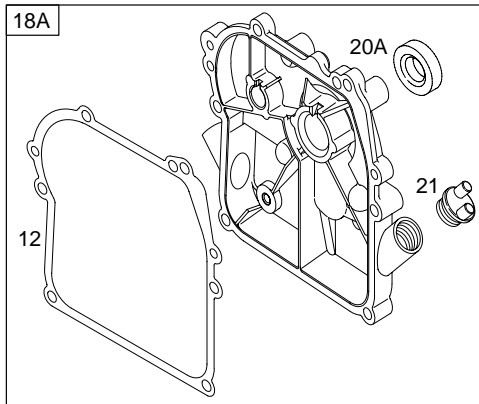
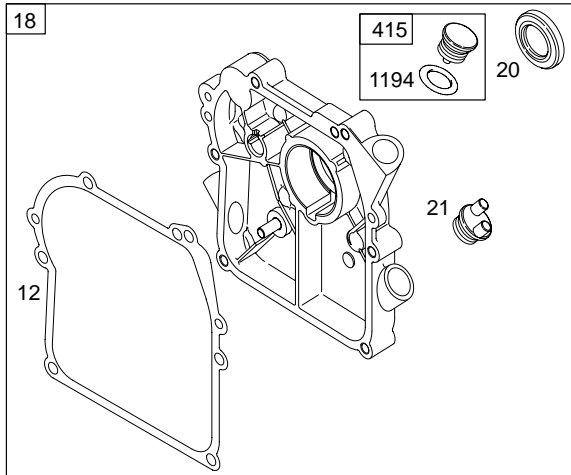
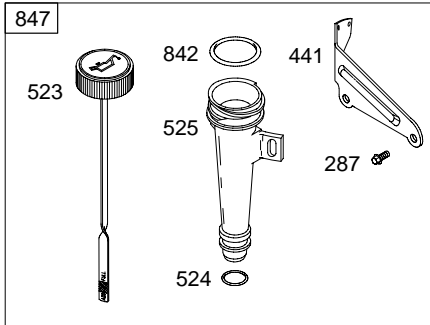
COPYRIGHT by BRIGGS & STRATTON CORPORATION
All rights reserved. No part of this material may be reproduced or transmitted, in any form or by any means, electronic or mechanical, including photocopying, recording or by any information storage and retrieval system, without permission in writing from Briggs & Stratton Corporation.

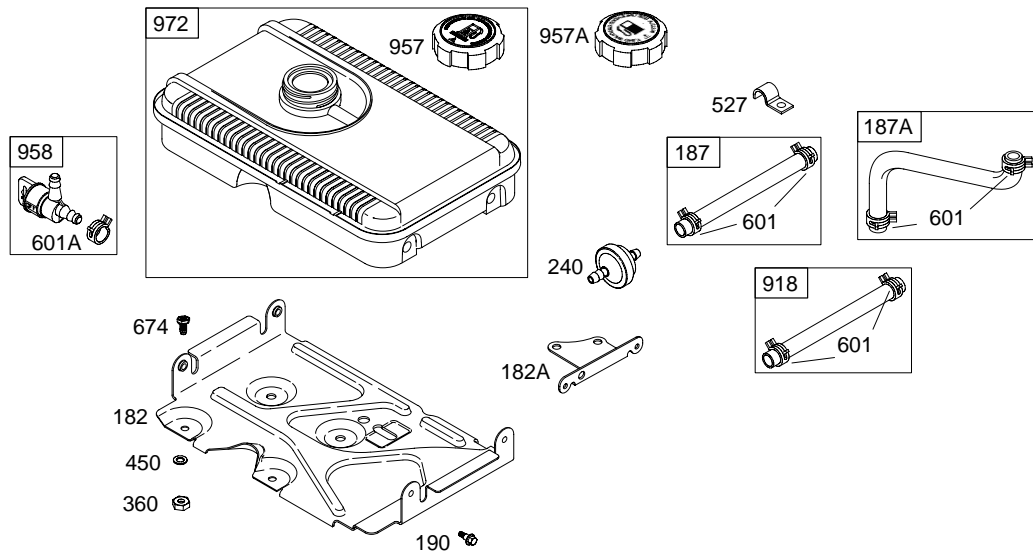
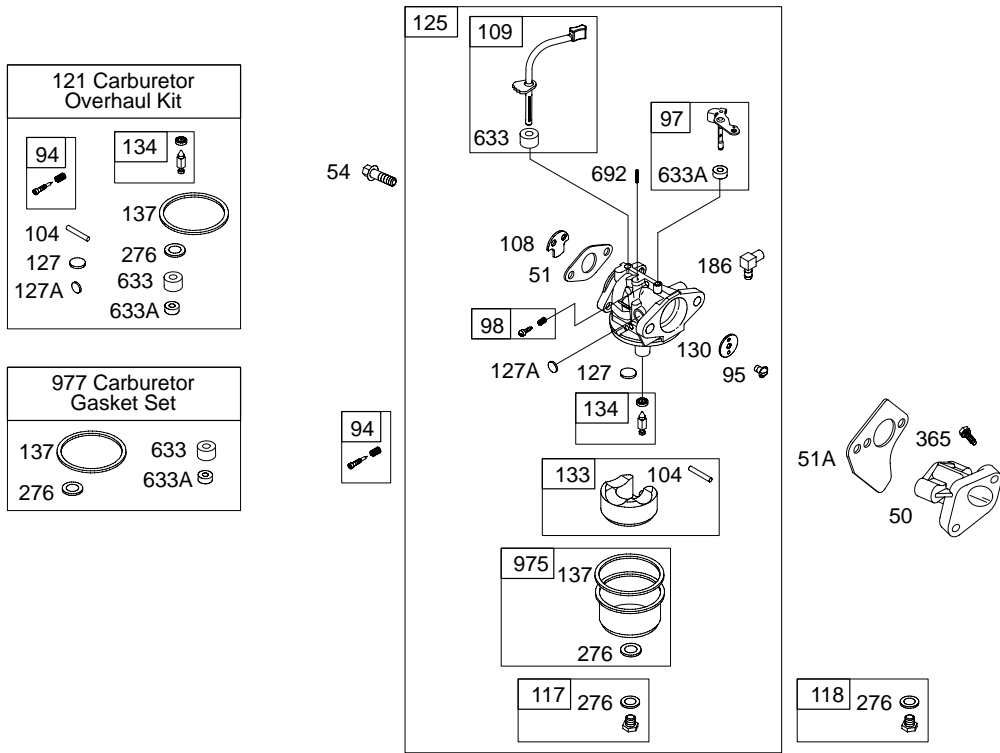
93400



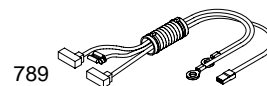
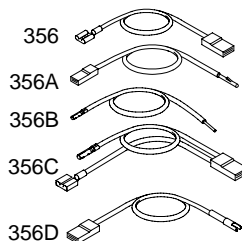
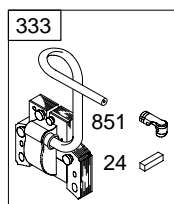
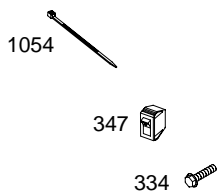
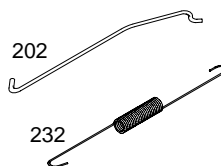
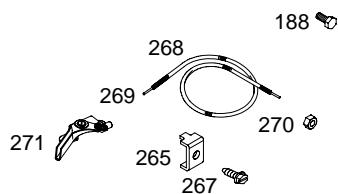
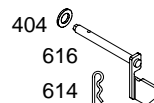
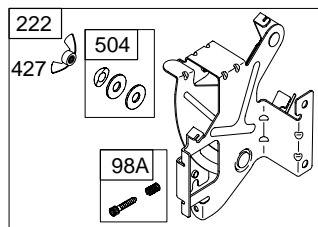
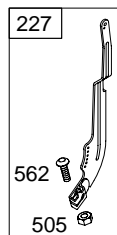
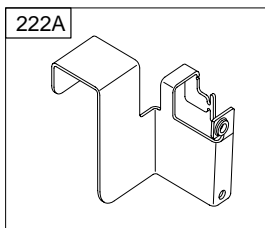
1019 LABEL KIT
1058 OWNER'S MANUAL

Illustrations cover a range of engines. Parts shown without corresponding text may not be used on your specific engine.
0323-2 Assemblies include all parts shown in frames. 6/27/2003

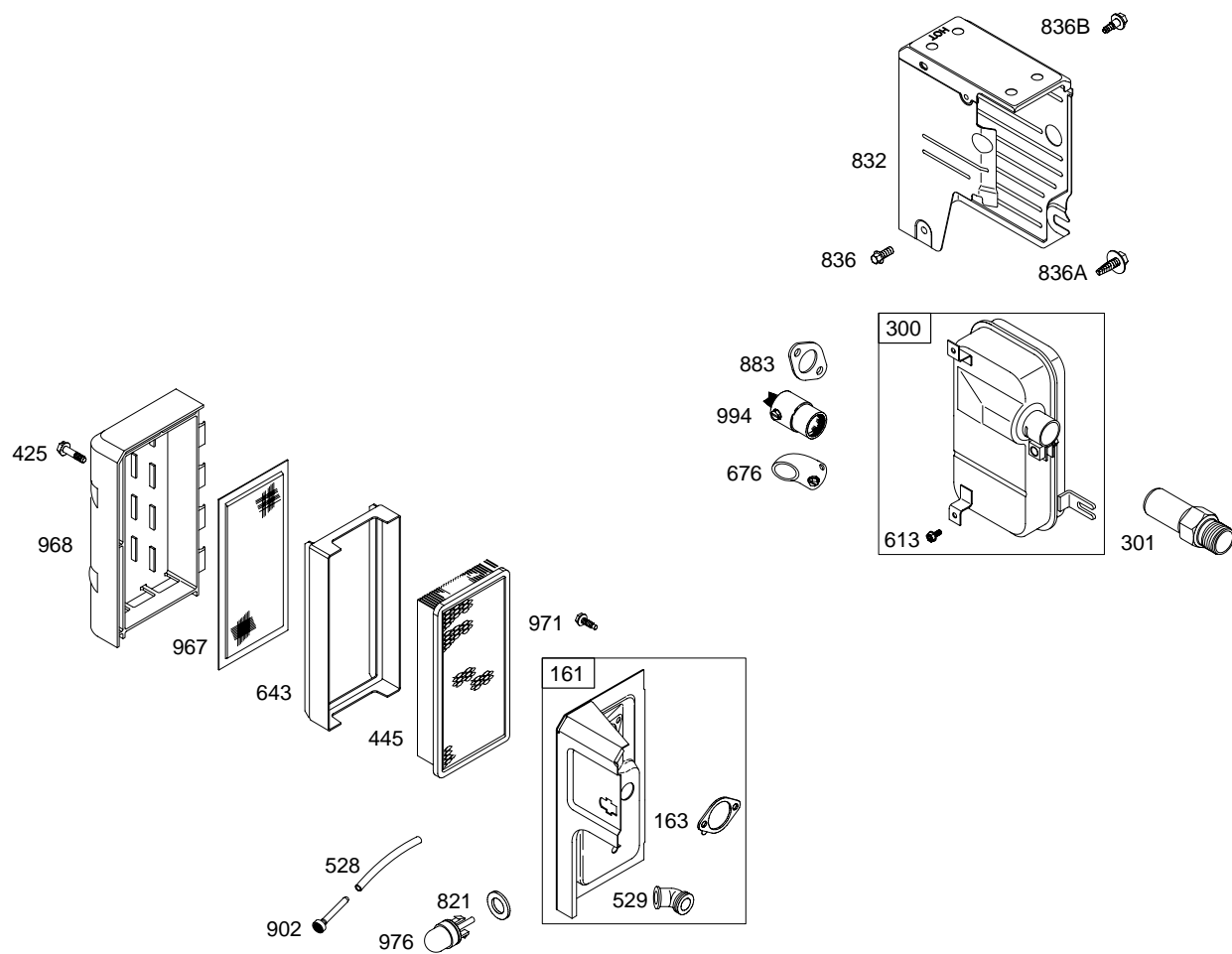




Illustrations cover a range of engines. Parts shown without corresponding text may not be used on your specific engine.

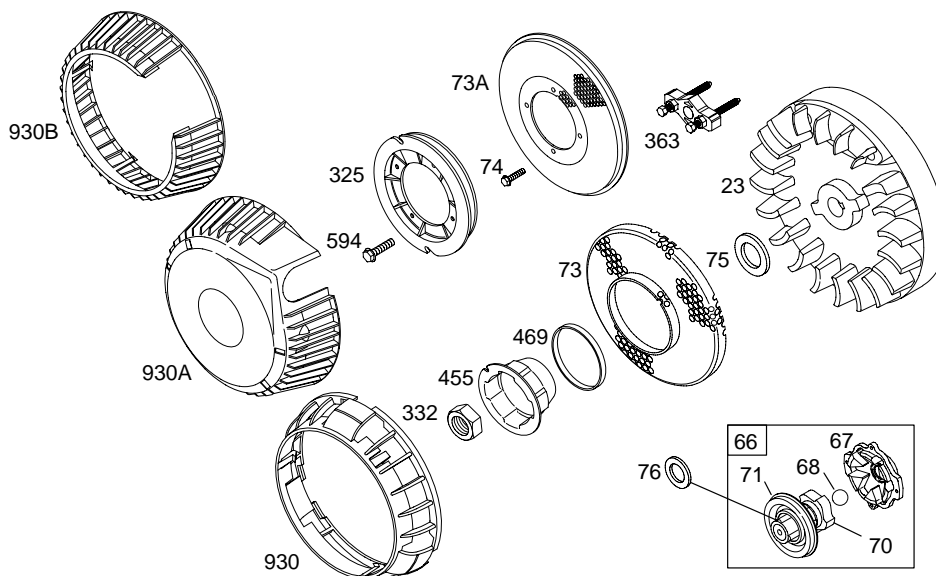
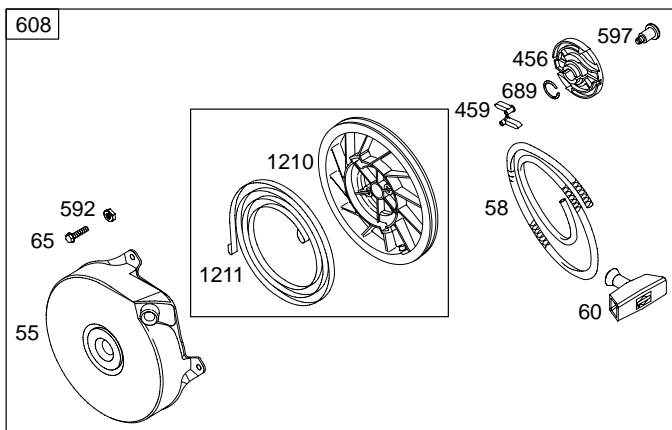
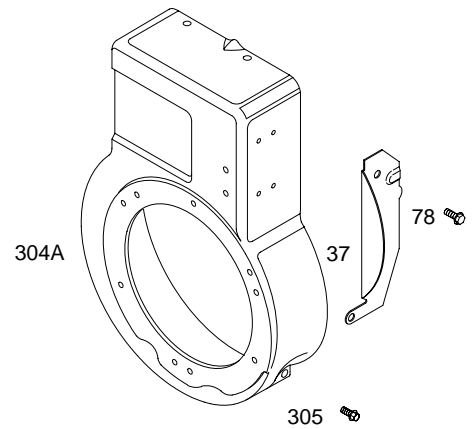
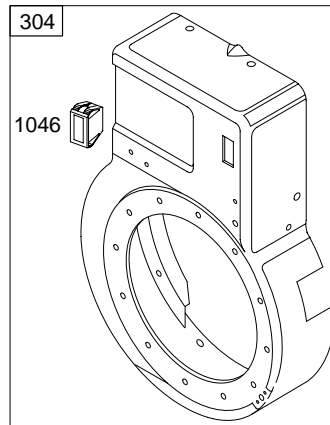


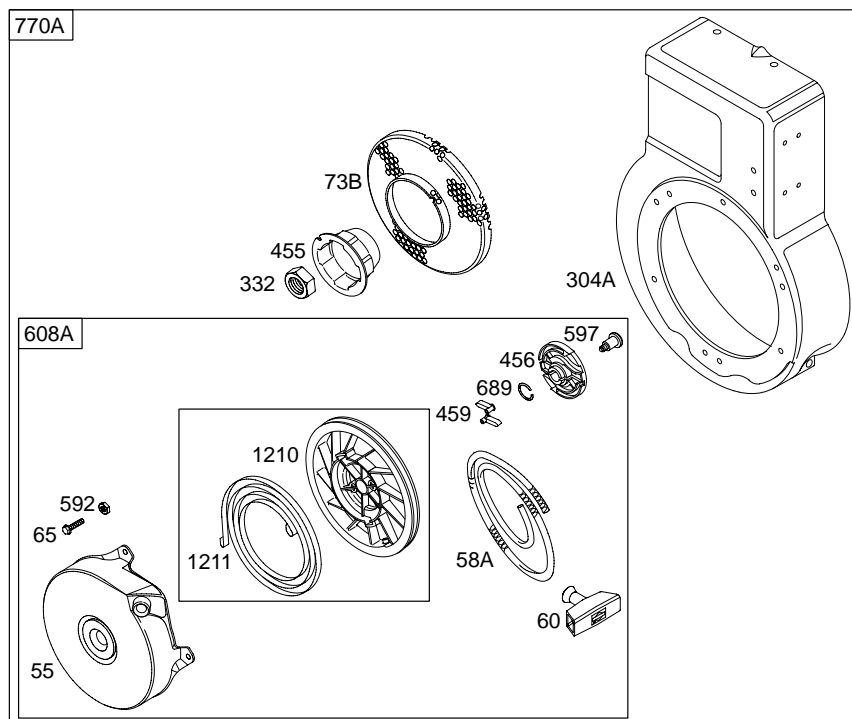
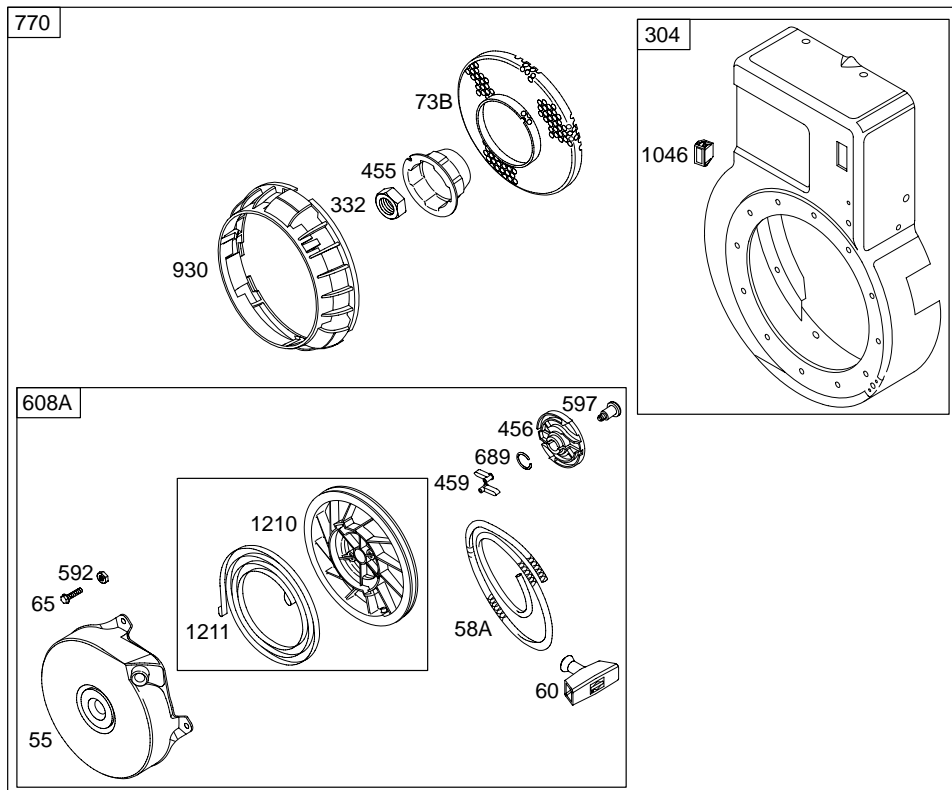
0323-5 *Illustrations cover a range of engines. Parts shown without corresponding text may not be used on your specific engine.* Assemblies include all parts shown in frames. 6/27/2003



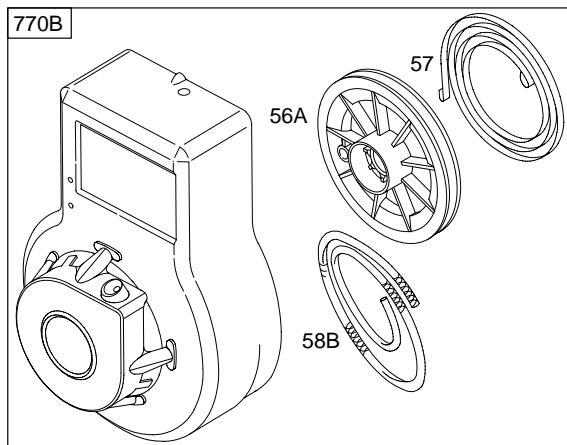
Illustrations cover a range of engines. Parts shown without corresponding text may not be used on your specific engine.
0323-6 Assemblies include all parts shown in frames. **6/27/2003**

1036 Emission Label

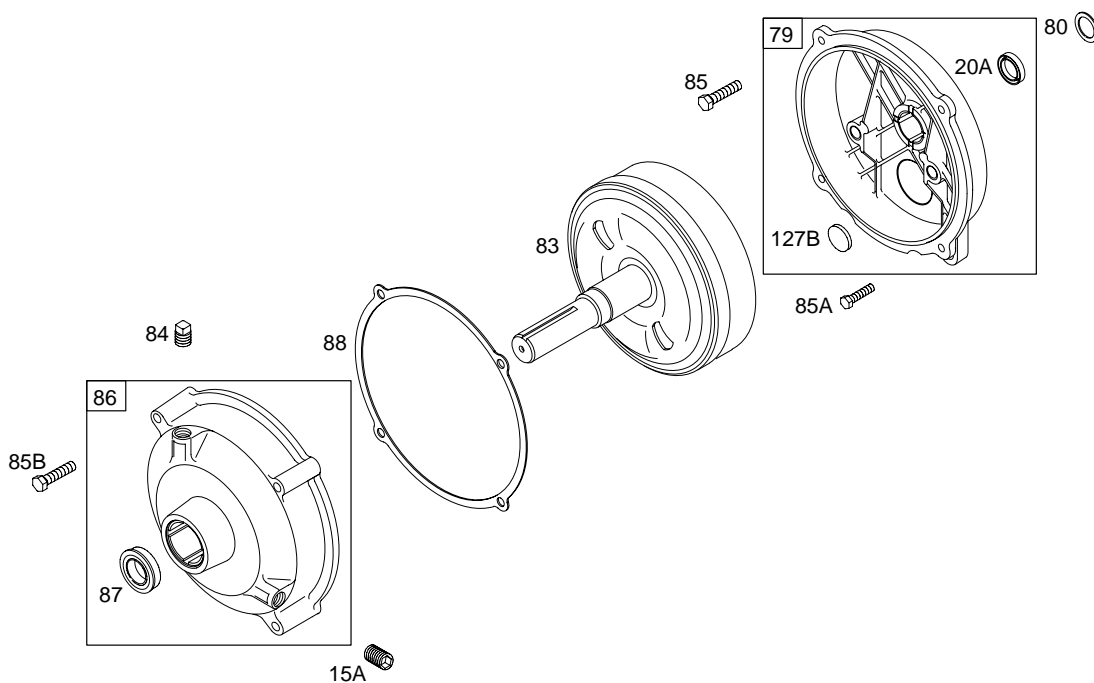
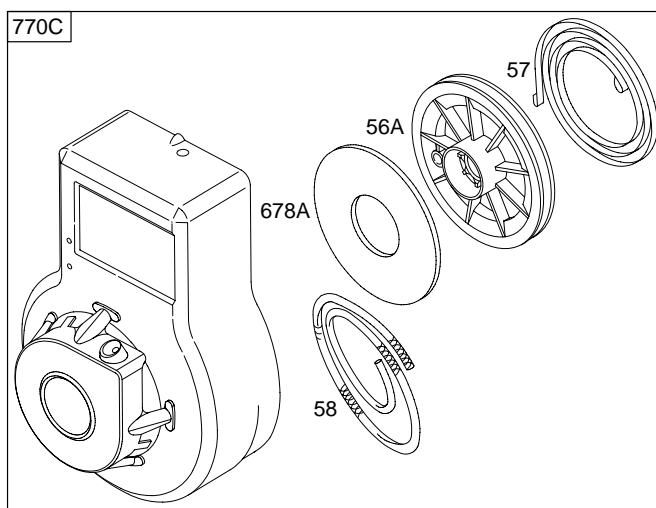




Illustrations cover a range of engines. Parts shown without corresponding text may not be used on your specific engine.
 0323-8 Assemblies include all parts shown in frames. 6/27/2003



305



Illustrations cover a range of engines. Parts shown without corresponding text may not be used on your specific engine.
 0323-9 Assemblies include all parts shown in frames. 6/27/2003

93400

REF. NO.	PART NO.	DESCRIPTION	REF. NO.	PART NO.	DESCRIPTION	REF. NO.	PART NO.	DESCRIPTION
1	695165	Cylinder Assembly (Used After Code Date 99103100). Note 496864 Cylinder Assembly (Used Before Code Date 99110100).	16	399006	Crankshaft Note 492086 Crankshaft Used On Type No(s). 0060, 0360. 492095 Crankshaft Used on Type No(s). 0035, 0149, 0335, 1035. 492880 Crankshaft Used on Type No(s). 0015, 0315, 1015. 493599 Crankshaft Used on Type No(s). 0024, 0049, 0141, 0168, 0349, 1049, 1241, 1242, 1277. 493632 Crankshaft Used on Type No(s). 0011, 0150, 0169, 0172, 0669, 1269, 1278. 690821 Crankshaft Used On Type No(s). 0036, 0137, 0140, 0145, 0336. 690836 Crankshaft Used On Type No(s). 0041, 0158, 1258. 497232 Crankshaft Used on Type No(s). 0037, 0144, 0154, 0337, 0654, 1037. 691474 Crankshaft Used On Type No(s). 1254. 692145 Crankshaft Used On Type No(s). 1038, 1257.	18	497502	Cover-Crankcase Note 496679 Cover-Crankcase (Plain Bearing Cover-Flange Mount) Used on Type No(s). 0024, 0040, 0049, 0141, 0150, 0168, 0169, 0172, 0349, 0669, 1049, 1241, 1242, 1269, 1277. 496788 Cover-Crankcase (Plain Bearing Cover-Flange Mount) Used On Type No(s). 0011, 0015, 0039, 0060, 0154, 0315, 0339, 0360, 0654, 1015, 1039, 1060, 1254, 1278. 496903 Cover-Crankcase Used on Type No(s). 0136, 0139, 0174, 0636, 1236, 1253, 1274.
2	399269	Kit-Bushing/Seal (Magneto Side)				19	691356	Kit-Bushing Seal (PTO Side) (Includes Spacer) Used On Type No(s). 0136, 0139, 0174, 0636, 1236.
3	*299819	Seal-Oil (Magneto Side)				20	692020	Seal-Oil (PTO Side) (For Use With Ball Bearing Covers)
5	690384	Head-Cylinder Note 690386 Head-Cylinder Used On Type No(s). 0136, 0636, 1236.				20A	*299819	Seal-Oil (PTO Side) (Auxiliary Drive)
7	*Ø692288	Gasket-Cylinder Head						
8	495774	Breather Assembly						
9	*Ø27549	Gasket-Breather						
10	691666	Screw (Breather Assembly)						
11A	691246	Tube-Breather						
12	*692218	Gasket-Crankcase (.015" Thick, Standard) Note *270895 Gasket-Crankcase (.005" Thick) *270896 Gasket-Crankcase (.009" Thick)						
13	691640	Screw (Cylinder Head)						
14	690361	Stud (Cylinder Head) (Used in Number 6 and 8 Positions)						
15	691686	Plug-Oil Drain						
15A	691682	Plug-Oil Drain (Recessed Hex)	17	690824	Ball Bearing			

* Included in Engine Gasket Set-Ref. No.358.

● Included in Carburetor Overhaul Kit-Ref. No. 121.

◆ Included in Carburetor Gasket Set-Ref. No. 977.

Ø Included in Valve Gasket Set-Ref. No 1095.

Illustrations cover a range of engines. Parts shown without corresponding text may not be used on your specific engine.

0323-10

Assemblies include all parts shown in frames.

6/27/2003

REF. NO.	PART NO.	DESCRIPTION	REF. NO.	PART NO.	DESCRIPTION	REF. NO.	PART NO.	DESCRIPTION
21	281658	Cap–Oil Fill	25	498668	Piston Assembly (Standard) (Used After Code Date 96012800).	26	695169	Ring Set (Standard) (Used After Code Date 99103100).
22	691662	Screw (Crankcase Cover/Sump) Note 691128 Screw (Crankcase Cover/Sump) (Used in Positions 1 and 6) Used On Type No(s). 0011, 0015, 0035, 0036, 0037, 0038, 0039, 0041, 0060, 0137, 0140, 0144, 0145, 0149, 0152, 0154, 0158, 0315, 0335, 0336, 0337, 0338, 0339, 0360, 0654, 1015, 1035, 1036, 1037, 1038, 1039, 1060, 1201, 1240, 1254, 1257, 1258, 1278. 693732 Screw (Crankcase Cover/Sump) (Used in Positions 1 and 6) Used On Type No(s). 0024, 0040, 0049, 0136, 0139, 0141, 0150, 0153, 0169, 0172, 0174, 0349, 0636, 0669, 1049, 1236, 1241, 1242, 1253, 1269, 1274, 1277.			Note 496869 Piston Assembly (Standard) (Used Before Code Date 96012900). 498669 Piston Assembly (.010" Oversize) (Used After Code Date 96012800). 393820 Piston Assembly (.010" Oversize) (Used Before Code Date 96012900). 498670 Piston Assembly (.020" Oversize) (Used After Code Date 96012800). 393821 Piston Assembly (.020" Oversize) (Used Before Code Date 96012900). 498671 Piston Assembly (.030" Oversize) (Used After Code Date 96012800). 393822 Piston Assembly (.030" Oversize) (Used Before Code Date 96012900).			Note 498680 Ring Set (Standard) (Used After Code Date 96012800 and Before Code Date 99110100). 399067 Ring Set (Standard) (Used Before Code Date 96012900). 695171 Ring Set (.010" Oversize) (Used After Code Date 99103100). 498681 Ring Set (.010" Oversize) (Used After Code Date 96012800 and Before Code Date 99110100). 399014 Ring Set (.010" Oversize) (Used Before Code Date 96012900). 695172 Ring Set (.020" Oversize) (Used After Code Date 99103100). 498682 Ring Set (.020" Oversize) (Used After Code Date 96012800 and Before Code Date 99110100). 399015 Ring Set (.020" Oversize) (Used Before Code Date 96012900). 695173 Ring Set (.030" Oversize) (Used After Code Date 99103100). 498683 Ring Set (.030" Oversize) (Used After Code Date 96012800 and Before Code Date 99110100). 399016 Ring Set (.030" Oversize) (Used Before Code Date 96012900).
23	690843	Flywheel Note 692009 Flywheel Used On Type No(s). 0136, 0636, 1236. 496893 Flywheel Used On Type No(s). 0154, 0654, 1254.						
24	222698	Key–Flywheel						

★ Included in Engine Gasket Set–Ref. No.358.

● Included in Carburetor Overhaul Kit–Ref. No. 121.

◆ Included in Carburetor Gasket Set–Ref. No. 977.

⊘ Included in Valve Gasket Set–Ref. No 1095.

Illustrations cover a range of engines. Parts shown without corresponding text may not be used on your specific engine.

93400

REF. NO.	PART NO.	DESCRIPTION	REF. NO.	PART NO.	DESCRIPTION	REF. NO.	PART NO.	DESCRIPTION
27	691588	Lock-Piston Pin	66	399671	Clutch-Starter (Used Before Code Date 97060600).	88	★691600	Gasket-Gear Reduction Cover
28	298909	Pin-Piston (Standard) Note ——— 298908 Pin-Piston (.005" Oversize)	67	394897	Housing-Clutch (Used Before Code Date 97060600).	94	●493765	Kit-Idle Mixture
29	294367	Rod-Connecting (Standard) Note ——— 296079 Rod- Connecting (.020" Undersize)	68	691604	Ball-Clutch (Used Before Code Date 97060600).	95	691636	Screw (Throttle Valve)
30	691719	Dipper-Connecting Rod	70	691945	Ratchet-Clutch (Used Before Code Date 97060600).	97	496861	Shaft-Throttle
32	691664	Screw (Connecting Rod)	71	691359	Cover-Ratchet (Used Before Code Date 97060600).	98	398185	Kit-Idle Speed
33	497871	Valve-Exhaust	73	694018	Screen-Rotating (Used After Code Date 97071300).	98A	493280	Kit-Idle Speed
34	296677	Valve-Intake	73A	691725	Screen-Rotating	104	●691242	Pin-Float Hinge
35	690520	Spring-Valve (Intake)	73B	694018	Screen-Rotating (Rewind Starter)	108	692567	Valve-Choke (Used After Code Date 96032400). Note ——— 691182 Valve-Choke (Used Before Code Date 96032500).
36	690520	Spring-Valve (Exhaust)	74	691627	Screw (Rotating Screen)	109	496860	Shaft-Choke
37	690463	Guard-Flywheel	75	691736	Washer (Flywheel)	117	498981	Jet-Main (Standard) (Used After Code Date 96032400). Note ——— 496063 Jet-Main (Standard) (Used Before Code Date 96032500).
40	692194	Retainer-Valve	76	68238	Seal-Ratchet	118	494870	Jet-Main (High Altitude) (Used After Code Date 96032400).
45	691762	Tappet-Valve	78	690364	Screw (Flywheel Guard)			497466 Jet-Main (High Altitude) (Used Before Code Date 96032500).
46	691998	Camshaft	79	690605	Case-Gear Reduction			
50	691922	Manifold-Intake	80	★691602	Gasket-Gear Case			
51	★∅692283	Gasket-Intake	83	690374	Shaft-Auxiliary Drive			
51A	★273113	Gasket-Intake	84	691121	Plug-Breather			
54	691688	Screw (Intake Manifold)	85	690369	Screw (Gear Cover to Gear Reduction Case) (7/8" Long)			
55	692144	Housing-Rewind Starter	85A	691122	Screw (Gear Cover to Gear Reduction Case) (1 1/2" Long)	121	498260	Kit-Carburetor Overhaul
56A	280439	Pulley-Starter	85B	691117	Screw (Gear Cover to Gear Reduction Case) (7/8" Long)	125	496863	Carburetor
57	490179	Spring-Rewind Starter				127A	●691739	Plug-Welch (5/16" Diameter)
58	691921	Rope-Starter (Cut to Required Length)				127B	691585	Plug-Welch (Gear Reduction Case)
58A	280399	Rope-Starter (Cut to Required Length)				130	691181	Valve-Throttle
58B	691921	Rope-Starter (Cut to Required Length)				133	398187	Float-Carburetor
60	691915	Grip-Starter Rope	86	690608	Cover-Gear	134	●398188	Kit-Needle/Seat
65	690837	Screw (Rewind Starter)	87	691582	Seal-Gear Reduction			

★ Included in Engine Gasket Set-Ref. No.358.

● Included in Carburetor Overhaul Kit-Ref. No. 121.

◆ Included in Carburetor Gasket Set-Ref. No. 977.

∅ Included in Valve Gasket Set-Ref. No 1095.

Illustrations cover a range of engines. Parts shown without corresponding text may not be used on your specific engine.

REF. NO.	PART NO.	DESCRIPTION	REF. NO.	PART NO.	DESCRIPTION	REF. NO.	PART NO.	DESCRIPTION
137	◆693981	Gasket-Float Bowl	222	691411	Bracket-Control (Used After Code Date 94111300).	306	690461	Shield-Cylinder
146	499047	Key-Timing (Timing Gear)			_____ Note _____	307	691660	Screw (Cylinder Shield)
161	691393	Base-Air Cleaner			_____ Note _____	308	690462	Cover-Cylinder
163	★∅272948	Gasket-Air Cleaner			495762 Bracket-	332	690662	Nut (Flywheel)
182	690485	Bracket-Fuel Tank			Control (Used Before Code Date 94111400).	333	496914	Armature-Magneto
186	692317	Connector-Hose				334	691061	Screw (Magneto Armature)
187	296004	Line-Fuel	227	691412	Lever-Governor Control (Used After Code Date 94111400).	337	496018	Spark Plug _____ Note _____
187A	495218	Line-Fuel (Molded)			_____ Note _____			802592 Spark Plug Used On Type No(s). 0136, 0636.
188	691637	Screw (Control Bracket)			496000 Lever-			
190	692199	Screw (Fuel Tank)			Governor Control (Used Before Code Date 94111500).	347	691396	Switch-Rocker
202	692351	Link-Mechanical Governor				356	693010	Wire-Stop (Armature to Switch)
209	691857	Spring-Governor (Silver) (Used After Code Date 95100800).	232	691846	Spring-Governor Link	356A	690791	Wire-Stop
		_____ Note _____	240	298090	Fuel Filter	356B	690792	Wire-Stop
		691858 Spring-	265	691024	Clamp-Casing	356C	691409	Wire-Stop
		Governor (Yellow) Used On Type No(s). 0010, 0038, 0039, 0040, 0136, 0139, 0150, 0152, 0153, 0155, 0157, 0169, 0172, 0174, 0338, 0339, 0636, 0669, 1038, 1039, 1236, 1253, 1257, 1269, 1274.	267	690804	Screw (Casing Clamp)	356D	696030	Wire-Stop
			268	691072	Casing-Control Wire (Cut to Required Length)	357	692191	Key-Drive Pulley
			269	691589	Wire-Control (Cut to Required Length)	358	496865	Gasket Set-Engine
			270	691027	Nut (Control Wire Casing)	360	691105	Nut (Fuel Tank Bracket)
			271	691028	Lever-Control	363	19069	Puller-Flywheel
			276	◆271716	Washer-Sealing	365	691689	Screw (Carburetor)
			287	691693	Screw (Dipstick Tube)	383	89838	Wrench-Spark Plug
211	691849	Spring-Governed Idle (Silver) (Fuel Tank)	300	692365	Muffler	404	691691	Washer (Governor Crank)
219	496786	Gear-Governor	301	690526	Pipe-Exhaust	415	691363	Plug (For High Oil Fill Hole)
220	691724	Washer (Governor Gear)	304	692622	Housing-Blower	425	690670	Screw (Air Cleaner Cover)
			304A	694144	Housing-Blower	427	690355	Nut (Control Bracket)
			305	692198	Screw (Blower Housing)			

★ Included in Engine Gasket Set-Ref. No.358.

● Included in Carburetor Overhaul Kit-Ref. No. 121.

◆ Included in Carburetor Gasket Set-Ref. No. 977.

∅ Included in Valve Gasket Set-Ref. No 1095.

Illustrations cover a range of engines. Parts shown without corresponding text may not be used on your specific engine.

93400

REF. NO.	PART NO.	DESCRIPTION	REF. NO.	PART NO.	DESCRIPTION	REF. NO.	PART NO.	DESCRIPTION
441	690484	Bracket—Oil Fill	601A	691038	Clamp—Hose (Black)	832	692368	Guard—Muffler
445	494511	Filter—Air Cleaner Cartridge	608	499706	Starter—Rewind	836	691693	Screw (Muffler Guard)
455	691236	Cup—Flywheel	608A	690101	Starter—Rewind	836A	691685	Screw (Muffler Guard)
456	692299	Plate—Pawl Friction	613	690810	Screw (Exhaust Muffler)	842	★691870	Seal—O Ring (Dipstick Tube)
459	281505	Pawl—Ratchet	614	691620	Pin—Cotter	847	690848	Dipstick/Tube Assembly
469	694420	Trim—Rotating Ring	616	692016	Crank—Governor	851	493880	Terminal—Spark Plug
504	495659	Washer Set—Friction	633	◆691321	Seal—Choke/Throttle Shaft (Throttle)	869	691701	Seat—Valve (Intake)
505	691251	Nut (Governor Control Lever)	633A	◆693867	Seal—Choke/Throttle Shaft (Choke)	870	691702	Seat—Valve (Exhaust)
523	495264	Dipstick (Used After Code Date 99031400). ————— Note ————— 691395 Dipstick (Used Before Code Date 99150300).	635	66538	Boot—Spark Plug	871	262001	Bushing—Valve Guide
524	★691876	Seal—Dipstick Tube	643	691908	Retainer—Air Filter	883	★∅691880	Gasket—Exhaust
525	694426	Tube—Dipstick (Used After Code Date 99031400). ————— Note ————— 691320 Tube—Dipstick (Used Before Code Date 99031500).	674	691108	Screw (Fuel Tank Bracket)	930	691348	Guard—Rewind
529	692187	Grommet	676	692010	Deflector—Muffler	930A	691330	Guard—Rewind
529A	692189	Grommet	678A	490817	Spacer—Rewind	930B	690601	Guard—Rewind (Used Before Code Date 94082900).
552	690508	Bushing—Governor Crank	689	691855	Spring—Friction	957	493988	Cap—Fuel Tank
562	92613	Bolt (Governor Control Lever)	692	690572	Spring—Detent	958	494769	Valve—Fuel Shut Off
592	690800	Nut (Rewind Starter)	718	690959	Pin—Locating (Cylinder)	967	492889	Filter—Pre Cleaner
597	691696	Screw (Pawl Friction Plate)	741	691805	Gear—Timing	968	691327	Cover—Air Cleaner
601	95162	Clamp—Hose (Green)	770	690098	Kit—Rewind/Blower Housing	971	690370	Screw (Air Cleaner Base)
			770A	690102	Kit—Rewind/Blower Housing Used On Type No(s). 0136, 0139, 0153, 0636, 1236, 1253.	972	690852	Tank—Fuel
			770B		Kit—Rewind/Blower Housing (12 O'Clock) (For Replacement Rewind/Blower Housing Kit, See Ref 770A)	975	493640	Bowl—Float
						977	498261	Gasket Set—Carburetor
						994	690813	Arrestor—Spark
						1019	496905	Kit—Label (Non Emission) Used On Type No(s). 0315, 0335, 0336, 0337, 0338, 0339, 0349, 0360, 0636, 0654, 0669.

★ Included in Engine Gasket Set—Ref. No.358.

● Included in Carburetor Overhaul Kit—Ref. No. 121.

◆ Included in Carburetor Gasket Set—Ref. No. 977.

∅ Included in Valve Gasket Set—Ref. No 1095.

Illustrations cover a range of engines. Parts shown without corresponding text may not be used on your specific engine.

REF. NO.	PART NO.	DESCRIPTION	REF. NO.	PART NO.	DESCRIPTION	REF. NO.	PART NO.	DESCRIPTION
1036	696765	Label-Emission (Used After Code Date 01093000).	1046	691337	Plug-Blower Housing	1095	498525	Gasket Set-Valve
	695098	Label-Emission (Used After Code Date 99093000 and Before Code Date 01100100).	1054	280275	Tie-Cable	1194	*691876	Seal-O Ring (Plug)
	Note		1058	274779	Owner's Manual	1210	499901	Pulley/Spring Assembly (Pulley)
	694427	Label-Emission (Used After Code Date 98123100 and Before Code Date 99100100).		273124	Owner's Manual	1211	499901	Pulley/Spring Assembly (Spring)
	499334	Label-Emission (Used After Code Date 97063000 and Before Code Date 99010100).			Used On Type No(s). 0315, 0335, 0336, 0337, 0338, 0339, 0349, 0360, 0636, 0654, 0669.			
	499333	Label-Emission (Used Before Code Date 97070100).						

★ Included in Engine Gasket Set-Ref. No.358.
● Included in Carburetor Overhaul Kit-Ref. No. 121.

◆ Included in Carburetor Gasket Set-Ref. No. 977.
∅ Included in Valve Gasket Set-Ref. No 1095.

0323-15 *Illustrations cover a range of engines. Parts shown without corresponding text may not be used on your specific engine.* Assemblies include all parts shown in frames. **6/27/2003**