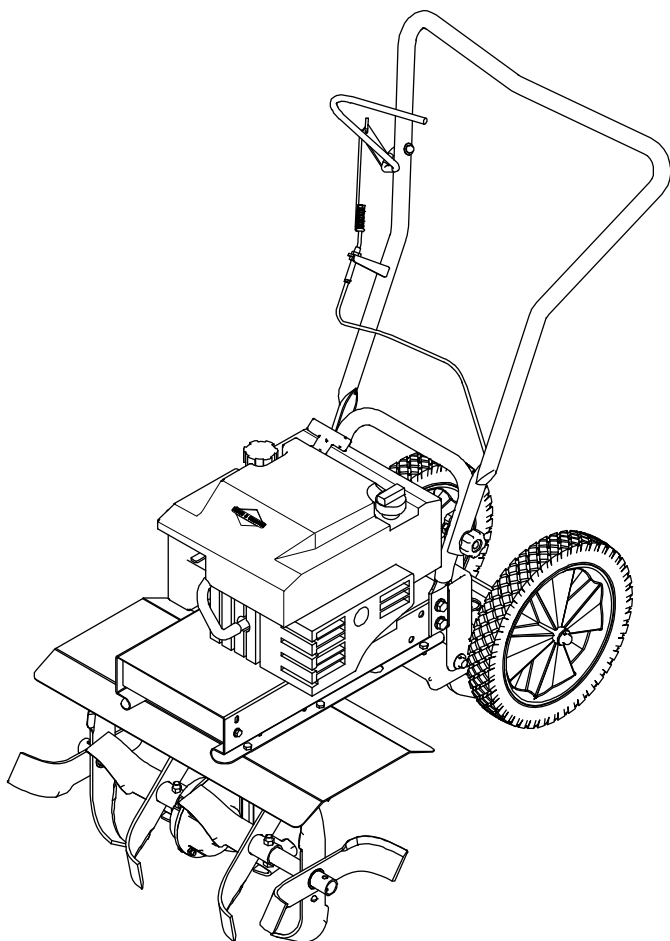


Parts Manual for
SNAPPER®

FRONT TINE TILLER
5521FT

Model No. **Description**
1695578 5521FT



Briggs & Stratton Yard Power Products Group

535 Macon Road
McDonough, GA, 30253 U.S.A.
800-935-2967

Manual No. 1738926

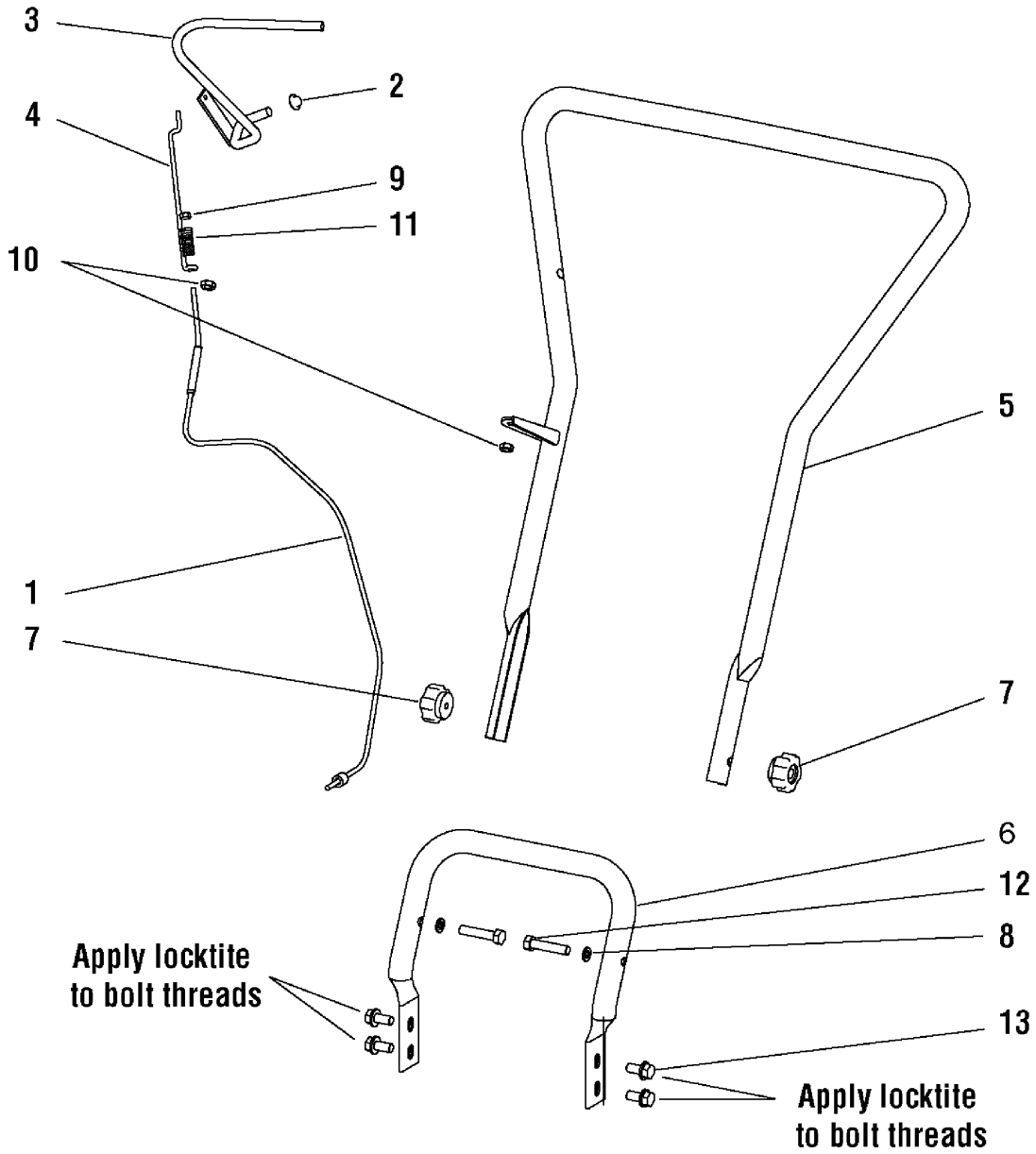
Revision: - 6/9/2009

Not for
Reproduction

PAGE	GROUP
4	Handle Bar Group
6	Engine Mount Group
8	Decals Group
10	Tine Assembly Group

Not for
Reproduction

Handle Bar Group



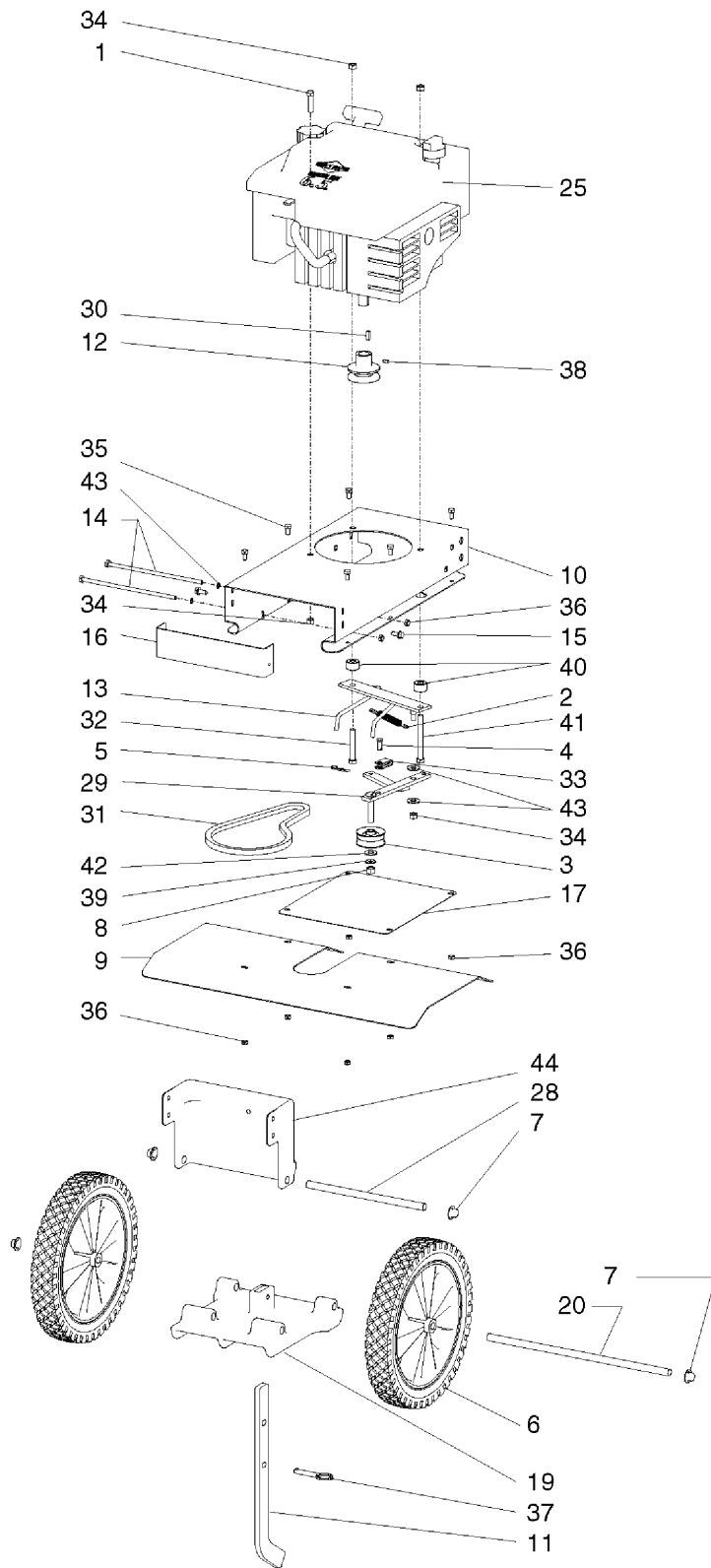
Handle Bar Group

Item	Part No	Qty	Description
1	1738714	1	CABLE ASSEMBLY, With Ferrel
2	1960093	1	NUT, Push, 3/8 Dia.
3	1738715	1	LEVER, Drive Safety Control
4	1738693	1	LINK, 5-3/4
5	1738694	1	HANDLE, Top
6	1738716	1	HANDLE. Bottom
7	1733098	2	KNOB, 5-Star, 5/16-18
8	1916165	2	WASHER, Locking, Spring, 5/16
9	1933896	1	NUT, Hex, Nylock, 10-24
10	2820438	2	NUT, Hex-Jam, 5/16-24
11	1738712	1	SPRING, Compression, Forward Arm
12	1922127	2	BOLT, Hex-Head, 5/16-18 x 1-3/4
13	1934654	4	BOLT, Hex-Head, Serated Flange, 3/8-16 x 1

Not for
Reproduction

Footnotes:

Engine Mount Group

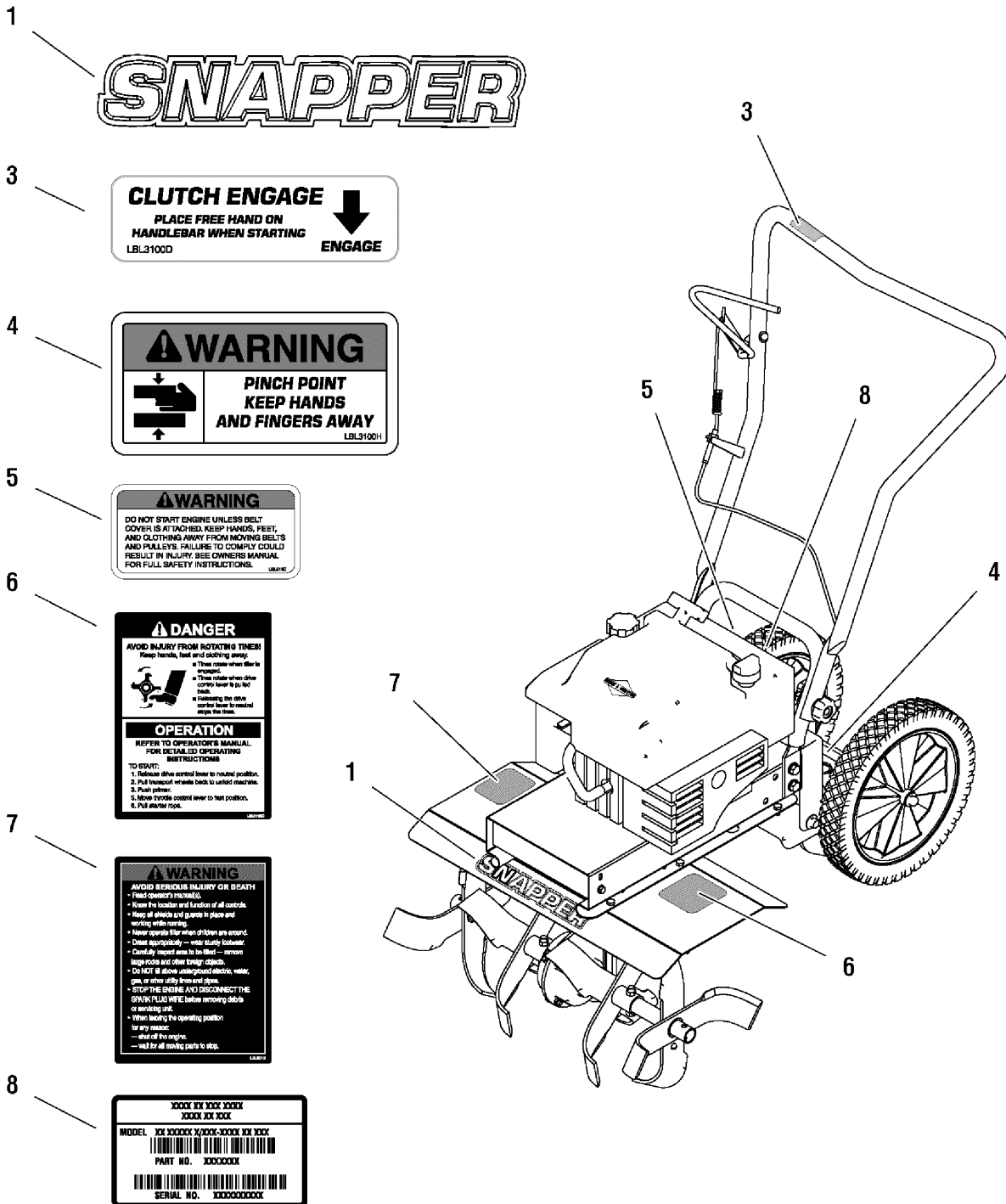


Engine Mount Group

Item	Part No	Qty	Description
1	1921977	1	BOLT, Hex-Head Capscrew, 5/16-18 x 1-1/4
2	1716802	1	SPRING, Forward Arm
3	1716805	1	PULLEY, Reverse Idler
4	1716702	1	PIN, Link
5	1716703	1	PIN, Cotter
6	1738774	2	WHEEL & TIRE ASSEMBLY
7	1960519	4	NUT, Push, 1/2 Dia.
8	1916950	1	NUT, Hex, Non-Locking, 3/8-16
9	1738691	1	SHIELD, Tine
10	1738692	1	FRAME, Engine Mount
11	1738705	1	LEVER, Depth Regulator
12	1738713	1	PULLEY, Engine, Single-Groove, 3/4 I.D.
13	1738718	1	BELT GUIDE & MOUNT
14	1960283	2	BOLT, Hex-Head Capscrew, 1/4-20 x 7-1/2
15	1925592	2	SCREW, Sheet Metal, 1/4 x 3/4
16	1738719	1	COVER, Front Belt
17	1738695	1	SHIELD, Dirt
19	1738703	1	TAIL MOUNT, Lower
20	1738709	1	SHAFT, Wheel, 1/2
25	-----	1	* ENGINE, 6.50 T.R. Briggs & Stratton (MTT10T7020124B1)
28	1738704	1	SHAFT, Tail Mount Hinge, 1/2
29	1738710	1	IDLER ARM, Forward
30	1716771	1	KEY, Square, 3/16 x 5/8
31	1738711	1	BELT, Forward
32	1921978	1	BOLT, Hex-Head, Capscrew, 5/16-18 x 2-1/4, G5
33	1716728	1	YOKE, Clevis, Zinc-Plated
34	1923362	4	NUT, Bi-Way Lock, 5/16-18
35	1921978	6	BOLT, Hex-Head, Capscrew, 1/4-20 x 2, G5
36	722393	8	NUT, Hex Ny-Lock, 1/4-20
37	1738771	1	PIN, Detent, 5/16 x 2
38	1716758	2	SET SCREW, 1/4-20 x 1/4
39	720178	1	WASHER, Spring-Lock, 3/8
40	1738775	2	SPACER, Guide Belt
41	1926106	1	BOLT, Hex-Head, 5/16-18 x 3-1/4
42	1918265	3	WASHER, Flat, 5/16
43	721912	2	WASHER, Spring Lock, 1/4
44	1738898	1	TAIL MOUNT, Upper

Footnotes:

Note* See your local Briggs & Stratton distributor for Parts & Service.



SNAPPER

CLUTCH ENGAGE
 PLACE FREE HAND ON
 HANDLEBAR WHEN STARTING
LBL3100D **ENGAGE**

WARNING
PINCH POINT
KEEP HANDS
AND FINGERS AWAY
LBL3100H

WARNING
 DO NOT START ENGINE UNLESS BELT
 COVER IS ATTACHED. KEEP HANDS, FEET,
 AND CLOTHING AWAY FROM MOVING BELTS
 AND PULLEYS. FAILURE TO COMPLY COULD
 RESULT IN INJURY. SEE OWNERS MANUAL
 FOR FULL SAFETY INSTRUCTIONS. LBL3100C

DANGER
AVOID INJURY FROM ROTATING TINES!
 Keep hands, feet and clothing away
 from tines. LBL3100E

OPERATION
 REFER TO OPERATOR'S MANUAL
 FOR DETAILED OPERATING
 INSTRUCTIONS

TO START:
 1. Release drive control lever to neutral position.
 2. Pull freewheel wheels back to unlock machine.
 3. Push primer.
 4. Move throttle control lever to full position.
 5. Pull starter rope.

WARNING
AVOID SERIOUS INJURY OR DEATH
 • Read operator's manual.
 • Know the location and function of all controls.
 • Keep all stands and guards in place and working with care.
 • Never operate this machine when children are around.
 • Dress appropriately — wear sturdy footwear.
 • Clearly mark areas to be avoided — caution tape, cones and other danger devices.
 • Do NOT sit above underground electric, water, gas, or other utility lines and pipes.
 • STOP THE ENGINE AND DISCONNECT THE SPARK PLUG WIRE before removing debris or servicing unit.
 • When leaving the operating position for any reason:
 — shut off the engine.
 — hold on all moving parts to stop. LBL3100F

XXXX XX XXX XXXX
 XXXX XX XXX

MODEL: XX XXXXX / XXX-XXX XX XXX

PART NO. XXXXXXX

SERIAL NO. XXXXXXX

Decals Group

Item	Part No	Qty	Description
1	7073905	1	DECAL, Snapper
2	1738777	1	DECAL SHEET, Common Warning Roticul Tillers (Includes Ref. Nos. 3, 4, 5, 6 & 7)
3	-----	1	* DECAL, Clutch Engage (LBL3100D)
4	-----	1	* DECAL, Warning Pinch Point (LBL3100H)
5	-----	1	* DECAL, Warning, Belt Cover (LBL516C)
6	-----	1	* DECAL, Hood, Operator Instructions Label (LBL3100C)
7	-----	1	* DECAL, Warning, Serious Injury (LBL821B)
8	-----	1	** DECAL, Serial Number

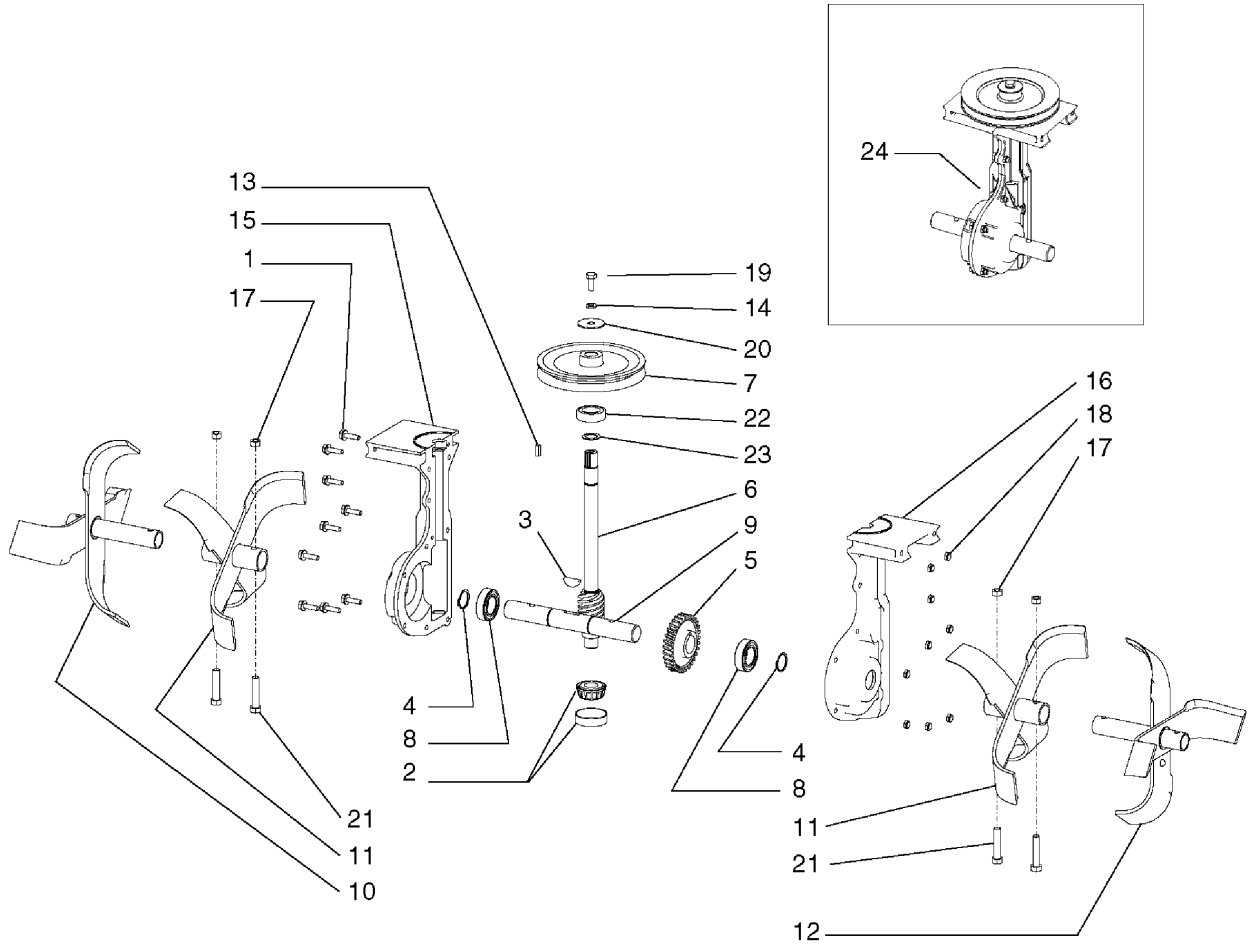
Not for
Reproduction

Footnotes:

Note* Not Serviced Separately, Order Service Decal Sheet Ref. No. 2

Note** Not a Serviceable Part

Tine Assembly Group



Tine Assembly Group

Item	Part No	Qty	Description
1	1716795	9	BOLT, Serated-Flange, Hex-Head, 1/4-20 x 7/8
2	1716810	1	BEARING, Tapered (Includes Cone & Race)
3	1716813	1	KEY, Half-Moon, 1/4 x 1
4	1716830	2	RING, Snap, External
5	-----	1	* GEAR , Brass, 1" I.D.
6	-----	1	* SHAFT, Drive
7	1738702	1	PULLEY, Single-Groove
8	1738701	2	BEARING, Sealed, 1" I.D. (replaces 3205 bearing & 747 spacer)
9	-----	1	* SHAFT, Tine, 1"
10	1738706	1	TINE SET, Outside, Right
11	1738707	2	TINE SET, Inside
12	1738708	1	TINE SET, Outside, Left
13	1716771	1	KEY, Square, 3/16 x 5/8
14	1916165	1	LOCKWASHER, Spring, 5/16
15	-----	1	* CASTING, Right Side
16	-----	1	* CASTING, Left Side
17	1923362	4	NUT, Bi-Way Lock, 5/16-18
18	722393	9	NUT, Hex Ny-Lock, 1/4-20
19	1921515	1	SCREW, Hex-Head, 5/16-24 x 3/4
20	1716770	1	WASHER, 5/16 I.D. x 1-5/8 O.D.
21	1922127	4	BOLT, Hex-Head, 5/16-18 x 1-3/4
22	1738727	1	BEARING, Ball, R12
23	1738776	1	RING, Snap, External, 3/4
24	1738696	1	TRANSMISSION, Complete

Footnotes:

Note* Not a Serviceable Part - Service Complete Transmission

Not for
Reproduction

Not for
Reproduction

Not for
Reproduction

Not for
Reproduction

Parts Manual for

SNAPPER®

FRONT TINE TILLER

5521FT

Not for
Reproduction

IT IS THE POLICY OF BRIGGS & STRATTON CORP. TO IMPROVE ITS PRODUCTS WHENEVER IT IS POSSIBLE AND PRACTICAL TO DO SO. WE RESERVE THE RIGHT TO MAKE CHANGES OR ADD IMPROVEMENTS AT ANY TIME WITHOUT INCURRING ANY OBLIGATION TO MAKE SUCH CHANGES ON PRODUCTS MANUFACTURED

Briggs & Stratton Yard Power Products Group

535 Macon Road
McDonough, GA, 30253 U.S.A.
800-935-2967

www.snapper.com

Copyright © 2009 Briggs & Stratton Corporation
Milwaukee, WI USA. All Rights Reserved

Manual No. 1738926

Revision: - 6/9/2009