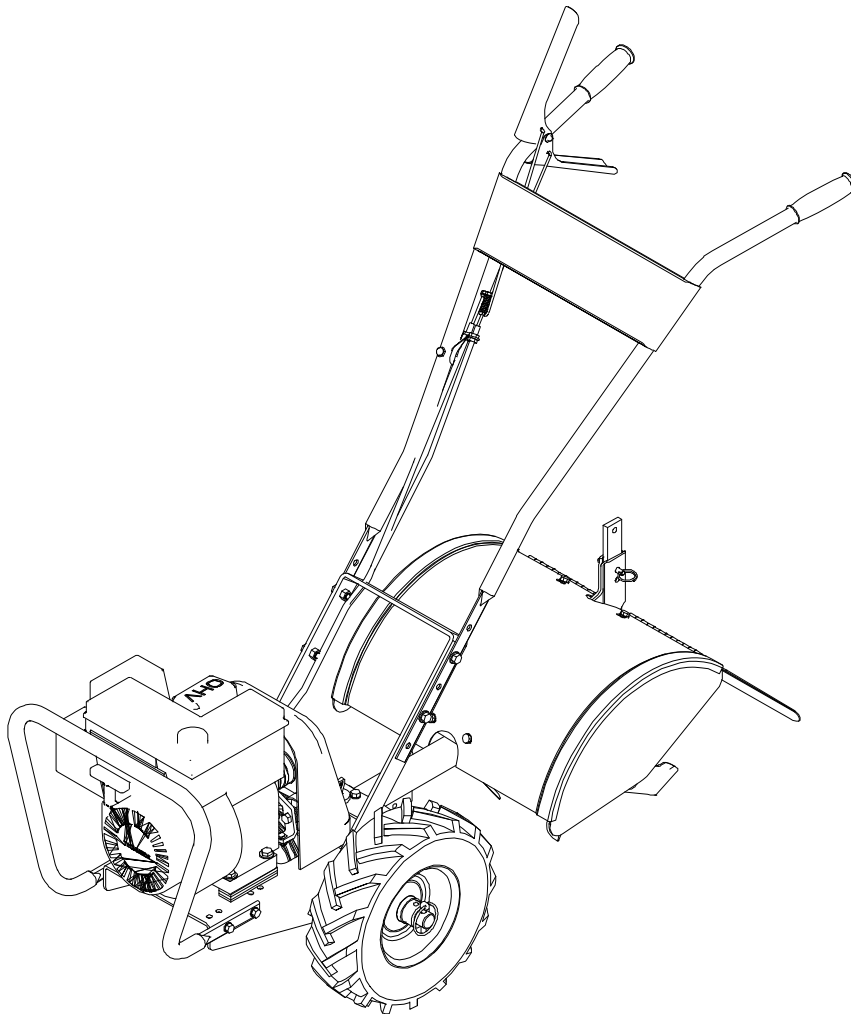


Parts Manual for

SNAPPER®

INTERMEDIATE REAR TINE TILLER 6016RT

Model No. **Description**
1695577 6016RT



Briggs & Stratton Yard Power Products Group

535 Macon Road
McDonough, GA, 30253 U.S.A.
800-935-2967

Manual No. 1738925

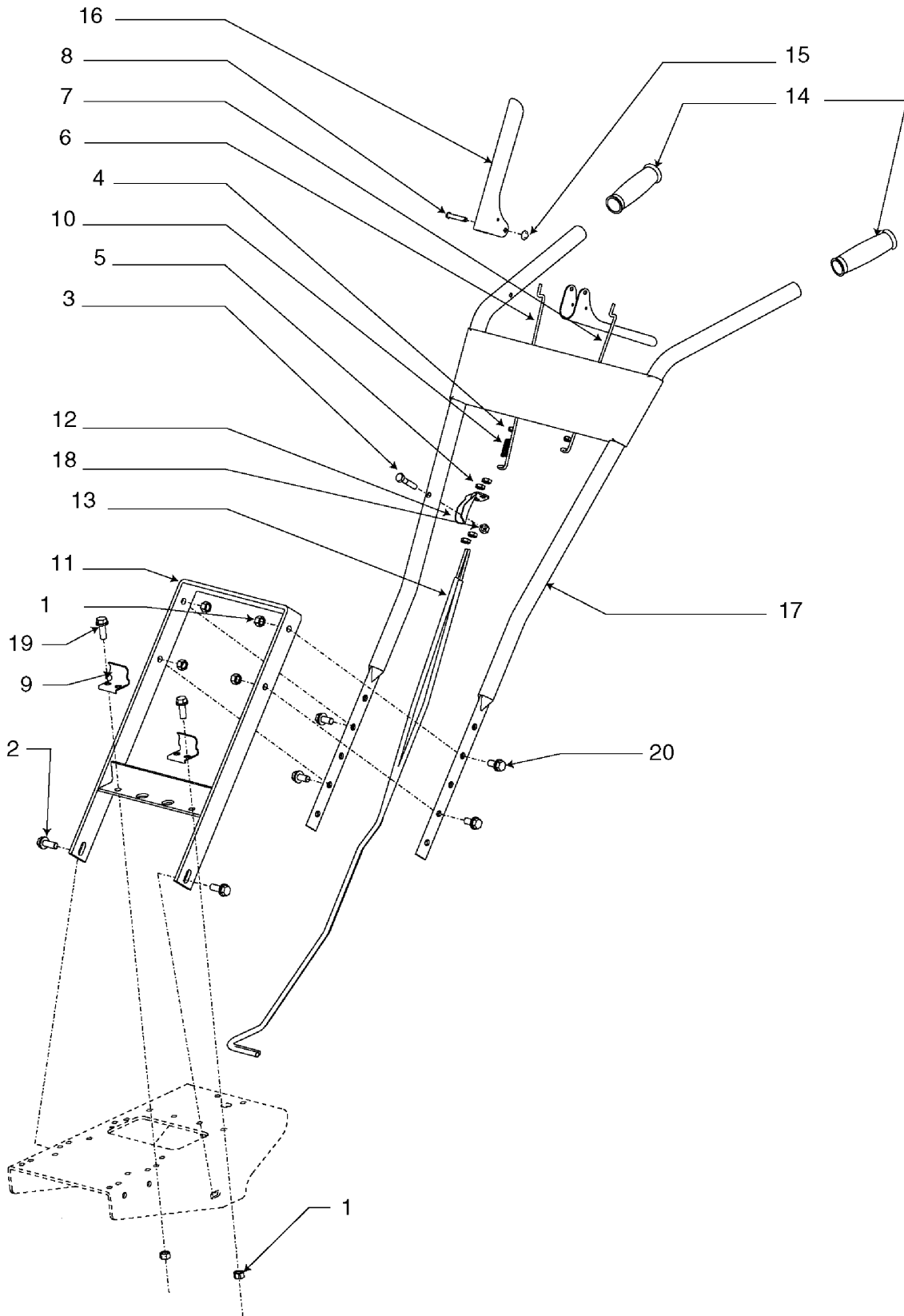
Revision: - 6/9/2009

Not for
Reproduction

PAGE	GROUP
4	Handle Bar Group
6	Hood, Drag Stake & Tine Group
8	Engine Mount Group
10	Wheel & Tiller Shaft Group
12	Decals Group
14	Hiller/Furrower Attachment

Not for
Reproduction

Handle Bar Group



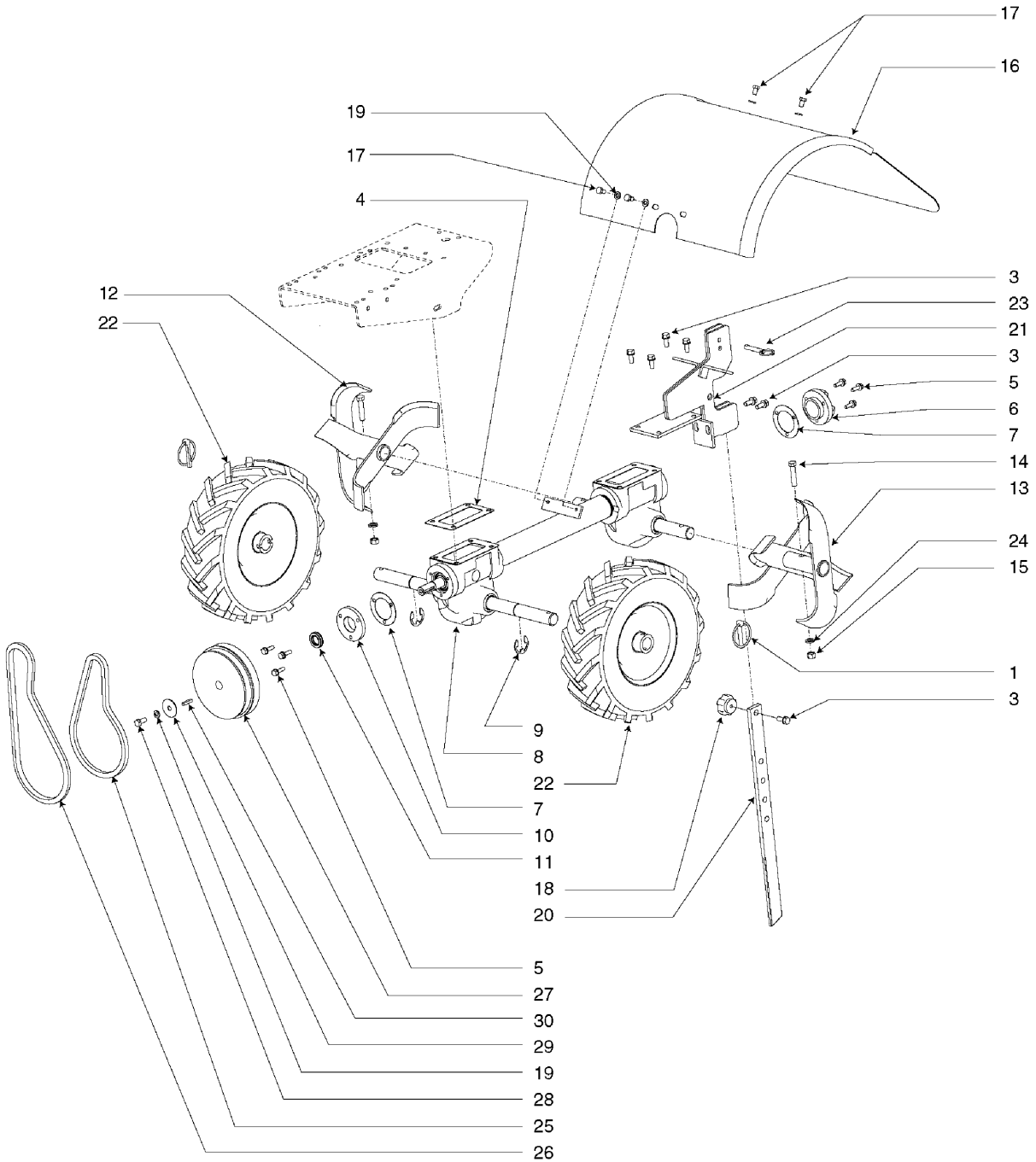
Handle Bar Group

Item	Part No	Qty	Description
1	7091585	6	NUT, Hex, Locking, Two-Way, 3/8-16
2	1931350	2	BOLT, Carriage, 3/8-16 x 1
3	1919326	1	BOLT, Hex-Head, 5/16-18 x 1
4	1933896	2	NUT, Hex, Ny-Lock, 10-24
5	2820438	4	NUT, Hex-Jam, 5/16-24
6	1738630	1	LINK, 11-5/8
7	1738631	1	LINK, 9-1/2
8	1738763	1	PIN, Clevis, 1/4 x 1-1/2
9	1738639	2	CLIP, Belt-Guard
10	1738712	1	SPRING, Compression, Forward Arm
11	1738648	1	MOUNT, Handlebar Assembly
12	1738649	1	BRACKET, Cable Mount
13	1719037	2	CABLE, Rear Tine, 39" Sheath
14	1719038	2	GRIP, Handlebar, Flangeless, 1"
15	725624	1	NUT, Push, 1/4
16	1738663	2	LEVER, Control, Rear Tine
17	1738664	1	HANDLEBAR ASSEMBLY
18	1923362	1	NUT, Bi-Way Lock, 5/16-18
19	1934654	2	BOLT, Serrated Flange, 3/8-16 x 1
20	7091588	4	BOLT, Serrated Flange, 3/8-16 x 3/4

Not for
Reproduction

Footnotes:

Hood, Drag Stake & Tine Group



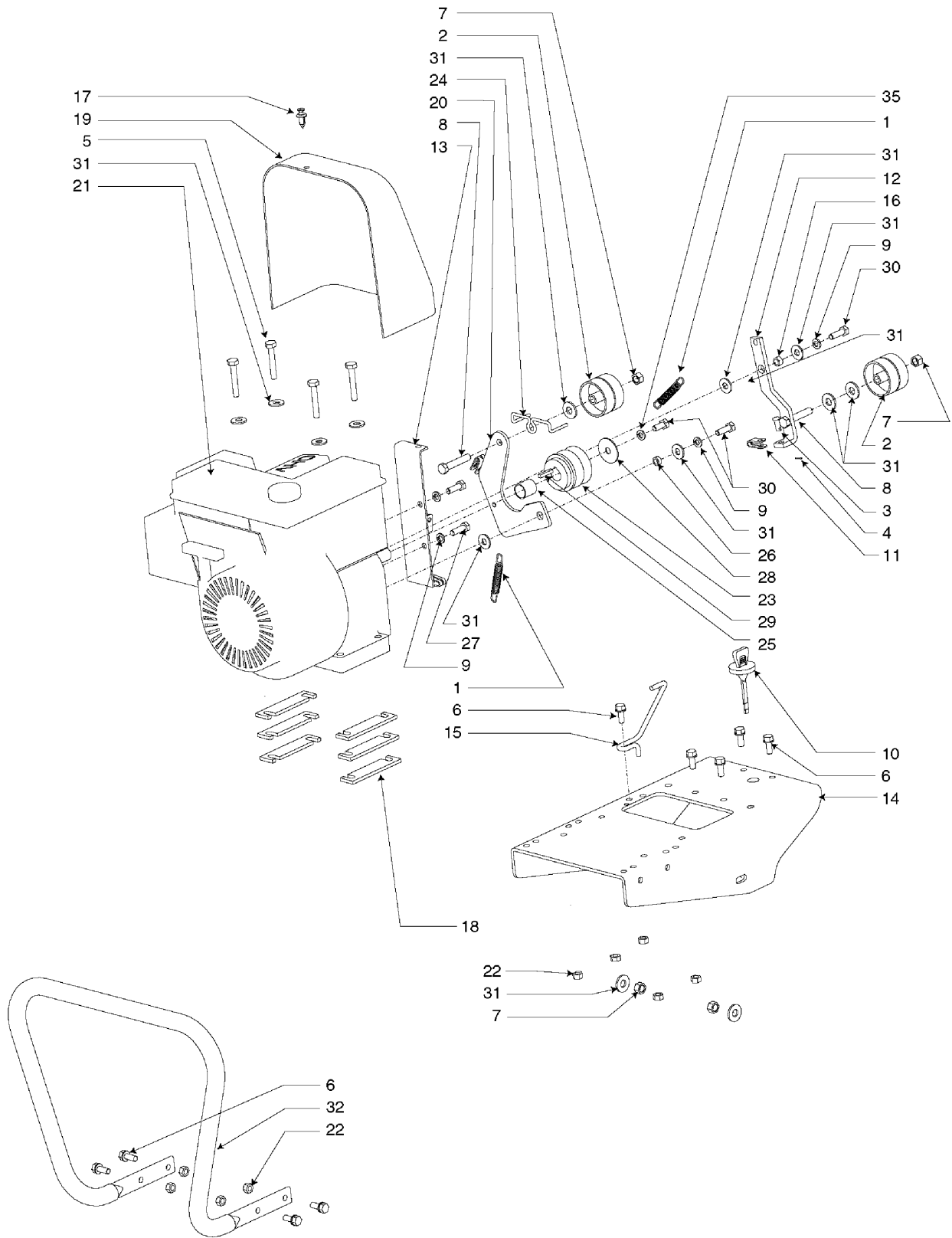
Hood, Drag Stake & Tine Group

Item	Part No	Qty	Description
1	1716776	2	PIN, Locking, 5/16 x 1-3/4
2	1738764	1	TRANSMISSION ASSEMBLY
3	1716780	7	BOLT, Hex-Flange Head, 5/16-18 x 3/4
4	1716789	2	GASKET, Transmission
5	1738765	6	SCREW, M6 x 25
6	1738766	1	COVER, Rear
7	1738767	2	GASKET, Front/Rear Cover
8	-----	1	* TRANSMISSION CASE, Long
9	1738768	2	E-CLIP
10	1738769	1	COVER, Front
11	1738770	1	SEAL, Oil
12	1721513	1	TINE SET, LH
13	1721514	1	TINE SET, RH
14	1921917	2	BOLT, 3/8-16 x 1-3/4
15	7091585	2	NUT, Hex, Locking, Two-Way, 3/8-16
16	1721512	1	HOOD ASSEMBLY
17	1920787	4	BOLT, Hex-Head, 5/16-18 x 1/2, G5
18	1733098	1	KNOB, 5-Star, 5/16-18
19	1916165	3	WASHER, Locking, Spring, 5/16
20	1738652	1	DRAG ASSEMBLY
21	1738670	1	DEPTH REGULATOR, Tail Mount
22	1721525	2	WHEEL, Lock Pin, Left & Right
23	1738771	1	PIN, Detent, 5/16 x 2
24	720178	2	WASHER, Spring-Lock, 3/8
25	1716766	1	BELT, Forward
26	1722144	1	BELT, Reverse
27	1722163	1	PULLEY, Two-Groove, Transmission
28	1921515	1	BOLT, 5/16-24 x 3/4
29	1716770	1	WASHER, 5/16 x 1-1/2
30	2805850	1	KEY, 3/16 x 1

Footnotes:

Note* Not a Serviceable Part - Service Complete Transmission.

Engine Mount Group



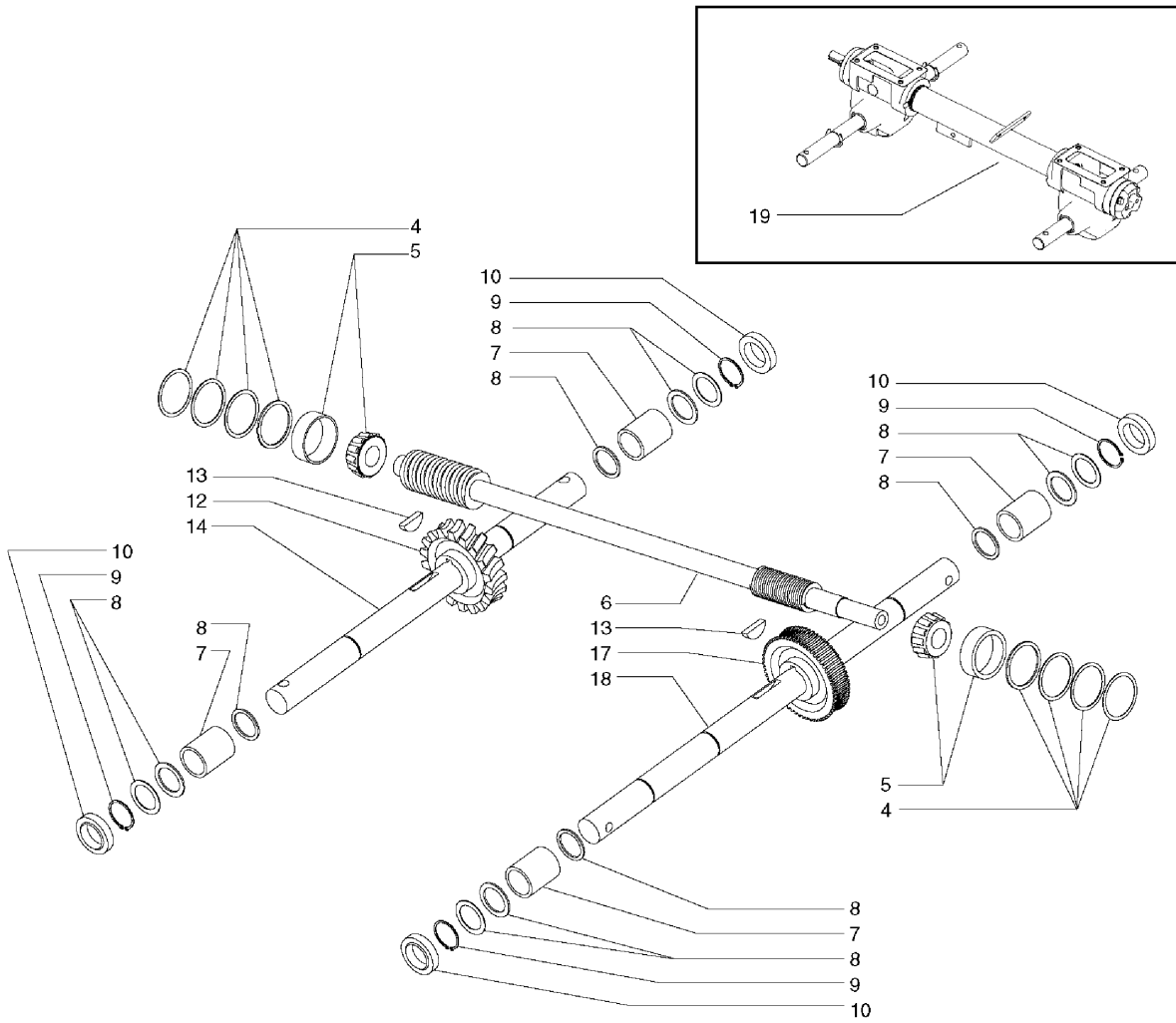
Engine Mount Group

Item	Part No	Qty	Description
1	1716802	2	SPRING, Forward Arm
2	1716803	2	PULLEY, Idler, Forward
3	1716702	1	PIN, Clevis
4	1716703	1	PIN, Cotter, 5/64 x 1/2
5	1921978	4	BOLT, Hex-Head Capscrew, 5/16-18 x 2
6	1716780	5	BOLT, Hex-Flange Head, 5/16-18 x 3/4
7	7091585	4	NUT, Hex, Locking, Two-Way, 3/8-16
8	7091305	2	BOLT, 3/8-16 x 2
9	1916165	5	WASHER, Locking, Spring, 5/16
10	1723700	1	DIP STICK
11	1716728	1	YOKE, Clevis, Zinc-Plated
12	1738668	1	ARM, Forward
13	1738641	1	CABLE PULL ASSEMBLY
14	1738644	1	MOUNT, Motor
15	1738650	1	GUIDE, Belt
16	1738651	1	BUSHING, Forward Arm
17	1738772	1	RIVET, Push-In, Plastic
18	1738654	6	SHIM, Engine Weight Block
19	1738655	1	GUARD, Belt
20	1738665	1	REVERSE TINE ASSEMBLY
21	-----	1	* ENGINE, 6HP Briggs & Stratton INTEK (MTT1212120133B8)
22	1923362	5	NUT, Bi-Way Lock, 5/16-18
23	1722158	1	PULLEY, Two-Groove, 3/4
24	1722162	1	GUIDE, Belt, Reverse
25	1723711	1	SPACER, Drive Pulley, 9/16
26	1738666	1	BUSHING, Reverse Arm
27	1921515	2	BOLT, 5/16-24 x 3/4
28	1716770	1	WASHER, 5/16 x 1-1/2
29	2805850	1	KEY, 3/16 x 1
30	1921982	3	BOLT, 5/16-24 x 1
31	1918265	14	WASHER, Flat, 5/16
32	1738669	1	GUARD, Bumber
35	1738773	1	WASHER, Flat 11/16 ID X 1-1/4 OD

Footnotes:

Note* See your local Briggs & Stratton distributor for Parts & Service.

Wheel & Tiller Shaft Group



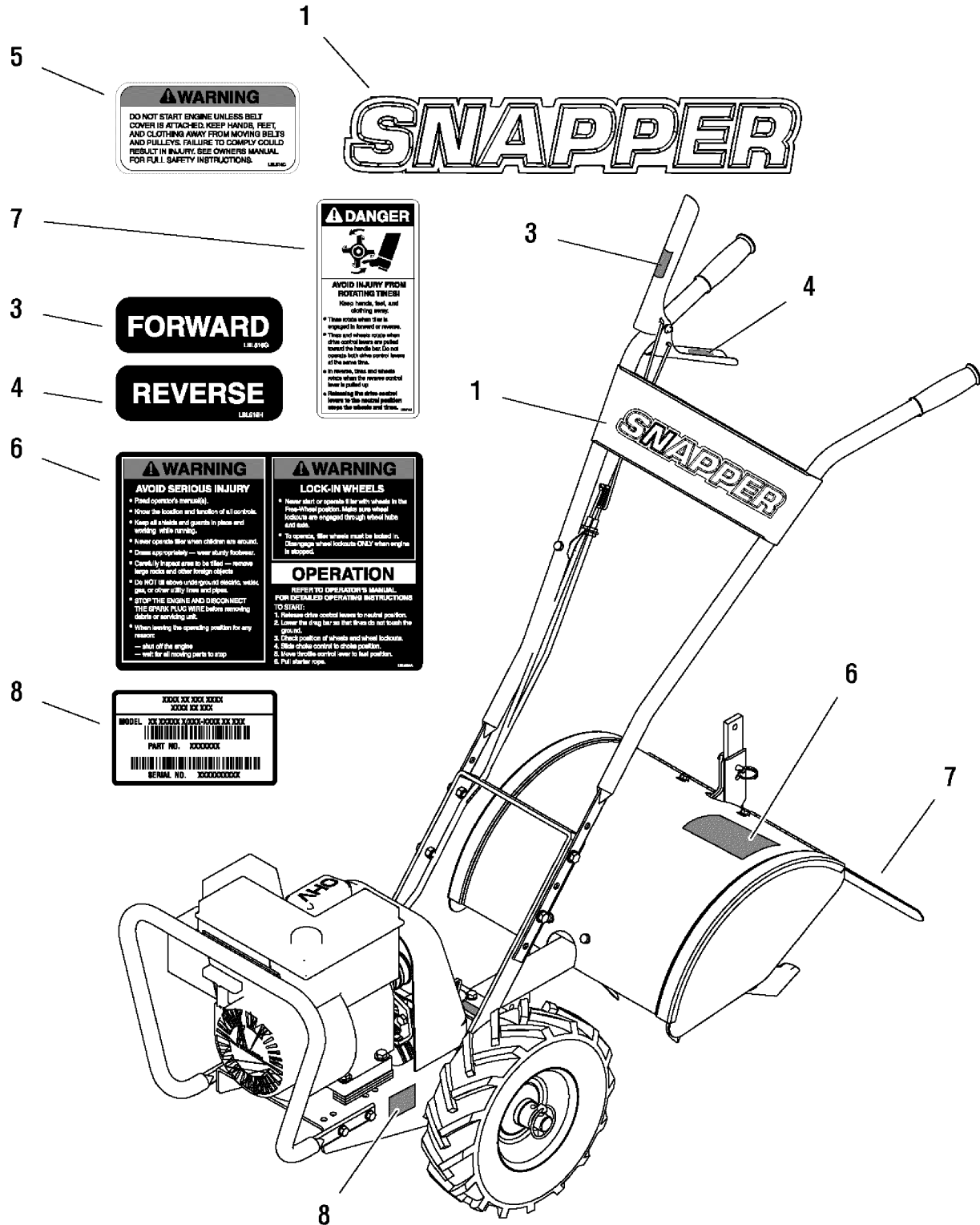
Wheel & Tiller Shaft Group

Item	Part No	Qty	Description
4	----	6	* SHIM, Drive shaft
5	----	2	* BEARING, Tapered Roll
6	----	1	* SHAFT, Drive SRT
7	----	4	* BUSHING
8	----	12	* SPACER, 1" ID x 1-1/4 OD
9	1716830	4	RING, Retainer Shaft
10	1716791	4	SEAL, Oil, Housing
12	----	1	* GEAR, Tine, SRT
13	----	2	* KEY, Woodruff, 6 x 25
14	----	1	* SHAFT, Tine
17	----	1	* GEAR WHEEL
18	----	1	* SHAFT, WHEEL, Long
19	1738764	1	TRANSMISSION ASSEMBLY

Not for
Reproduction

Footnotes:

Note* Not a Serviceable Part - Service Complete Transmission



WARNING
DO NOT START ENGINE UNLESS BELT COVER IS ATTACHED. KEEP HANDS, FEET, AND CLOTHING AWAY FROM MOVING BELTS AND PULLEYS. FAILURE TO COMPLY COULD RESULT IN INJURY. SEE OWNERS MANUAL FOR FULL SAFETY INSTRUCTIONS.

SNAPPER

DANGER
AVOID INJURY FROM ROTATING TINES!
Keep hands, feet, and clothing away.
* These tines when they are engaged in forward or reverse.
* These and wheels rotate when drive control levers are pulled toward the handle bar. Do not operate both drive control levers at the same time.
* In reverse, these and wheels rotate when the reverse control lever is pulled up.
* Releasing the drive control levers to the neutral position stops the wheels and drive.

FORWARD
LRL5190

REVERSE
LRL5191

WARNING
AVOID SERIOUS INJURY
* Read operator's manual(s).
* Know the location and function of all controls.
* Keep all shields and guards in place and working with no tag.
* Never operate this even children are around.
* Drive appropriately — wear safety footwear.
* Carefully inspect area to be tilled — remove large rocks and other foreign objects.
* Do NOT fill engine underground basements, wells, pits, or other (CER) lines and pipes.
* STOP THE ENGINE AND DISCONNECT THE SPARK PLUG WIRE before removing debris or servicing unit.
* When working the operating position for any reason:
— shut off the engine
— wait for all moving parts to stop

WARNING
LOCK-IN WHEELS
* Never start or operate tiller with wheels in the Free-Wheel position. Make sure wheel lock(s) are engaged through wheel hubs and hubs.
* To operate, wheel lock(s) must be locked in. Use safety wheel lock(s) ONLY when engine is stopped.
OPERATION
REFER TO OPERATOR'S MANUAL FOR DETAILED OPERATING INSTRUCTIONS
TO START:
1. Release drive control levers to neutral position.
2. Lower the drag bar so that tires do not touch the ground.
3. Check position of wheels and wheel lockouts.
4. Drive or use control to choose position.
5. Move handle control lever to full position.
6. Pull starter rope.

XXXX XX XXX XXXX
XXXX XX XXX
MODEL: XX XXXX XXXX-XXXX XX XXX
PART. NO. XXXXXXX
SERIAL NO. XXXXXXXXX

Decals Group

Item	Part No	Qty	Description
1	7073905	1	DECAL, SNAPPER
2	1738778	1	DECAL SHEET, Common Warning 6016RT Tillers (Includes Ref. Nos. 3, 4, 5, 6 & 7)
3	-----	1	* DECAL, Forward Instructions (LBL516G)
4	-----	1	* DECAL, Reverse Instructions (LBL516H)
5	-----	1	* DECAL, Warning, Belt Cover (LBL516C)
6	-----	1	* DECAL, Hood, Operator Instructions Label (LBL516AA)
7	-----	1	* DECAL, Danger, Rotating Tines (LBL516J)
8	-----	1	** DECAL, Serial Number

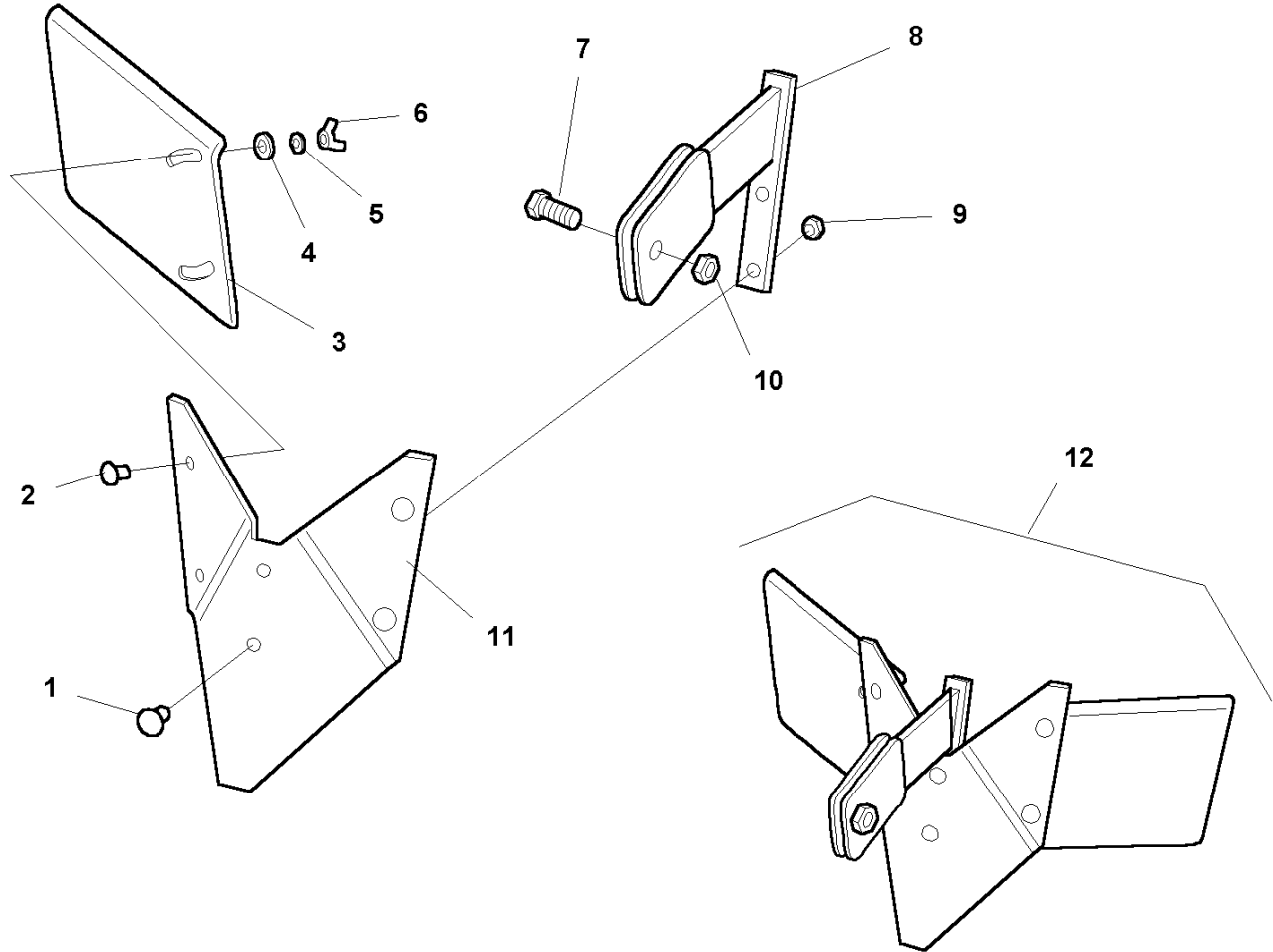
Not for
Reproduction

Footnotes:

Note* Not Serviced Separately, Order Service Decal Sheet Ref. No. 2

Note** Not a Serviceable Part

Hiller/Furrower Attachment



Hiller/Furrower Attachment

Item	Part No	Qty	Description
1	1931352	2	BOLT, Carriage, 3/8-16 x 1-1/2
2	1931333	4	BOLT, Carriage, 5/16-18 x 3/4
3	1723726	1	HILLER WING, Left
3	1723727	1	HILLER WING, Right (Not Shown)
4	1960044	4	WASHER, Flat, 5/16
5	2820426	4	LOCKWASHER, External Tooth, 5/16
6	1933126	4	WING NUT, 5/16-18
7	1960268	1	BOLT, Socket Head, 3/8-16 x 1-1/4
8	1723725	1	BRACKET
9	1919439	2	NUT, Nylock, 3/8-16
10	1916950	1	NUT, Hex, 3/8-16
11	1723724	1	BLADE, Furrower
12	1686802	1	HILLER / FURROWER ATTACHMENT, Complete

Not for
Reproduction

Footnotes:

Not for
Reproduction

Not for
Reproduction

Not for
Reproduction

Not for
Reproduction

Parts Manual for

SNAPPER®

INTERMEDIATE REAR TINE TILLER 6016RT

Not for
Reproduction

IT IS THE POLICY OF BRIGGS & STRATTON CORP. TO IMPROVE ITS PRODUCTS WHENEVER IT IS POSSIBLE AND PRACTICAL TO DO SO. WE RESERVE THE RIGHT TO MAKE CHANGES OR ADD IMPROVEMENTS AT ANY TIME WITHOUT INCURRING ANY OBLIGATION TO MAKE SUCH CHANGES ON PRODUCTS MANUFACTURED

Briggs & Stratton Yard Power Products Group

535 Macon Road
McDonough, GA, 30253 U.S.A.
800-935-2967

www.snapper.com

Copyright © 2009 Briggs & Stratton Corporation
Milwaukee, WI USA. All Rights Reserved

Manual No. 1738925

Revision: - 6/9/2009