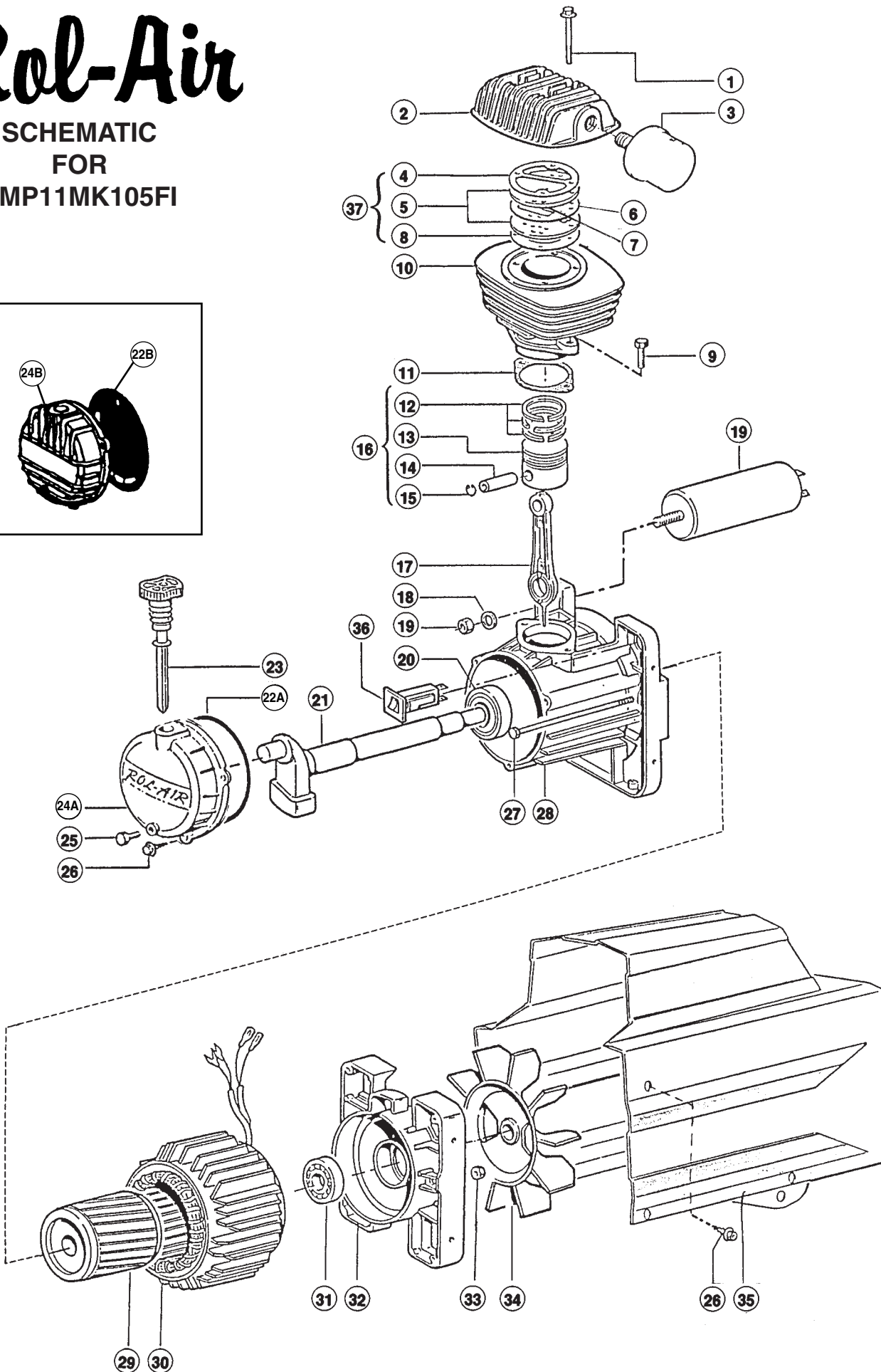
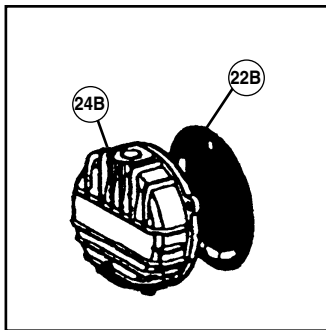


Rol-Air

SCHEMATIC
FOR
PMP11MK105FI





Associate Engineering Corporation

606 S. Lake Street P.O. Box 346
Hustisford, Wisconsin 53034-0346
Phone: 920-349-3281
Sales Fax: 920.349.3691 Service Fax: 920.349.8861
www.rolair.net

PARTS LIST FOR PMP11MK105FI

| Schematic # | Description | Part # | Qty. |
|-------------|---------------------------------|--------------------------|--------|
| 1 | Head Bolt and Washer | 014002021F | 4 |
| 2 | Head | 116001005F | 1 |
| 3 | Filter Assembly | 317013000F | 1 |
| | Replacement Filter Element | 317013004FE | 1 |
| 4 | Gasket | 116022009F | 1 |
| 5 | Valve Plate | 116022013F | 2 |
| 6 | Gasket | 116022012F | 1 |
| 7 | Valve | 116022038F | 2 |
| 8 | Gasket | 116022010F | 1 |
| 9 | Cylinder Bolt | MIS10049 | 2 |
| 10 | Cylinder | 116032060F | 1 |
| 11 | Bottom Gasket | 116022029F | 1 |
| 12 | Piston Ring Set | 216022002F | 1 |
| 13 | Piston | 116022004F | 1 |
| 14 | Piston Pin | 116022040F | 1 |
| 15 | Snap Ring | 015001000F | 2 |
| 16 | Piston Assembly | 416022004F | 1 |
| 17 | Connecting Rod Assembly | 116091021F | 1 |
| 18 | Washer | 014005006F | 1 |
| 19 | Capacitor & Nut | 009200026F | 1 |
| 20 | Front Bearing Assembly | 033018000F | 1 |
| 21 | Crankshaft | 116032006F | 1 |
| 22A | Gasket | 010013000F | 1 |
| 22B | Diaphragm | 116001025F | 1 |
| 23 | Oil Dipstick | 012035000F | 1 |
| 24A | Crankcase Cover | 116022007F | 1 |
| 24B | Crankcase Cover | 016032014F | 1 |
| 25 | Drain Plug | 014013024F | 1 |
| 26 | Screw | 014006121F | 5 |
| 27 | Bolt (Motor Housing) | 116011038F | 2 |
| 28 | Motor Housing | 116022051F | 1 |
| 29 | Rotor | 116022026F | 1 |
| 30 | Stator | 416053641F | 1 |
| 31 | Rear Bearing Assembly | 033005000F | 1 |
| 32 | Motor End Bell | 116011002F | 1 |
| 33 | Nut | 014003002F | 2 |
| 34 | Fan | 116001003F | 1 |
| 35 | Shroud | 199657000F | 1 |
| 36 | Manual Reset Button | 008017000F | 1 |
| 37 | Valve Plate Assy. Gasket Set | 116022100F 216032001F | 1 1 |