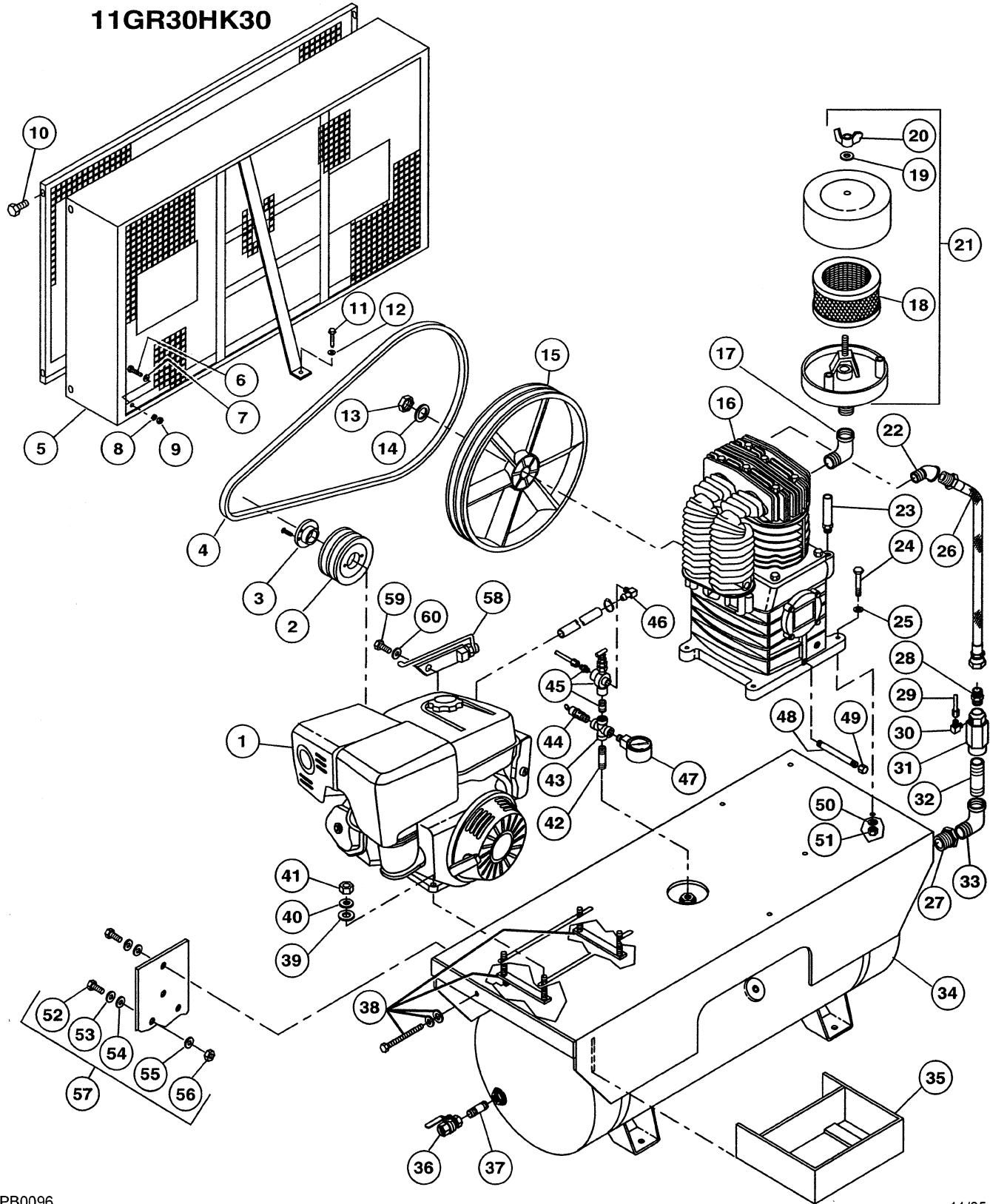


Rol-Air

SCHEMATIC FOR MODEL
11GR30HK30





Associate Engineering Corporation

606 S. Lake Street, P.O. Box 346

Hustisford Wisconsin 53034-0346

Phone: 920-349-3281

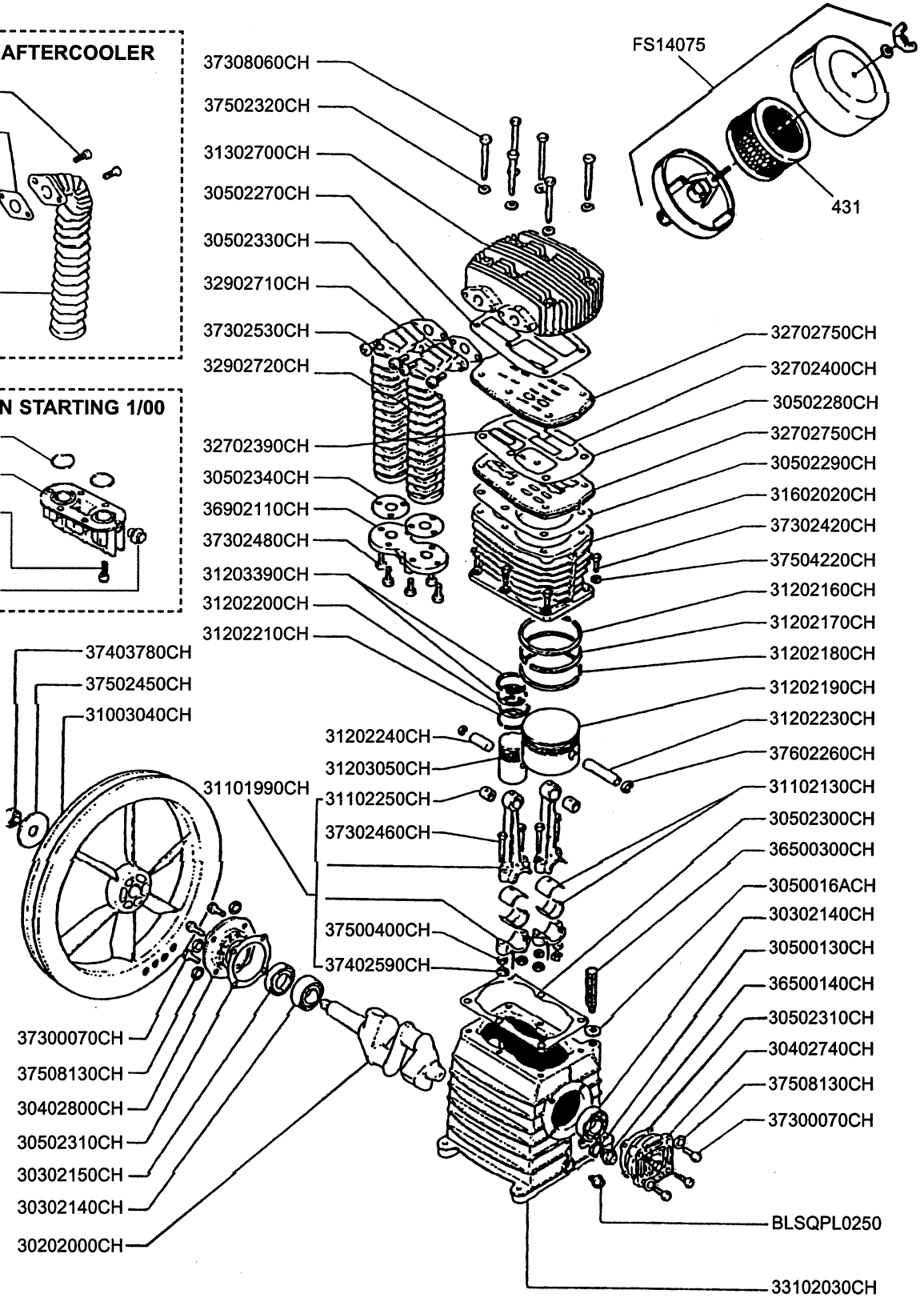
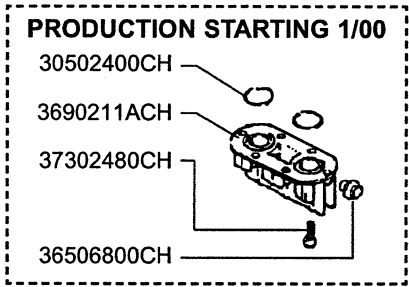
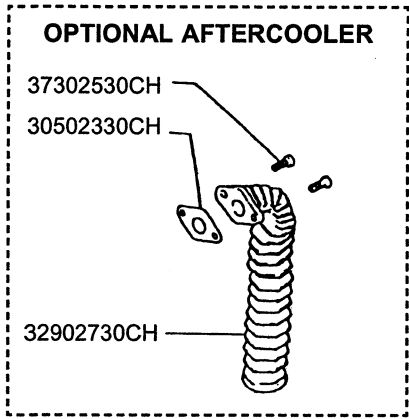
Sales Fax: 920.349.3691 Service Fax: 920.349.8861

www.rolair.net

**PARTS LIST FOR
11GR30 SERIES**

Schematic #	Description	Part #	Qty.
1	Engine 11 HP Honda GX340 11 HP Kohler CH11S 11 HP Briggs 254427	ENG11HO1 ENG11KOC1 ENG11BR1	1 1 1
2	Pulley	PU2AK64H	1
3	Bushing	HX1000	1
4	Belt	BTA70	2
5	Belt Guard	BG130	1
6	5/16" x 1 1/4" Bolt	MIS10023	2
7	5/16" Flat Washer	MIS10106	2
8	5/16" Lock Washer	MIS10098	2
9	5/16" Nut	MIS10020	2
10	Spinlock Bolt	MIS10094	5
11	5/16" x 1 1/4" Bolt	MIS10023	1
12	5/16" Flat Washer	MIS10106	1
13	Nut, Flywheel	37403780CH	1
14	Washer, Flywheel	37502450CH	1
15	Flywheel	31003040CH	1
16	II-Stage Pump w/Flywheel	PMP22K30CH	1
17	II-Stage Pump less Flywheel 3/4" x 90° Street Elbow	PMP22K30CHLF BLEL0750X90S	1 1
18	Element, Intake	431	1
19	Washer	FSWASHER	1
20	Wingnut	FSNUT	1
21	Intake Filter Assembly	FS14075	1
22	3/4" x 45° Street Elbow	BLEL0750X45S	1
23	3/8" Breather/Oil Fill Plug with "O" Ring	36507050CH	1
24	3/8" x 2" Bolt	MIS10045	4
25	3/8" Flat Washer	MIS10103	4
26	3/4" Braided Discharge Tube	145C	1
27	3/4" x 1/2" Bushing	BLBS0750X0500	1
28	1/2" x 3/4" Brass Straight Flare	BRST0500X0750FL	1
29	3' - 1/4" Nylon Tubing 1/4" Brass Nut 1/4" Brass Ring 1/4" Brass Sleeve	178D BRNT0250 BRRG0250 BRSL0250	3' 2 2 2
30	Brass Elbow	BREL0250X012539	1
31	Check Valve	CV4X4L1	1
32	1/2" x 1 1/2" Nipple	BLNP0500X1500	1
33	1/2" X 90° Street Elbow	BLEL0500X90S	1
34	Tank Assembly	TNK030AH	1
35	Battery Tray	BT5250X8250	1
36	1/2" Shut-Off Valve	SOV0500	1
37	1/2" x 2" Nipple	BLNP0500X2000	1
38	Belt Tightener Kit	SBT11HP-ANGLE	1
39	3/8" Flat Washer	MIS10103	4
40	3/8" Lock Washer	MIS10100	4
41	3/8" Nut	MIS10040	4
42	1/4" X 4" Nipple	BLNP0250X4000	1
43	1/4" Cross	BLCR0250	1
44	Safety Relief Valve	SRV0250A200	1
45	Pilot Unloader Valve	131B	1
46	Brass Elbow	BREL0250X0125H16	1
47	1/4" - 300 PSI Gauge	GA0250300	1
48	1/4" x 5" Nipple	BLNP0250X5000	1
49	1/4" Black Cap	BLCA0250	1
50	3/8" Lock Washer	MIS10100	4
51	3/8" Nut	MIS10040	4
52	5/16" x 7/8" Bolt	MIS10022	4
53	5/16" Lock Washer	MIS10098	4
54	5/16" Flat Washer	MIS10106	4
55	5/16" Lock Washer	MIS10098	4
56	5/16" Nut	MIS10020	4
57	Vibration Dampening Kit	VIBBR11GR	1
58	Idle Control Kit - Honda GX340 Kohler CH11S Briggs 254427	207GX340&390K1QAE 207CH11&CH14S 207BR11HP	1 1 1
59	3/8" x 1" Bolt	MIS10041	1
60	3/8" Lock Washer	MIS10100	1

SCHEMATIC FOR PMP22K30





Associate Engineering Corporation

606 S. Lake Street P.O. Box 346
 Hustisford, Wisconsin 53034-0346
 Phone: 920-349-3281
 Sales Fax: 920.349.3691 Service Fax: 920.349.8861
 www.rolair.net

PARTS LIST FOR PMP22K30

Description	Part #	Qty.
Crankshaft	30202000CH	1
Ball Bearing	30302140CH	2
Oil Seal	30302150CH	1
Bearing Carrier	30402740CH	1
Bearing Carrier	30402800CH	1
Gasket	30500130CH	1
3/8" Hole Gasket	3050016ACH	1
Gasket	30502270CH	1
Gasket	30502280CH	1
Gasket	30502290CH	1
Gasket	30502300CH	1
Gasket	30502310CH	2
Gasket	30502330CH	2
Gasket	30502340CH	2
Flywheel	31003040CH	1
Connecting Rod w/ upper bushing	31101990CH	2
Bearing Shell	31102130CH	2
Bushing*	31102250CH	2
Compression Ring LP	31202160CH	1
Stepped Scraper Ring LP	31202170CH	1
Slotted Oil Ring LP	31202180CH	1
Piston LP	31202190CH	1
Stepped Scraper Ring HP	31202200CH	1
Slotted Oil Ring HP	31202210CH	1
Piston Pin LP	31202230CH	1
Piston Pin HP	31202240CH	1
Piston HP	31203050CH	1
Compression Ring HP	31203390CH	2
Cylinder Head	31302700CH	1
Cylinder	31602020CH	1
Reed Valve HP	32702390CH	2
Reed Valve LP	32702400CH	4
Valve Plate	32702750CH	2
Left Intercooler	32902710CH	1
Right Intercooler	32902720CH	1
Crankcase	33102030CH	1
Oil Sight Gauge	36500140CH	1
3/8" Breather/Oil Fill Plug	36500300CH	1
Intercooler Connector	36902110CH	1
Bolt	37300070CH	8
Bolt	37302420CH	6
Connecting Rod Bolt	37302460CH	4
Bolt	37302480CH	6
Bolt	37302530CH	4
Head Bolt	37308060CH	6
Nut	37402590CH	4
Nut	37403780CH	1
Washer	37508130CH	8
Nut	37500400CH	4
Washer	37502320CH	6
Washer	37502450CH	1
Washer	37504220CH	6
Snap Ring	37602260CH	4
Filter Element	431	1
1/4" Square Head Plug	BLSQPL0250	1
Filter Assembly	FS14075	1
Ring Set	K30RINGS	1
Gasket Set	K30GASKETS	1
Valve Plate Assembly	3000VK30	1
OPTIONS — Gasket	30502330CH	1
Aftercooler	32902730CH	1
Bolt	37302530CH	2
INTERCOOLER CONNECTOR STARTING 1/00		
"O" Ring – Intercooler/Connector	30502400CH	2
Plug	36506800CH	1
Intercooler Connector	3690211ACH	1
Bolt	37302480CH	6

*Bushing is not machined to fit piston pin if ordered separate from connecting rod.