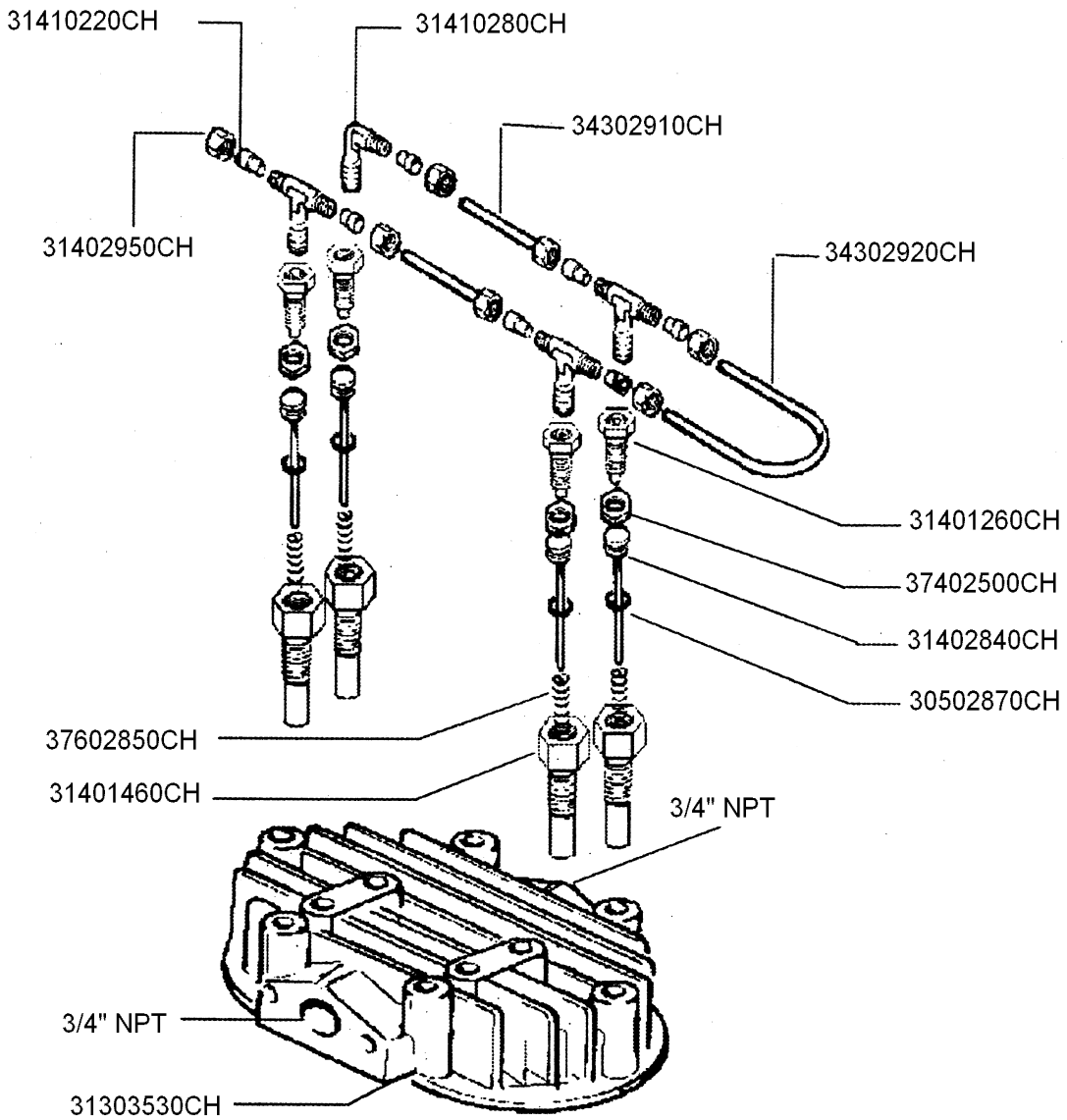
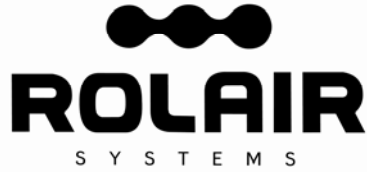


SCHEMATIC FOR  
PMP12K35HU





**ROLAIR SYSTEMS**

606 S. Lake Street, P.O. Box 346  
 Hustisford Wisconsin 53034-0346  
 Phone: 920-349-3281  
 Sales Fax: 920.349.3691  
 Service Fax: 920.349.8861  
[www.rolair.com](http://www.rolair.com)

**PARTS LIST FOR PMP12K35HU**

<b>Description</b>	<b>Part #</b>	<b>Qty.</b>
O-Ring	30502870CH	4
Cylinder Head	31303530CH	1
Reducer Sleeve	31401260CH	4
Reducer Sleeve	31401460CH	4
Unloading Piston	31402840CH	4
Compression Nut	31402950CH	7
T-Connector w/Fittings	31410220CH	3
L-Connector w/Fittings	31410280CH	1
Pipe Connector	34302910CH	2
Pipe Connector	34302920CH	1
Nut	37402500CH	4
Spring	37602850CH	4
<b>OPTIONAL: Complete Head Assembly with Unloader Parts Installed</b>	31449360CH	1

**Reference PMP12K35 schematic for all other components.**