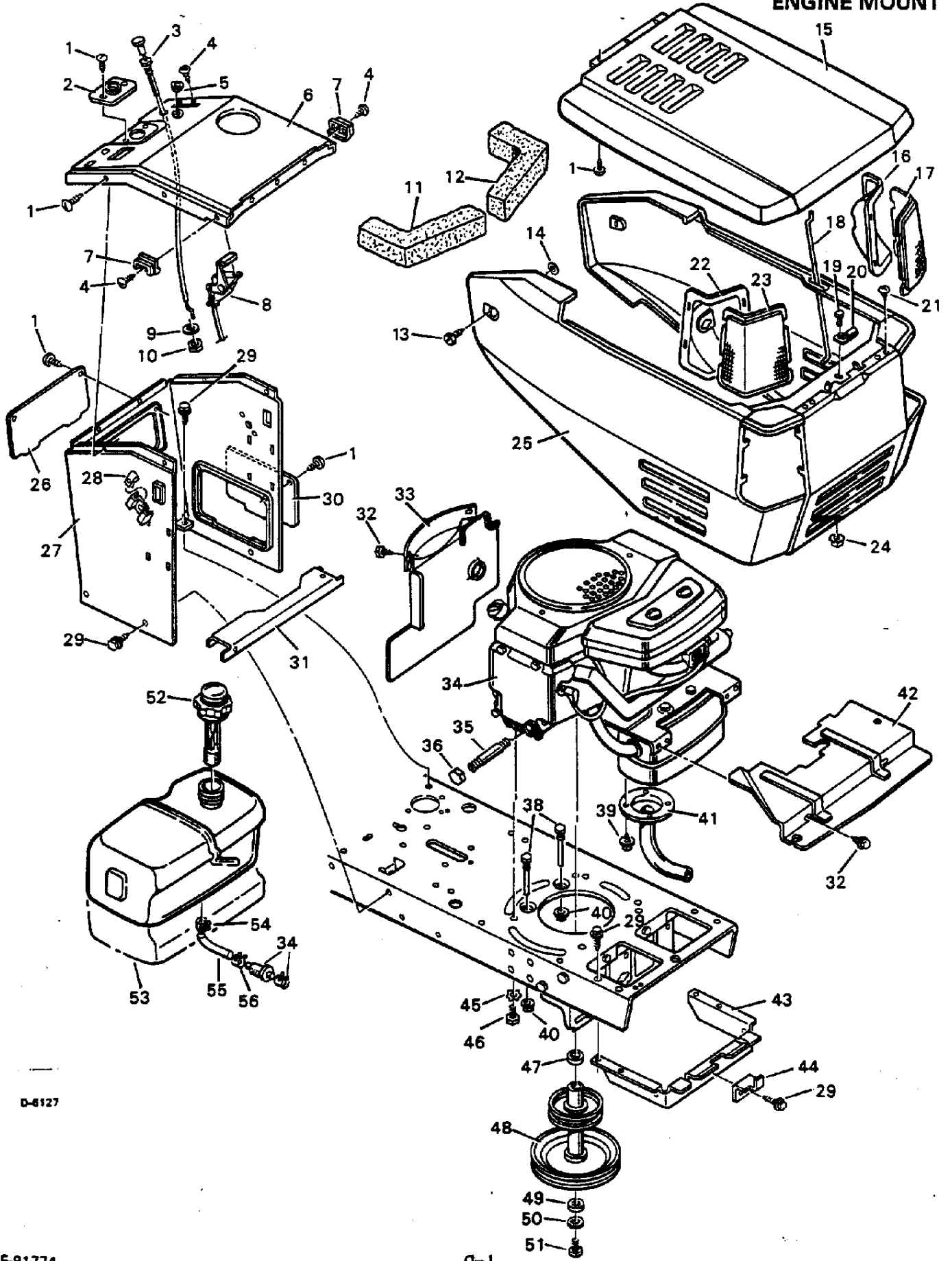


MODEL NO. 46100A

FRONT BODY and  
ENGINE MOUNT



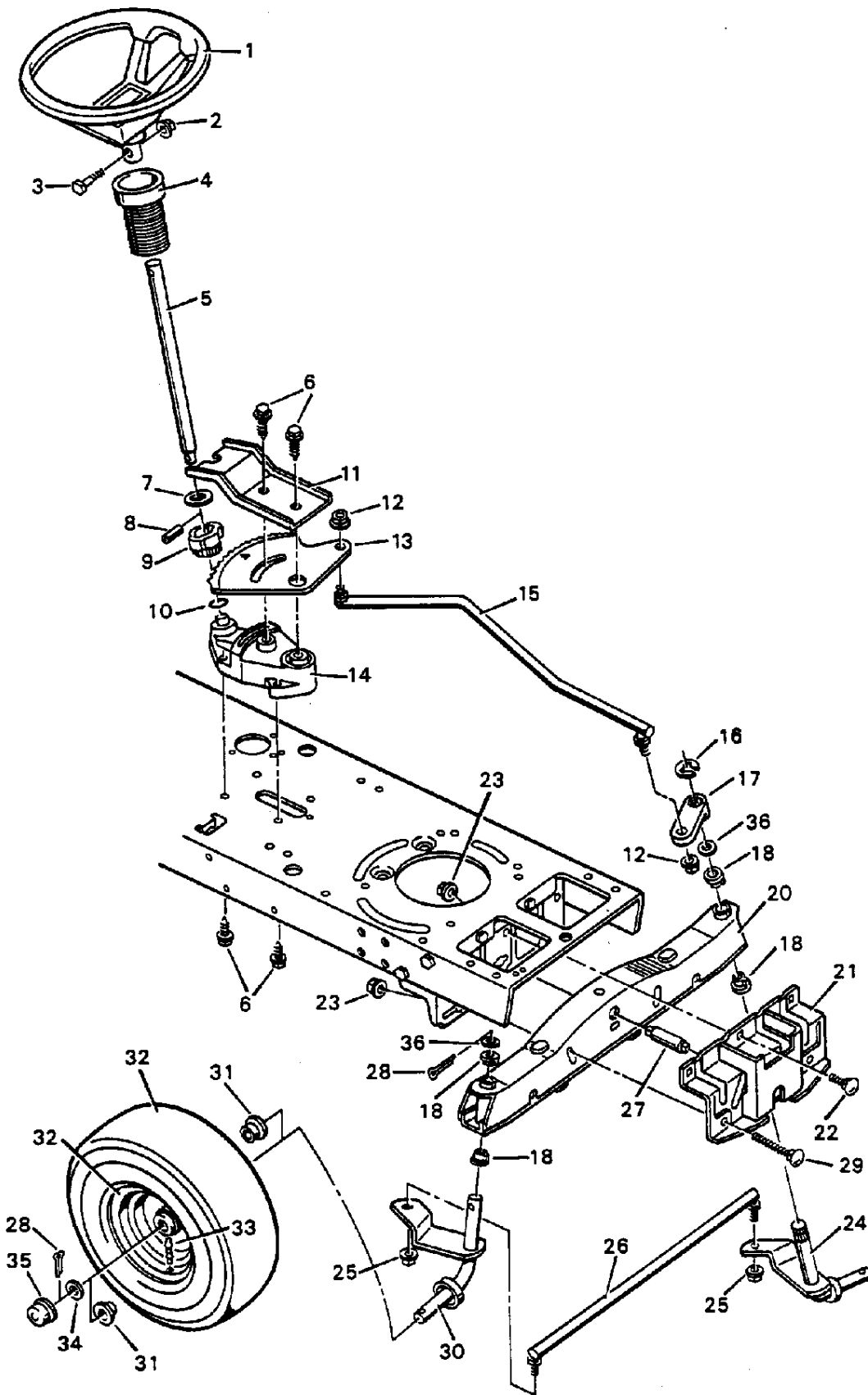
D-6127

F-91774

G-1

M4A (6/20)

D-6128



**MODEL NO. 46100A**

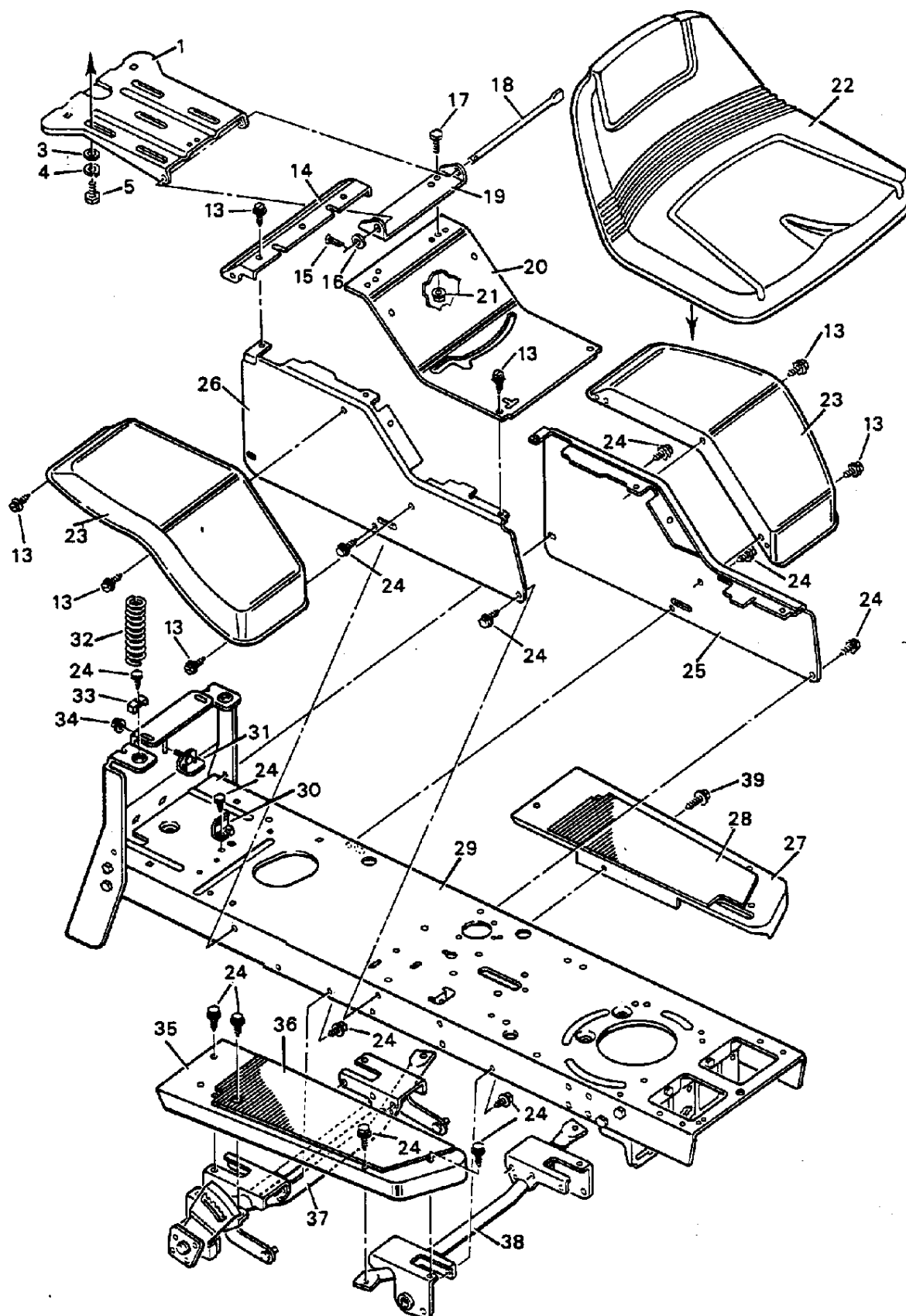
**FRONT BODY and  
ENGINE MOUNT**

KEY NO.	DESCRIPTION	PART NO.	KEY NO.	DESCRIPTION	PART NO.
1	Screw	26x250	31	Support, Fuel Tank (Incl'd with Key 27)	91329E700
2	Bearing, Steering Post	93066	32	Screw	25x2
3	Cable, Choke	91326	33	Baffle, Rear Heat	93078E700
4	Screw	26x201	34	Engine * Briggs	422707-1236-01
5	Bushing	55717	35	Oil Drain Extension	23783
6	Dash Panel Assembly	93036E700	36	Oil Drain Cap	21851
7	Spacer	91599	38	Guide, Belt	92151
8	Throttle Control	91992	39	Screw	26x203
9	Lockwasher	18x31	40	Locknut, Flange	15x88
10	Nut, Hex	15x33	41	Pipe, Exhaust	23743E700
11	Baffle, Foam	91487	42	Baffle, Front Heat	92237E700
12	Baffle, Foam	91486	43	Extension, Frame	92023E700
13	Screw	91330	44	Clip, Locator	92009Z
14	Retainer	90815	45	Lockwasher	19x8
15	Hood Assembly	70019E245	46	Bolt, Hex	25x7
16	Reflector, Left Headlamp	92021Z	47	Spacer, Engine	93077
17	Lens, Left Headlamp	91319	48	Pulley Assembly, Stack	92249Z
18	Rod, Hood Stop	91370Z	49	Washer	17x170
19	Bolt, Hex	6x91	50	Lockwasher	19x35
20	Spring, Hood Latch	91322	51	Bolt, Hex	1x140
21	Bumper	91323	52	Cap, Fuel Tank	91349
22	Reflector, Right Headlamp	92149Z	53	Fuel Tank, Complete	91355
23	Lens, Right Headlamp	91318	54	Clamp, Hose (Incl'd with Key 53)	91174
24	Nut, Keps	15x66	55	Fuel Line (Incl'd with Key 53)	90871
25	Grille Assembly	92125E245	56	Clamp, Hose	23713
26	Panel, Rear Access (Incl'd with Key 27)	91419E700		Parts Bag	93118
27	Console Assembly	93040E700		Inst. Man.	F-91774
28	Receptacle	28x52		Parts List	F-91773
29	Screw	26x249			
30	Panel, Side Access	93007E700			

**DECALS**

44X108	DECAL	- HGT. ADJ. - LIFTER LEVER
44X735	DECAL	- NO STEP - LH PULLEY COVER
44X1896	DECAL	- MURRAY - 181C/46 - RH HOOD
44X1897	DECAL	- MURRAY - 181C/56 - LH HOOD
44X99	DECAL	- FUEL FILL - DASH PANEL
44X1726	DECAL	- OPERATING INST. - RH FINDER
44X1898	DECAL	- MURRAY - FRY. GRILLE
44X1899	DECAL	- SHIFT PATTERN - BEHIND SHIFTER
44X516	DECAL	- CLUTCH/BRAKE - LH RUNNING BOARD
44X2033	DECAL	- THROTTLE - DASH PANEL
44X2034	DECAL	- LIGHTS - DASH PANEL
44X2035	DECAL	- BLADE CONTROL - DASH PANEL
438618	DECAL	- CUT FINDER - HOUSING
44X186	DECAL	- PARKING BRAKE - RH CONSOLE
288827	PLAQUE	- MURRAY - LOGO - LARGE

\* The Engine Model, Type, and Code Numbers are on the engine. All parts to the engine are available from a Briggs & Stratton Authorized Service Center. See "Engines, Gasoline" or "Gasoline Engines" in the yellow pages of the telephone directory.



D-6126

F-91774

G-3

M4A

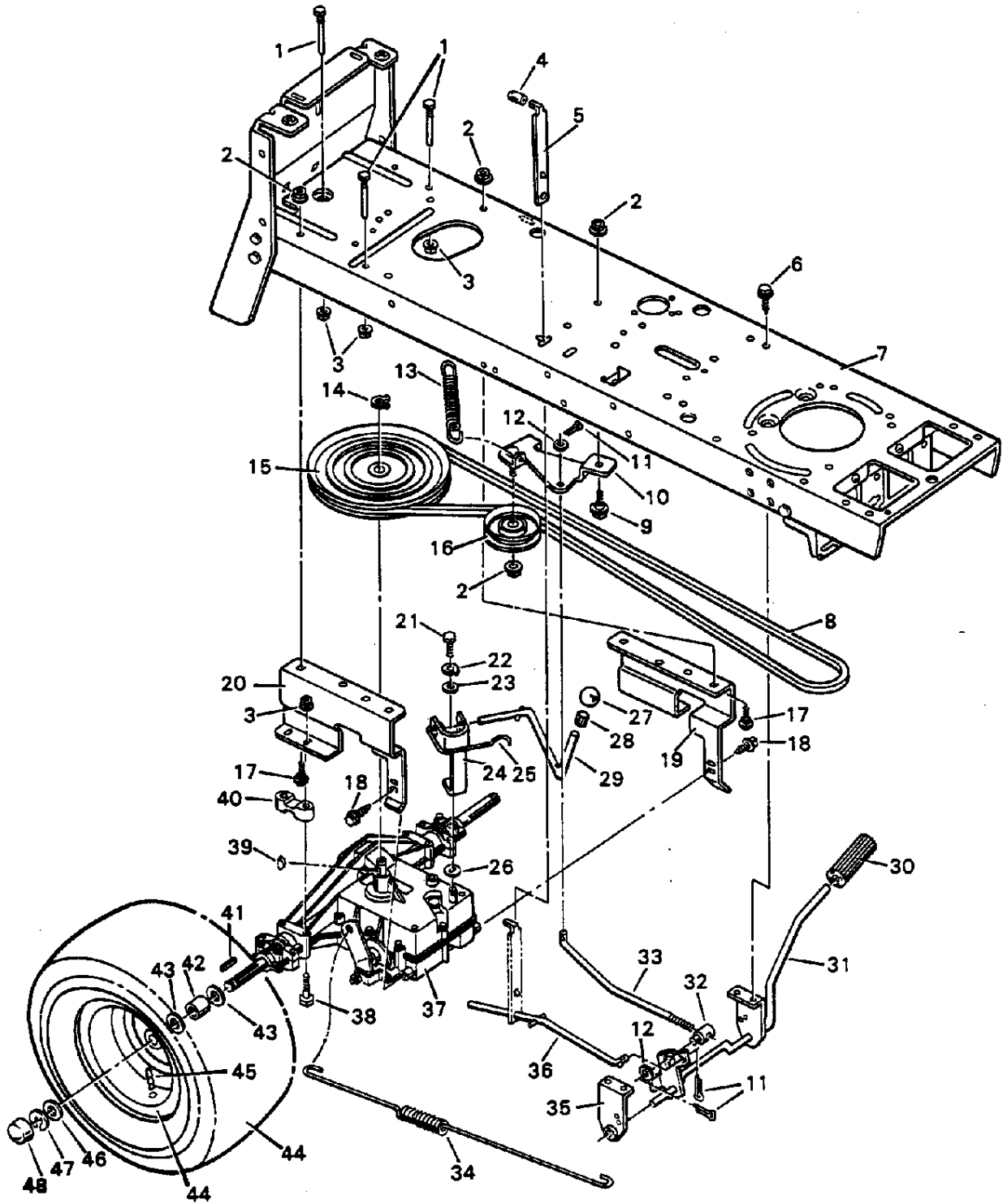
KEY NO. DESCRIPTION	PART NO.
1 Support, Seat	93093E700
3 Washer	17x47
4 Lockwasher	18x16
5 Bolt, Hex	1x45
13 Screw	26x214
14 Insert, Rear	93043E700
15 Cotter Pin	30x20
16 Washer	17x52
17 Bolt, Hex	1x91
18 Rod, Seat Pivot	93083Z
19 Bracket, Seat Pivot	93084E700
20 Panel, Top	93021E700
21 Locknut, Flange	15x88
22 Seat	93103
23 Fender	23006E245
24 Screw	26x249
25 Panel, Left Side	93023E700
26 Panel, Right Side	93022E700
27 Running Board, Left	93011E245
28 Mat, Left Running Board	93071
29 Frame Channel	403338
30 Clip, Battery	55149E700
31 Clamp, Battery	91325Z
32 Spring, Seat	164x17
33 Retainer, Spring	90014
34 Locknut	15x76
35 Running Board, Right	93010E245
36 Mat, Right Running Board	93070
37 Lifter and Support Assembly	93114E700
38 Support Assembly, Front	93013E700
39 Fastener, Panel	193x1

KEY NO.	DESCRIPTION	PART NO.
1	Wheel, Steering	92076
2	Nut, Hex	15x90
3	Bolt, Hex	1x66
4	Bellows, Steering Post	91298
5	Post Ass'y., Steering (Incl'd Key 7 & 8)	93039
6	Screw	26x249
7	Washer (Incl'd with Key 5)	17x177
8	Pin, Spring (Incl'd with Key 5)	32x77
9	Gear Assembly, Pinion (Incl'd Key 10)	93037
10	O-Ring (Incl'd with Key 9)	93068
11	Clip, Gear Retainer	93081E700
12	Locknut, Flange	15x112
13	Gear, Sector	93062E700
14	Support, Steering	93038
15	Link, Drag	93061E700
16	E-Ring	11x22
17	Arm, Drag Link	93059E700
18	Bearing	93058
20	Axle Assembly	93025E700
21	Hanger Assembly, Axle	93080E700
22	Bolt, Carriage	2x56
23	Locknut, Flange	15x84
24	Spindle Assembly, Left	93031E700
25	Locknut, Flange	15x87
26	Rod, Tie	93060E700
27	Pin, Axle Pivot	21469W
28	Pin, Cotter	30x49
29	Bolt, Carriage	2x60
30	Spindle Assembly, Right	93030E700
31	Bearing, Wheel (Incl'd with Key 32)	93064
32	Wheel & Tire Assembly	93090-601
-	Tire (Incl'd with Key 32)*	24380
-	Tube (Incl'd with Key 32)	407047
33	Stem, Valve (Incl'd with Key 32)	24373
34	Washer	17x114
35	Hub Cap (Optional)	24582
36	Shim **	17x75

\*When you order a tire, make sure to give the brand name of the tire so that the tread pattern on the tire will match.

\*\* Your model will use from zero to two (2) shims per spindle.

D-6134

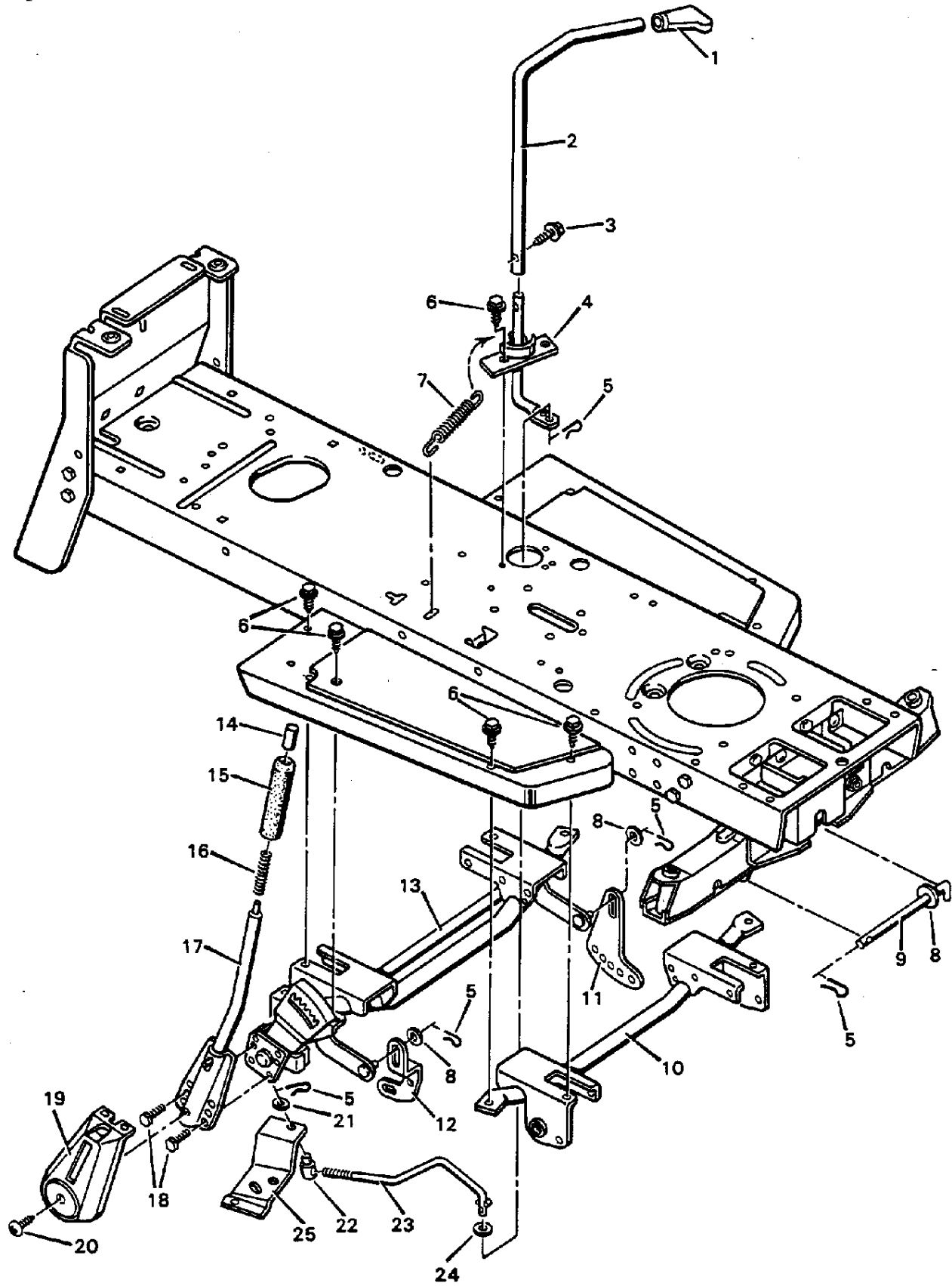


KEY NO.	DESCRIPTION	PART NO.
1	Guide, Belt	92151
2	Locknut, Flange	15x84
3	Locknut, Flange	15x88
4	Grip	91079
5	Lever, Park Brake	93044E700
6	Screw	26x249
7	Frame	403338
8	Belt, Motion Drive	37x68
9	Bolt, Shoulder	9x39
10	Bracket Assembly, Idler	93033Z
11	Pin, Cotter	30x20
12	Washer	17x52
13	Spring, Extension -Drive	165x87
14	Ring, Retainer	11x7
15	Pulley, Motion Drive	75073
16	Pulley, Idler -Backside	23339
17	Bolt, Carriage	2x78
18	Screw	26x207
19	Bracket, Transaxle -Left	93003E700
20	Bracket, Transaxle -Right	93002E700
21	Bolt, Hex	1x82
22	Lockwasher	18x32
23	Washer	17x38Z
24	Yoke, Shift Lever	93019Z
25	Spring	166x35
26	Washer	17x148
27	Knob, Shift Lever	91995
28	Ring, Tolerance	92008
29	Lever, Shift	93020Z
30	Clutch and Brake Pedal	21544
31	Lever Assembly, Pedal	93082E700
32	Nut, Adjustable	21920
33	Rod, Clutch	93029Z
34	Spring, Extension -Brake	165x82
35	Bracket, Pedal Support	91713E700
36	Rod, Brake Latch	93054
37	Transaxle, Peerless Model 801-061 **	---
38	Bolt, Hex	1x118
39	Key, Woodruff No. 9	20697
40	Spacer, Transaxle	93116
41	Key, Square	21553
42	Spacer, Axle	87x99Z
43	Washer	17x160
44	Wheel & Tire Assembly	24429-601
--	Tire Only (Incl'd with Key 44) *	24430
--	Tube (Incl'd with Key 44)	407047
45	Valve Stem and Cap (Incl'd with key 44)	24373
46	Washer	17x115
47	E-Ring	11x3
48	Cap, Hub (Optional)	24582

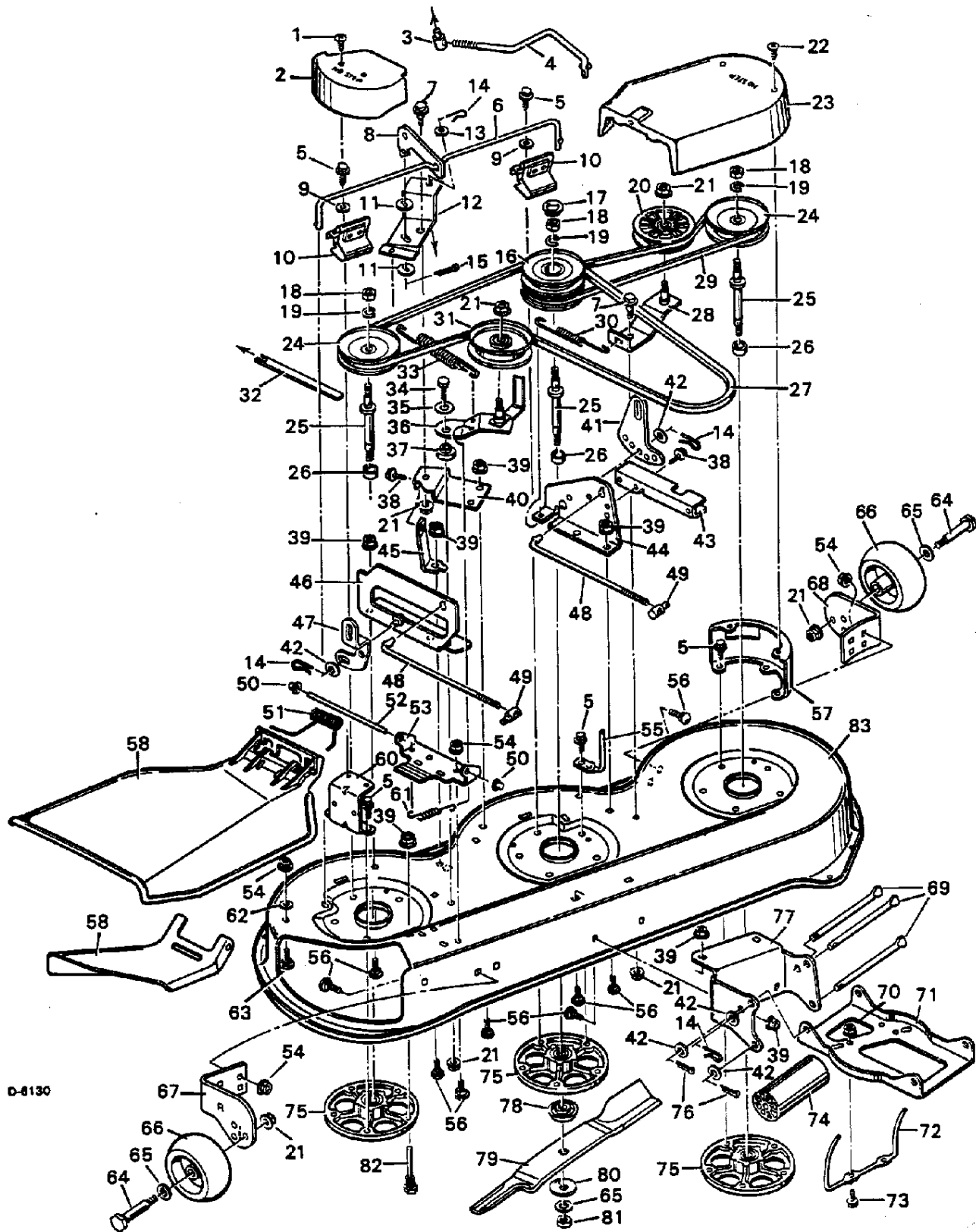
\* When you order a tire, make sure to give the brand name of the tire so that the tread pattern on the tire will match.

\*\* Parts for the transaxle are available from a Tecumseh Authorized Service Center. See "Engines, Gasoline" or "Gasoline Engines" in the yellow pages of the telephone directory.

D-6129



KEY NO.	DESCRIPTION	PART NO.
1	Grip	55449
2	Lever, Blade Control	93092Z
3	Bolt, Hex	25x3
4	Control Assembly, Blade	93051E700
5	Pin, Hair	31x4
6	Screw	26x249
7	Spring, Extension	165x92
8	Washer	17x103
9	Pin, Pull	90827Z
10	Support Assembly, Front	93013E700
11	Plate, Adjuster	91741E700
12	Link, Suspension	92110E700
13	Support Assembly, Lifter and	93114E700
14	Knob, Steel	91261
15	Grip	91398
16	Spring, Compression	164x21
17	Handle Assembly	91823E700
18	Screw	26x49
19	Cover, Lift Lever (Optional)	92157
20	Screw	26x238
21	Washer	17x124
22	Nut, Adjusting	21920
23	Rod, Blade Control	93094Z
24	Washer	17x47Z
25	Bracket, Pivot	93052E700



D-8130

**MODEL NO. 46100A**

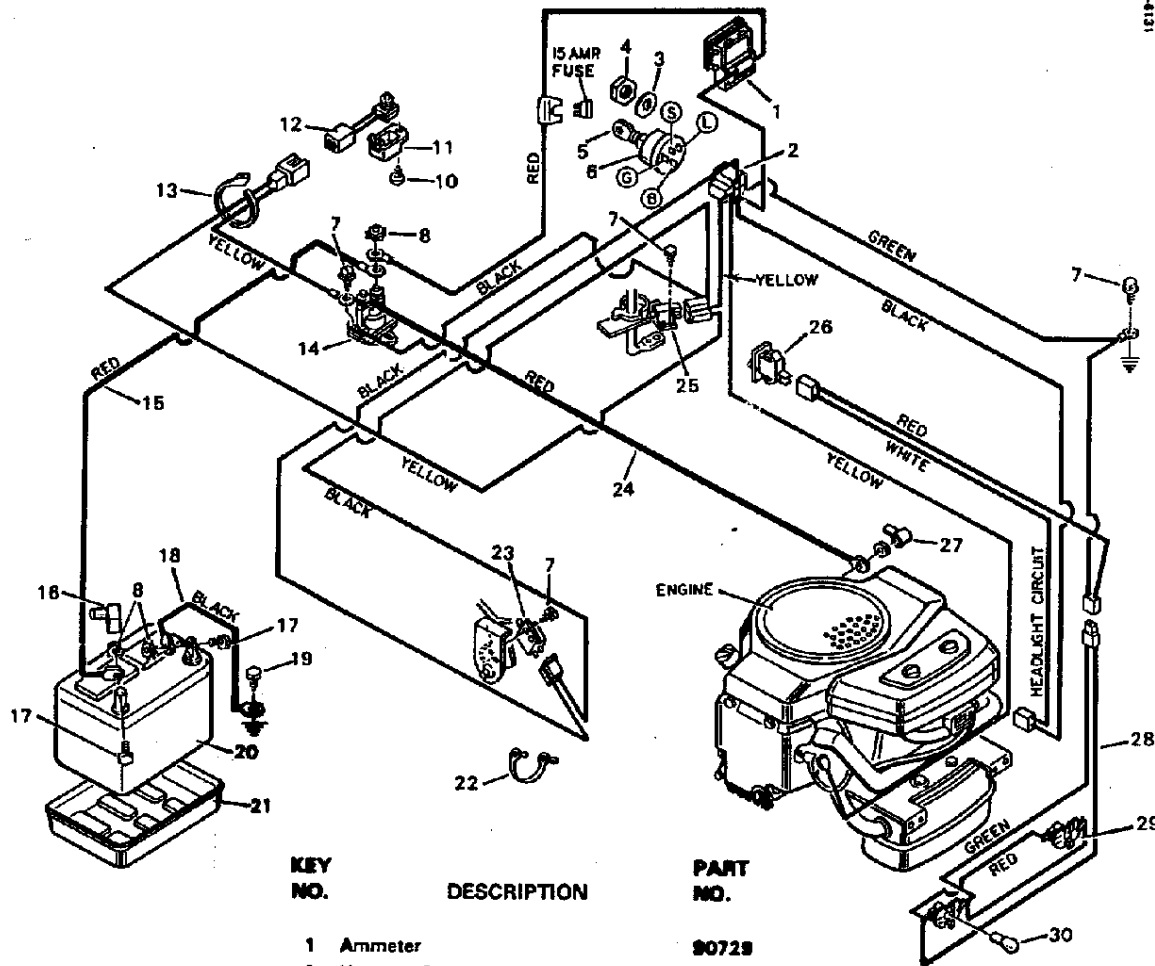
**REPAIR PARTS  
MOWER HOUSING**

KEY NO.	DESCRIPTION	PART NO.	KEY NO.	DESCRIPTION	PART NO.
1	Screw	26x250	43	Channel, Left Cover	92138E700
2	Cover, Pulley	92145	44	Bracket Assembly, Lifter	92109E700
3	Nut, Adjuster	21920	45	Strut, Pivot	92158E700
4	Rod, Blade Control	93094Z	46	Bracket Assembly, Lifter	93088E700
5	Screw	25x6	47	Link, Suspension	92110E700
6	Rod, Brake	92129Z	48	Rod, Adjuster	92134Z
7	Bolt, Shoulder	9x39	49	Nut, Adjuster	92132
8	Link, Brake	92130Z	50	Push-On Cap	28x23
9	Washer	10851Z	51	Spring, Torsion	166x34
10	Spring Assembly, Brake	92148	52	Rod, Deflector	92159Z
11	Washer	17x171Z	53	Bracket, Hinge	92104E700
12	Bracket, Pivot	93052E700	54	Locknut	15x88
13	Washer	17x124	55	Guide, Belt	92116Z
14	Pin, Hair	31x4	56	Bolt, Carriage	2x53
15	Pin, Cotter	30x33	57	Bracket, Left Cover	92139E700
16	Pulley, Stack	92128	58	Deflector	92100
17	Plug	92169	59	Deflector, Inside	92103E700
18	Nut, Hex	15x101	60	Bracket, Cover	92140E700
19	Lockwasher	18x33	61	Spring, Extension	165x86
20	Pulley, Idler	91590	62	Washer	17x57
21	Locknut	15x84	63	Bolt, Carriage	2x73
22	Screw	26x258	64	Bolt, Shoulder	9x23
23	Cover, Left Pulley	92154	65	Washer	17x165
24	Pulley	92127	66	Gauge Wheel	92265
25	Jackshaft	91921	67	Bracket, Right Gauge Wheel	92259E700
26	Spacer, Bearing	91925	68	Bracket, Left Gauge Wheel	92258E700
27	Belt, Primary Mower Drive	37x69	69	Rod, Hanger	91739Z
28	Bracket, Idler	92112E700	70	Locknut	15x82
29	Belt, Secondary Drive	37x66	71	Hanger, Front	92119E700
30	Spring, Extension	165x79	72	Guide, Belt	92150E700
31	Pulley, Idler	91801	73	Screw	25x4
32	Indicator, Plastic	92163	74	Roller	92137
33	Spring, Extension	165x80	75	Housing, Jackshaft	90905
34	Bolt, Hex	1x111	76	Pin, Cotter	30x49
35	Washer	17x168Z	77	Bracket, Front Hanger	93087E700
36	Bracket, Idler	92220E700	78	Adapter, Blade	91926
37	Bushing	92180	79	Blade (3 required)	92117E700
38	Screw	26x249	80	Washer, Belleville	17x166
39	Nut, Hex	15x79	81	Nut, Hex	15x100
40	Support, Pivot	92115E700	82	Guide, Belt	92151
41	Plate, Adjuster	91741E700	1-83	Mower Housing, Complete	40333Z
42	Washer	17x103			

**MODEL NO. 46100A**

**REPAIR PARTS  
WIRING**

9-113



KEY NO.	DESCRIPTION	PART NO.
1	Ammeter	90729
2	Harness, Chassis Wire	250x39
—	Fuse, Replacement	54212
—	Holder, Fuse Replacement	407078
3	Lockwasher	18x40
4	Nut, Hex	18x106
5	Key & Ring, Ignition	20729
6	Switch, Ignition	21084
7	Screw	26x233
8	Locknut	18x88
10	Screw	26x188
11	Cover, Seat Sensor	58062
12	Switch, Seat Sensor	91031
13	Strap, Tie	32618
14	Solenoid	24286
15	Cable, Red Battery	24x12
16	Cover, Battery Terminal (Optional)	54148
17	Bolt, Hex	1x38
18	Cable, Battery Ground	24x9
19	Screw	26x249
20	Battery (Type U1-L9)	21075
—	Acid, Battery (Electrolyte)	90885
21	Tray, Battery	91885
23	Switch, Clutch	24273
24	Cable, Red	24x13
25	Switch, PTO	91299
26	Switch, Light	90647
27	Cover, Red Cable	24196
28	Harness, Light Wire	250x40
29	Socket, Light	91890
30	Bulb, Light	90084