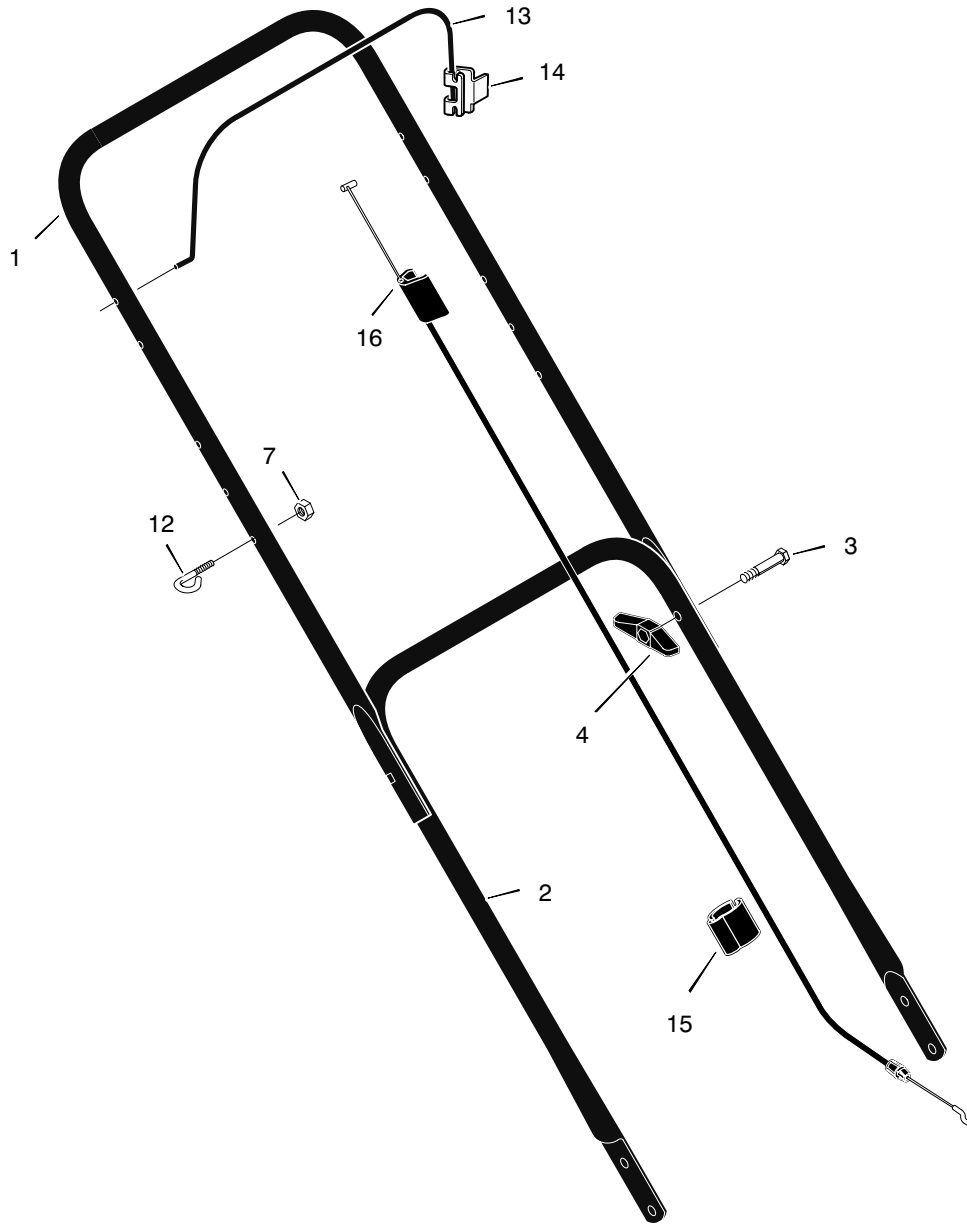


KEY NO.	DESCRIPTION	PART NO.
1	Engine ‡	_____
2	Housing	776024
3	Height Adjuster, Left Rear	672645
4	Knob	071495
5	Wheel and Tire –Front	1101681
5	Wheel and Tire –Rear	071841
6	Locknut, Flange	015x84
7	Bolt, Carriage	002x81
9	Bolt, Engine	0025x6
10	Nut	015x68
11	Height Adjuster, Left Front	672601
12	Washer, Belleville	17x137
13	Washer	17x124
14	Bolt, Hex	01x142
15	Blade	1101120E701
16	Adapter, Blade	071056
17	Height Adjuster, Right Front	672600
18	Height Adjuster, Right Rear	672644
19	Guard, Rear	672738
20	Screw	26x245
21	Deflector, Chute	672421
22	Push–On Cap	028x42
23	Pin, Pivot	215x11 Z
24	Spring	0166x5
25	Baffle	672744E701
26	Plate, Mulcher	672422 Z
27	Bracket, Left Handle	1101305E245
29	Bracket, Right Handle	1101304E245
30	Brace	672728E701
31	Screw	26x263
32	Washer	017x91 Z
33	Knob, Axle	672449
34	Bolt	001x85
–	Book, Instruction	F–040401L

‡ For information on Replacement Parts for this transaxle contact the manufacturer.



KEY NO.	DESCRIPTION	PART NO.
1	Handle, Upper (Black)	1101556E701
2	Handle, Lower (Black)	071137E701
3	Bolt	002x77
4	Knob, Plastic	071294
7	Locknut	15x116
12	Guide, Rope	071530
13	Engine Stop Lever	043653E701
14	Bracket, Stop Lever	1101454
15	Fastener, Cable	1101353
16	Engine Stop Cable	1101181