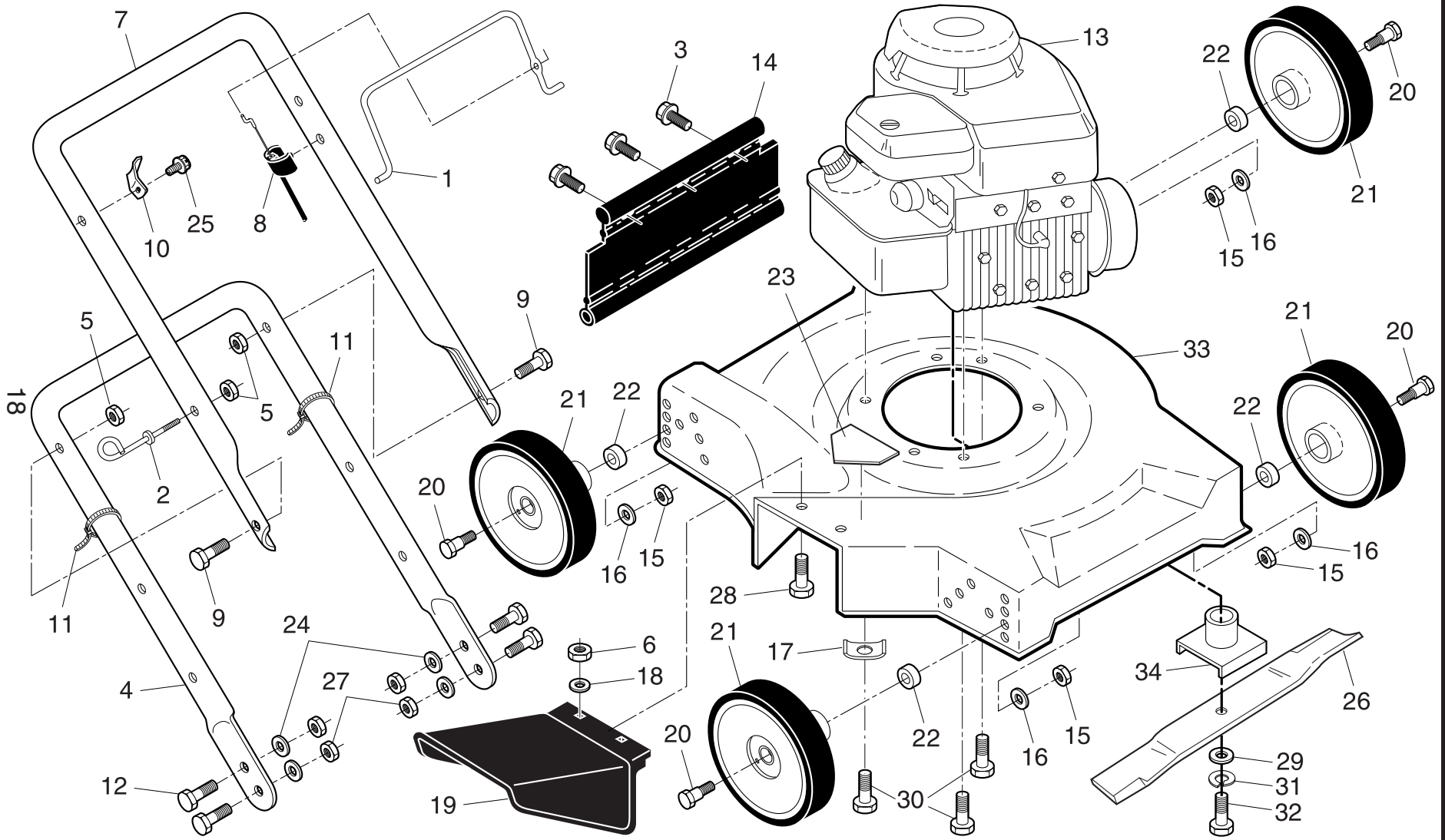


ROTARY LAWN MOWER -- MODEL NUMBER 20112X92E (20112X92E0, 20112X92E1)



REPAIR PARTS

ROTARY LAWN MOWER - - MODEL NUMBER **20112X92E** (20112X92E0, 20112X92E1)

19

KEY PART NO. NO.	DESCRIPTION	KEY PART NO. NO.	DESCRIPTION
1 194177X428	Control Bar	18 53847	Washer, Flat
2 179585	Rope Guide	19 752052	Discharge Guard
3 189241	Screw, Hex Washer Head, Self-Tapping #10-24 x 1/2	20 67609	Bolt, Shoulder 3/8-16 x 2-1/2
4 172146X479	Lower Handle	21 193850X427	Wheel & Tire Assembly, Model 20112X92E0
5 132004	Nut, Hex 1/4-20	800060	Wheel & Tire Assembly, Model 20112X92E1
6 73800400	Locknut, Hex 1/4-20	22 136624	Spacer
7 194217X479	Upper Handle	23 85463	Danger Decal
8 162778	Cable, Engine Zone Control	24 55611	Washer
9 74350424	Bolt, Hex Head 1/4-20 x 1-1/2	25 750634	Screw, Threaded, Rolled #10-24 x 1/2
10 86899X004	Up-Stop Bracket	26 145106	Blade, 20"
11 66426	Wire Tie	27 132010	Nut, Hex, Flangelock 3/8-16
12 137009	Bolt, Hex Head 3/8-16 x 1	28 74760412	Bolt, Hex Head 1/4-20 x 3/4
13 - - -	Engine, Briggs & Stratton, Model Number 9J902 (For engine service and replacement parts, call Briggs & Stratton at 1-800-233-3723)	29 851074	Washer, Hardened
14 189239	Rear Skirt	30 150406	Screw, Hex Head, Threaded, Rolled 3/8-16 x 1
15 751592	Nut, Hex, Nylock 3/8-16	31 850263	Helical Lock Washer
16 61537	Washer	32 851084	Screw, Hex Head, Machine, Grade 8, 3/8-24 x 1-3/8
17 851201X004	Engine Washer	33 189625	Housing Kit
		34 850977	Blade Adapter
		- - 161058	Decal, Warning
		- - 198933	Owner's Manual

NOTE: All component dimensions given in U.S. inches. 1 inch = 25.4 mm. **IMPORTANT:** Use only Original Equipment Manufacturer (O.E.M.) replacement parts. Failure to do so could be hazardous, damage your lawn mower and void your warranty.