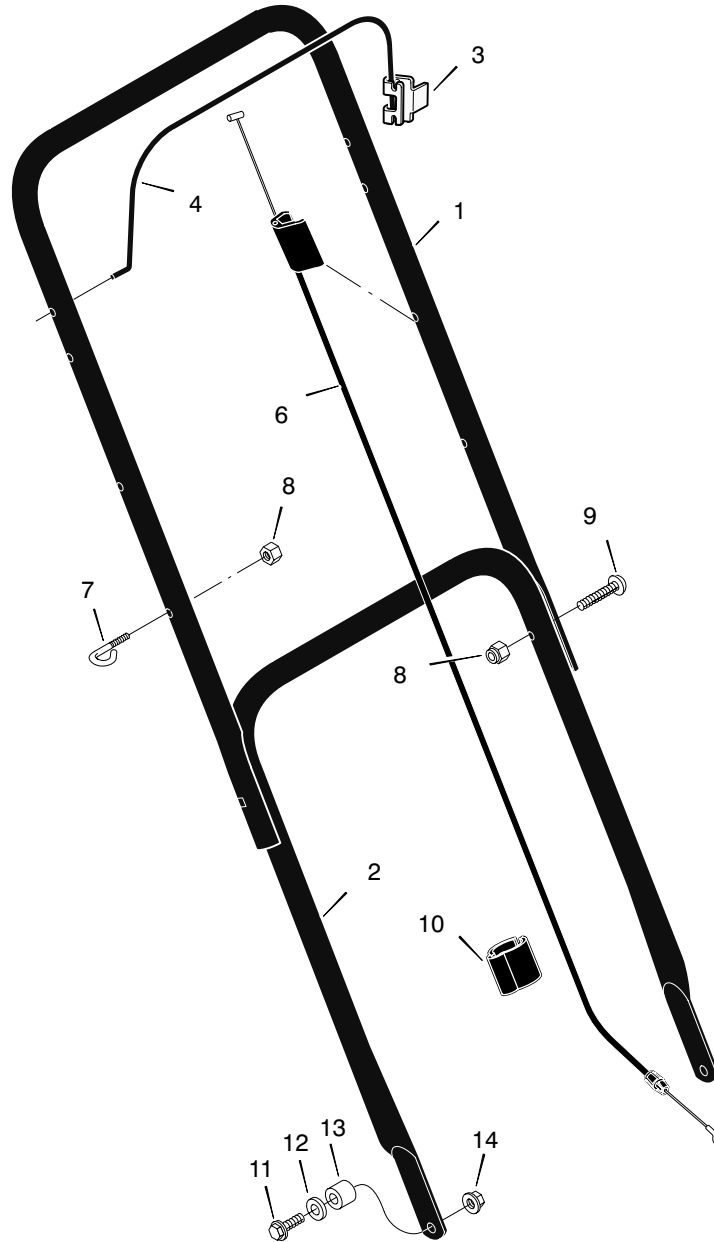


KEY NO.	PART NO.	DESCRIPTION
1	*	Engine, Briggs & Stratton
2	7950007	Housing
3	0025x6	Bolt, Engine
4	009x10	Bolt, Axle
5	020270	Wheel and Tire
6	845	Washer
7	004x21	Screw
8	017x38 Z	Washer
9	671912	Deflector, Rear
10	01x121	Bolt
11	017x37	Washer
12	15x102	Nut
13	15x116	Locknut
14	671929	Deflector, Chute
15	071056	Blade Adapter
16	042785E701	Blade – 20"
17	17x137	Washer, Blade
18	17x124	Washer
19	01x142	Bolt
20	015x68	Locknut
–	672733	Loose Parts Hardware Bag
–	F-040406L	Book, Instruction

* For information on Replacement Parts for this engine contact the manufacturer.



KEY NO.	PART NO.	DESCRIPTION
1	1101095E701	Handle, Upper (Black)
2	672874E701	Handle, Lower (Black)
3	1101454	Bracket, Stop Lever
4	671924E701	Lever, Stop
6	1101093	Engine Stop Cable
7	043956	Guide, Rope
8	15x116	Locknut
9	03x136	Screw
10	1101352	Clip, Cable

MODEL 20112X92A

11	01x111	Bolt
12	845	Washer
13	671914	Spacer
14	015x84	Nut

HANDLE ASSEMBLY