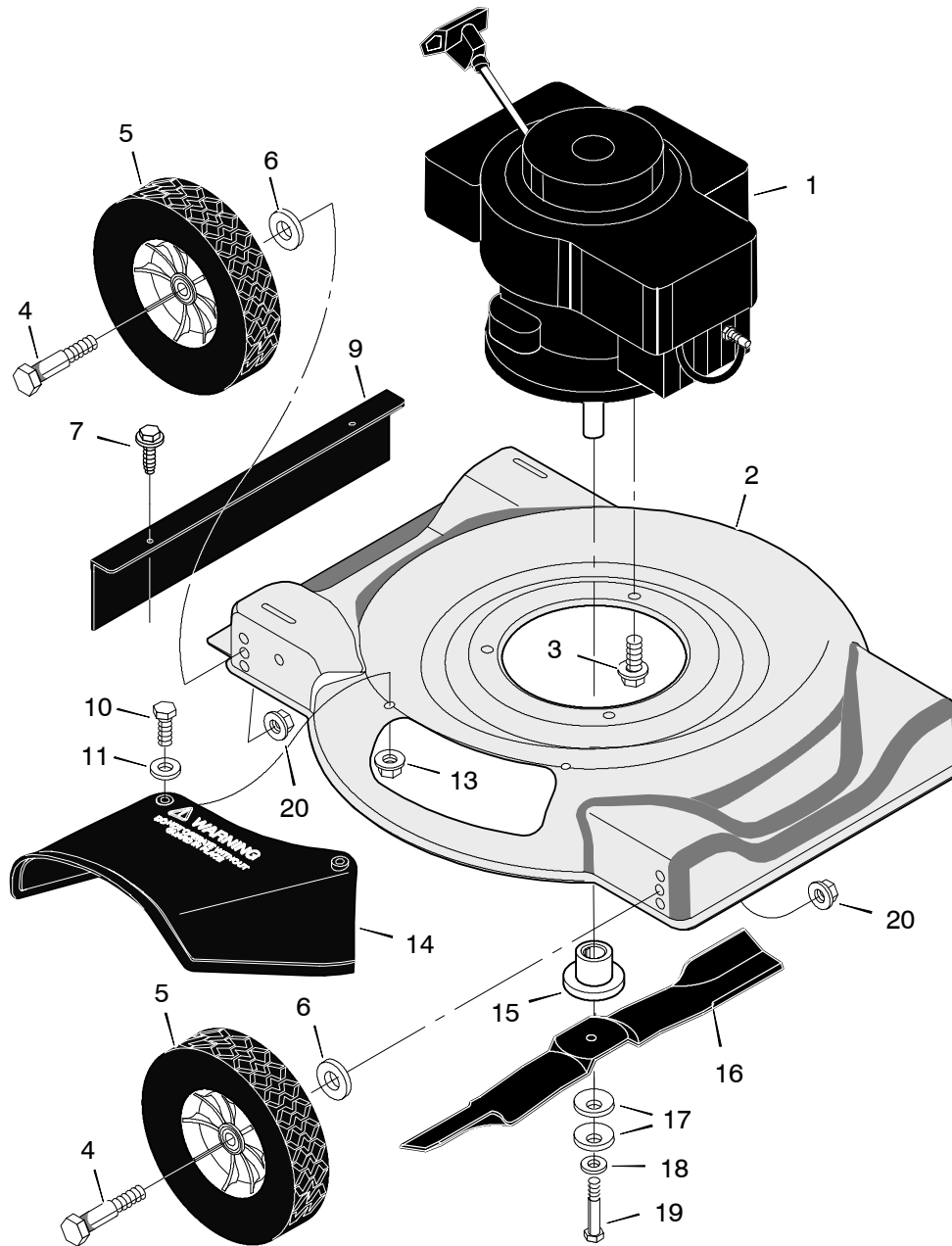


MODEL 20111X92C

REPAIR PARTS

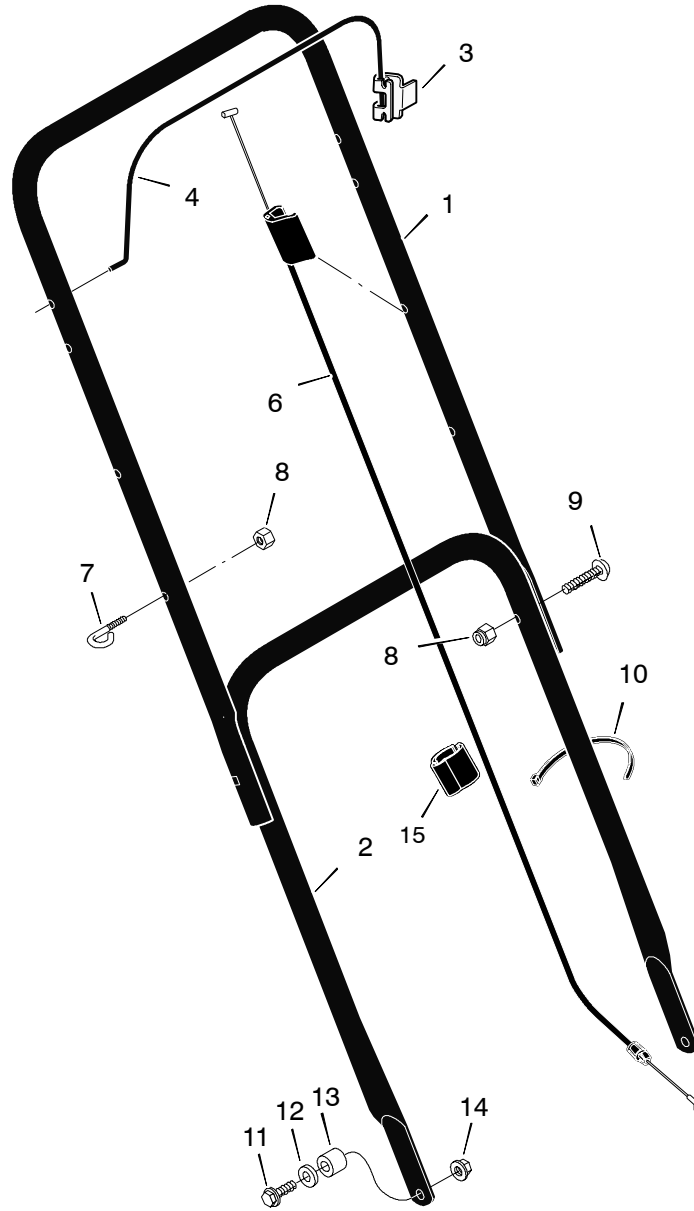


KEY NO.	DESCRIPTION	PART NO.	KEY NO.	DESCRIPTION	PART NO.
1	Engine	-----	15	Blade Adapter	071056
2	Housing	7950007	16	Blade - 20"	042785E701
3	Bolt, Engine	0025X6	17	Washer, Blade	17X137
4	Bolt, Axle	009x10	18	Washer	17X124
5	Wheel and Tire	020270	19	Bolt	01X142
6	Washer	845	20	Locknut	015X68
7	Screw	26x245	-	Loose Parts Hardware Bag	672733
9	Deflector, Rear **	671912	-	Warning, OPEI '98 **	48x405
10	Bolt	01x121	-	Cut Finger **	44x6458
11	Washer	017X37 Z	-	Warning, Install Chute **	44x7329
13	Locknut	15X116	-	Book, Instruction	F-020403L
14	Deflector, Chute **	671929			

** These parts are included when ordering Key number 2.

MODEL 20111X92C

REPAIR PARTS



KEY NO.	DESCRIPTION	PART NO.	KEY NO.	DESCRIPTION	PART NO.
1	Handle, Upper (Black)	1101095E701	9	Screw	03x136
2	Handle, Lower (Black)	672874E701	10	Fastener, Cable	032618
3	Bracket, Stop Lever	1101454	11	Bolt	01x111
4	Lever, Stop	671924E701	12	Washer	845
6	Engine Stop Cable	1101093	13	Spacer	671914
7	Guide, Rope	043956	14	Nut	015x84
8	Locknut	15x116	15	Clip, Cable	1101352