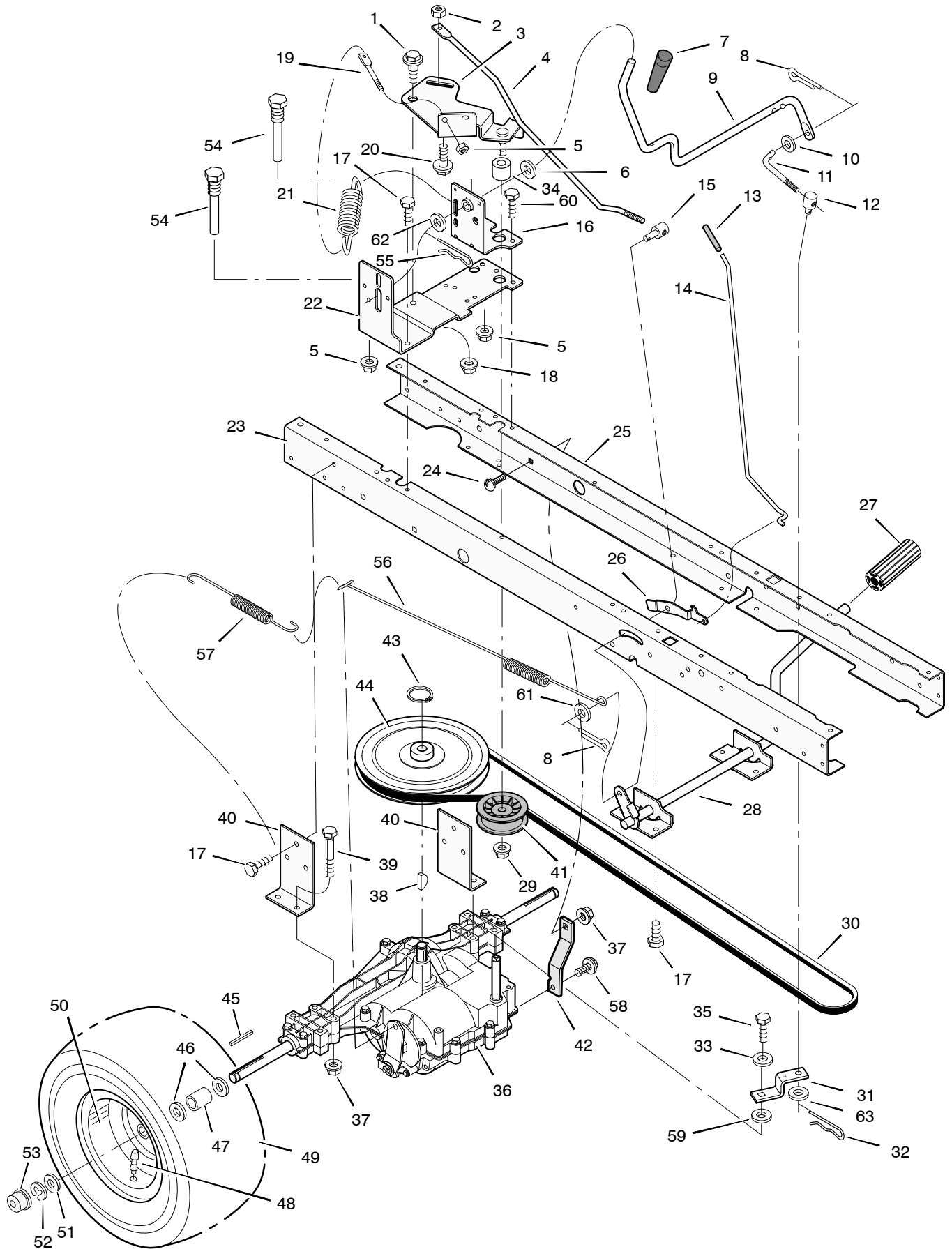


# MODEL 405004x99A

# REPAIR PARTS MOTION DRIVE



# MODEL 405004x99A

# REPAIR PARTS MOTION DRIVE

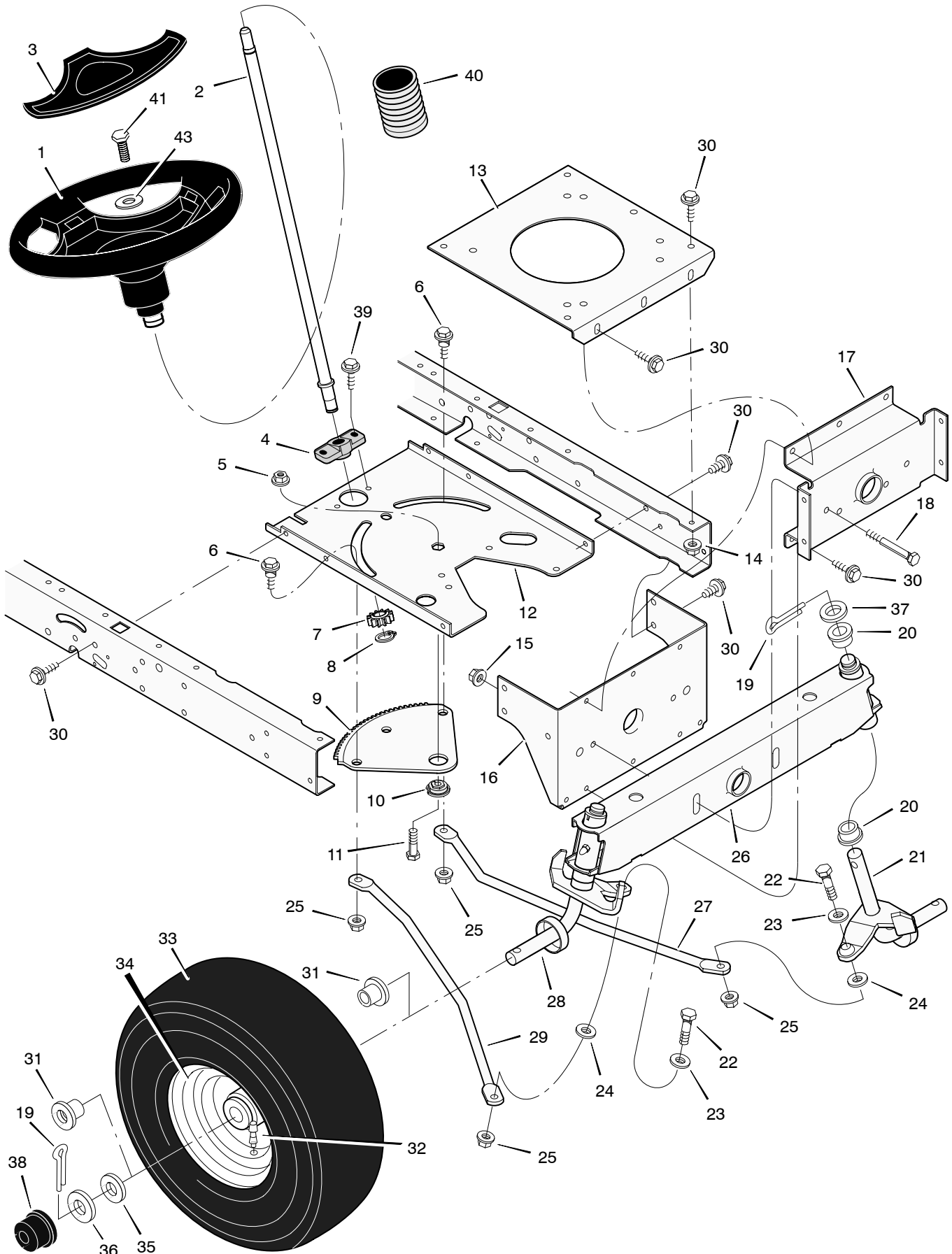
Key No.	Part No.	Description	Key No.	Part No.	Description
1	009x39	Bolt, Shoulder	33	017x38	Washer
2	015x89	Nut, Hex	34	690369	Spacer
3	690173 Z	Arm, Idler	35	06x105	Bolt
4	094041 Z	Rod, Clutch	36	†	Transaxle, DANA †
5	015x79	Nut	37	015x88	Nut
6	17x102	Washer	38	020697	Key, Woodruff
7	092697	Grip	39	01x155	Bolt
8	030x20	Pin, Cotter	40	094008E701	Bracket, Transaxle
9	094043 Z	Lever, Shift	41	690409	Pulley
10	017x47 Z	Washer	42	094433E700	Bracket, Transaxle Support
11	094044 Z	Link, Shift	43	0011x7	E-Ring
12	021920 Z	Nut, Adjuster	44	095094	Pulley, Drive
13	091079	Grip	45	021553	Key, Square
14	1001245 Z	Rod, Parking Brake	46	17x160	Washer
15	094815 Z	Nut, Adjuster	47	1401103 Z	Spacer, Transaxle
16	1001303 Z	Bracket, Shift Pivot	48	024373	Stem, Valve
17	26x249	Screw	49	091923	Tire *
18	015x84	Nut	--	407049	Tube
19	094042 Z	Mount, Stud Spring	50	092288-601	Wheel & Tire Assembly
20	009x54	Bolt, Shoulder	51	17x195	Washer
21	165x116	Spring, Extension	52	0011x3	E-Ring
22	1001978E701	Bracket, Right Shifter	53	094618	Hub Cap
23	1001928E701	Frame, Right	54	093349	Guide, Belt
24	002x53	Bolt, Carriage	55	0031x4	Pin, Hair
25	1001927E701	Frame, Left	56	165x115	Spring, Extension
26	094045 Z	Latch, Parking Brake	57	165x92	Spring, Extension
27	021544	Pedal	58	26x216	Screw
28	094038E700	Lever, Brake/Clutch	59	17x148	Washer
29	015x98	Nut	60	26x267	Screw
30	037x87	Belt, Motion Drive	61	17x169	Washer
31	094031 Z	Yoke, DANA Shift	62	17x165	Washer
32	0031x6	Pin, Hair	63	017x53	Washer

\* When you order a tire, make sure to give the brand name of the tire so that the tread pattern on the tire will match.

† For information on Replacement Parts contact the transaxle manufacturer.

# MODEL 405004x99A

# REPAIR PARTS STEERING



# MODEL 405004x99A

# REPAIR PARTS STEERING

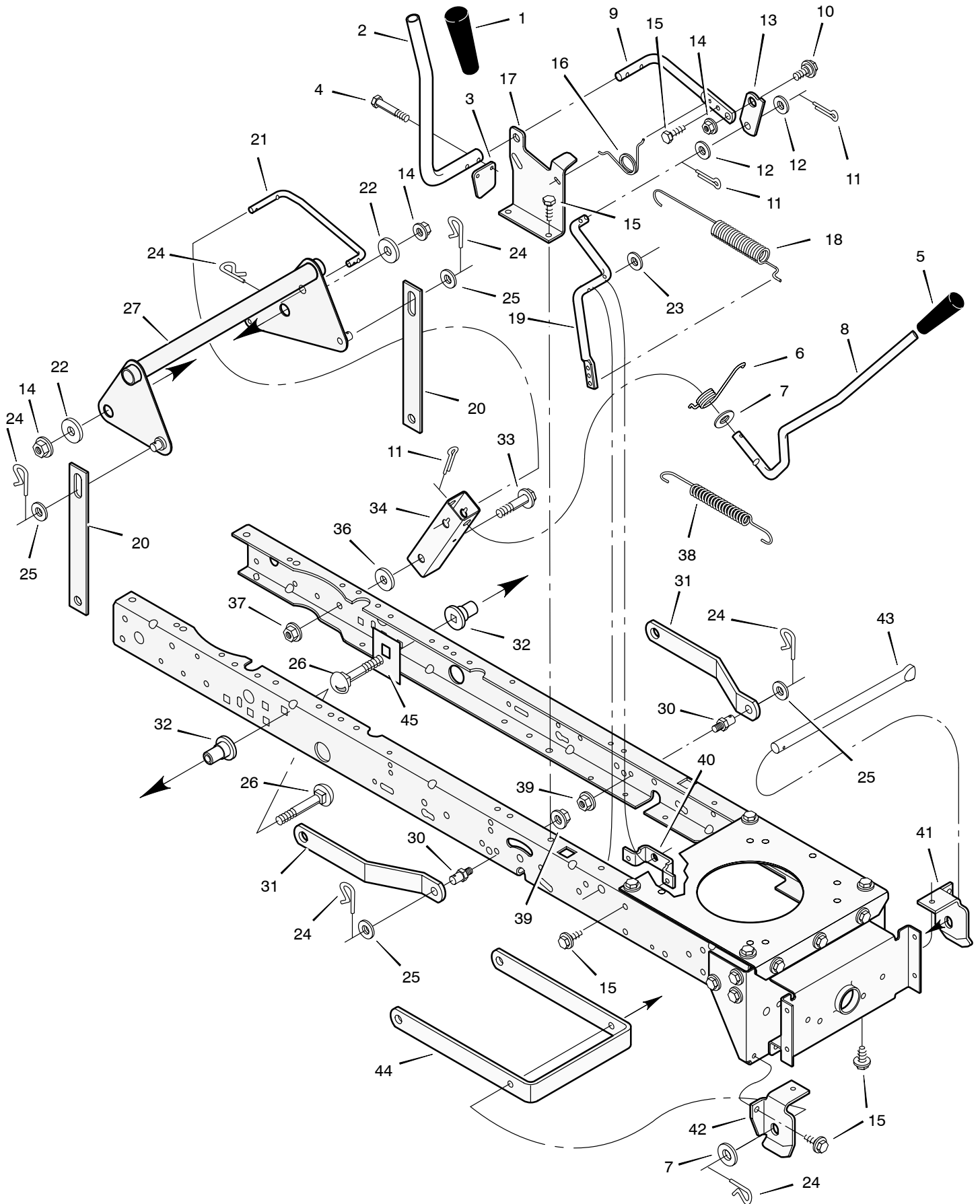
Key No.	Part No.	Description	Key No.	Part No.	Description
1	1001980	Wheel, Steering	23	17x104	Washer
2	690625	Post, Steering	24	017x53 Z	Washer
3	1001982	Cover, Steering Wheel	25	015x84	Nut, Flange
4	094124	Bearing †	26	1001460E701	Axle Assembly
5	15x111	Nut, Flange †	27	095329E701	Drag Link, Left
6	009x57	Bolt, Shoulder	28	094575E701	Spindle Assembly, Right
7	1001893	Gear, Pinion †	29	095328E701	Drag Link, Right
8	011x25	Ring, Snap †	30	26x249	Screw
9	094121	Gear, Sector	31	091334	Bearing, Wheel
10	094123	Bearing	32	024373	Stem, Valve
11	001x84	Bolt	33	091912	Tire *
12	1001121E701	Plate, Steering	--	407924	Tube
13	094006E700	Plate, Engine	34	1001840-601	Wheel and Tire Assembly
14	015x88	Nut, Flange	35	17x195	Washer
15	15x118	Nut, Flange	36	17x192	Washer
16	1001270E700	Bracket, Hanger	37	17x113	Washer
17	94007E701	Axle, Hanger	38	094618	Hub Cap
18	01x146	Bolt	39	26x267	Screw
19	030x49	Pin, Cotter	40	092059	Bellows
20	690150	Bearing	41	0025x3	Bolt
21	094576E701	Spindle Assembly, Left	43	17x146	Washer
22	01x111	Bolt			

\* When you order a tire, make sure to give the brand name of the tire so that the tread pattern on the tire will match.

† These parts are included when ordering Key number 2.

# MODEL 405004x99A

# REPAIR PARTS MOWER HOUSING SUSPENSION



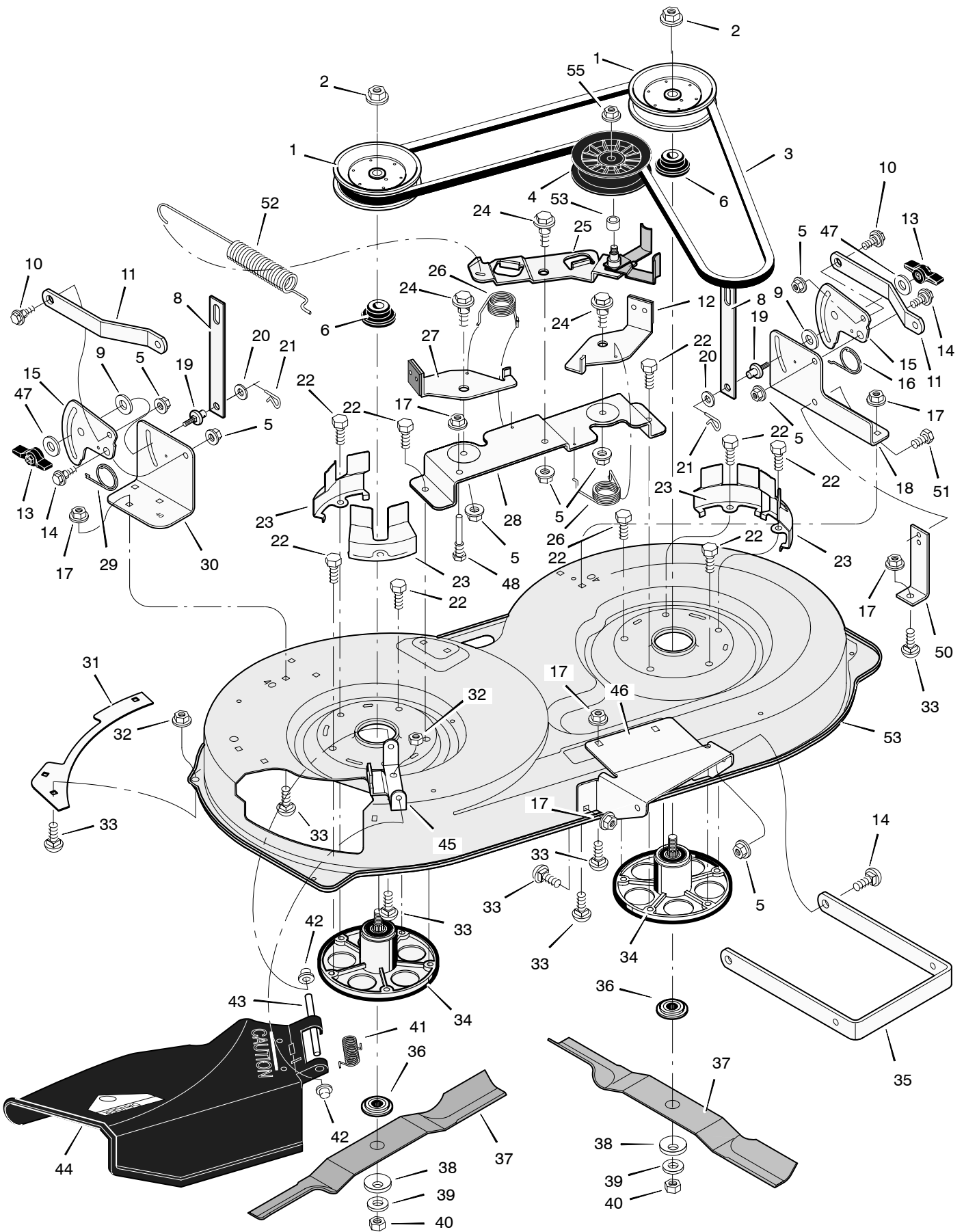
# MODEL 405004x99A

# REPAIR PARTS MOWER HOUSING SUSPENSION

Key No.	Part No.	Description	Key No.	Part No.	Description
1	094496	Grip	22	17x168	Washer
2	094157 Z	Handle, PTO	23	017x57	Washer
3	094022 Z	Pad, Switch	24	0031x4	Pin, Hair
4	0025x3	Bolt	25	017x91 Z	Washer
5	094497	Grip	26	002x85	Bolt, Carriage
6	166x40	Spring	27	1001111E701	Lever Assembly, Lift
7	17x103	Washer	30	094067	Pin
8	690533	Lever, Lift	31	094055E701	Bracket, Rear Suspension
9	094017 Z	Lever, PTO	32	690151	Spacer, Lifter
10	009x39	Bolt, Shoulder	33	009x53	Bolt, Shoulder
11	030x20	Pin, Cotter	34	094015E700	Bracket, Pivot
12	017x57	Washer	36	17x191	Washer
13	094004 Z	Link, PTO	37	015x84	Nut, Flange
14	015x84	Nut, Flange	38	165x131	Spring
15	26x249	Screw	39	015x68	Nut, Flange
16	166x39	Spring	40	094005E700	Bracket, PTO
17	094018E701	Bracket, PTO	41	094027E701	Hanger, Left Deck
18	165x119	Spring	42	094026E701	Hanger, Right Deck
19	690394E701	Crank, PTO	43	094158 Z	Rod, Hanger
20	690212E701	Link, Lift	44	690539E701	Bracket, Suspension
21	690122E701	Link, Lift Handle	45	1001098E701	Plate, Stiffening

# MODEL 405004x99A

# REPAIR PARTS MOWER HOUSING

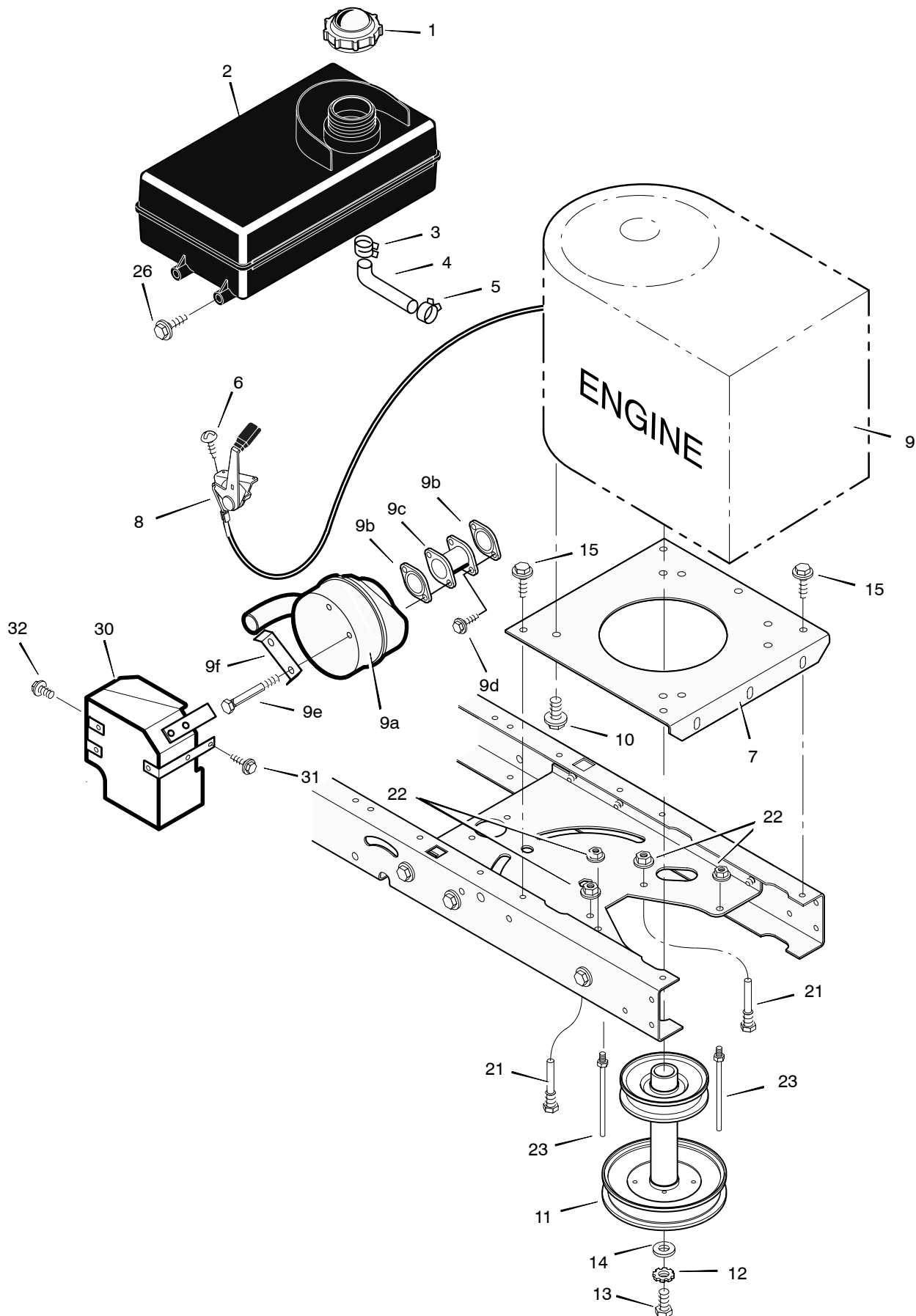


# MODEL 405004x99A

# REPAIR PARTS MOWER HOUSING

Key No.	Part No.	Description	Key No.	Part No.	Description
1	092851	Pulley, Jackshaft	29	166x42	Spring
2	15x140	Nut, Hex	30	094142E700	Bracket, Suspension
3	037x62	Belt, Mower Drive	31	091770E700	Plate
4	690387	Pulley, Idler	32	015x88	Nut, Flange
5	015x84	Nut, Flange	33	002x53	Bolt, Carriage
6	1001197	Spacer, Pulley	34	1001200	Mandrell (Includes Key No. 6)
8	690212E701	Link, Lift	35	690539E701	Bracket, Suspension
9	094137	Pad, Friction	36	690411	Adapter, Blade
10	009x52	Bolt, Shoulder	37	095103E701	Blade
11	094055E701	Bracket, Suspension	38	17x166	Washer
12	094049E701	Pad Assembly, Left Brake	39	17x165	Washer
13	094068	Knob	40	15x100	Nut
14	009x51	Bolt, Shoulder	41	0166x4	Spring
15	094128E700	Plate, Suspension	42	028x23	Cap, Push On
16	166x43	Spring	43	094957 Z	Rod, Pivot
17	015x79	Nut, Flange	44	094707	Deflector Assembly
18	094143E700	Bracket, Suspension	45	094956E701	Bracket, Deflector
19	095194	Pin, Hanger	46	094144E700	Bracket, Front Hanger
20	017x91	Washer	47	017x45 Z	Washer
21	0031x4	Pin, Cotter	48	094781	Guide, Belt
22	0025x7	Bolt	50	094681E700	Bracket, Support
23	094051E701	Cover, Pulley	51	26x249	Screw
24	009x39	Bolt, Shoulder	52	165x119	Spring, Extension
25	690408E701	Arm, Idler	53	690369	Spacer
26	166x41	Spring	54	094141E701	Housing, Blade *
27	094047E701	Pad Assembly, Right Brake	55	015x98	Nut, Flange
28	094145E701	Bracket Assembly, Brake	1-55	7601044	Complete Mower Housing Assy

\* Includes Key No. 17, 18, 30, 31, 32, 33, 45, 46, 47 and 51.



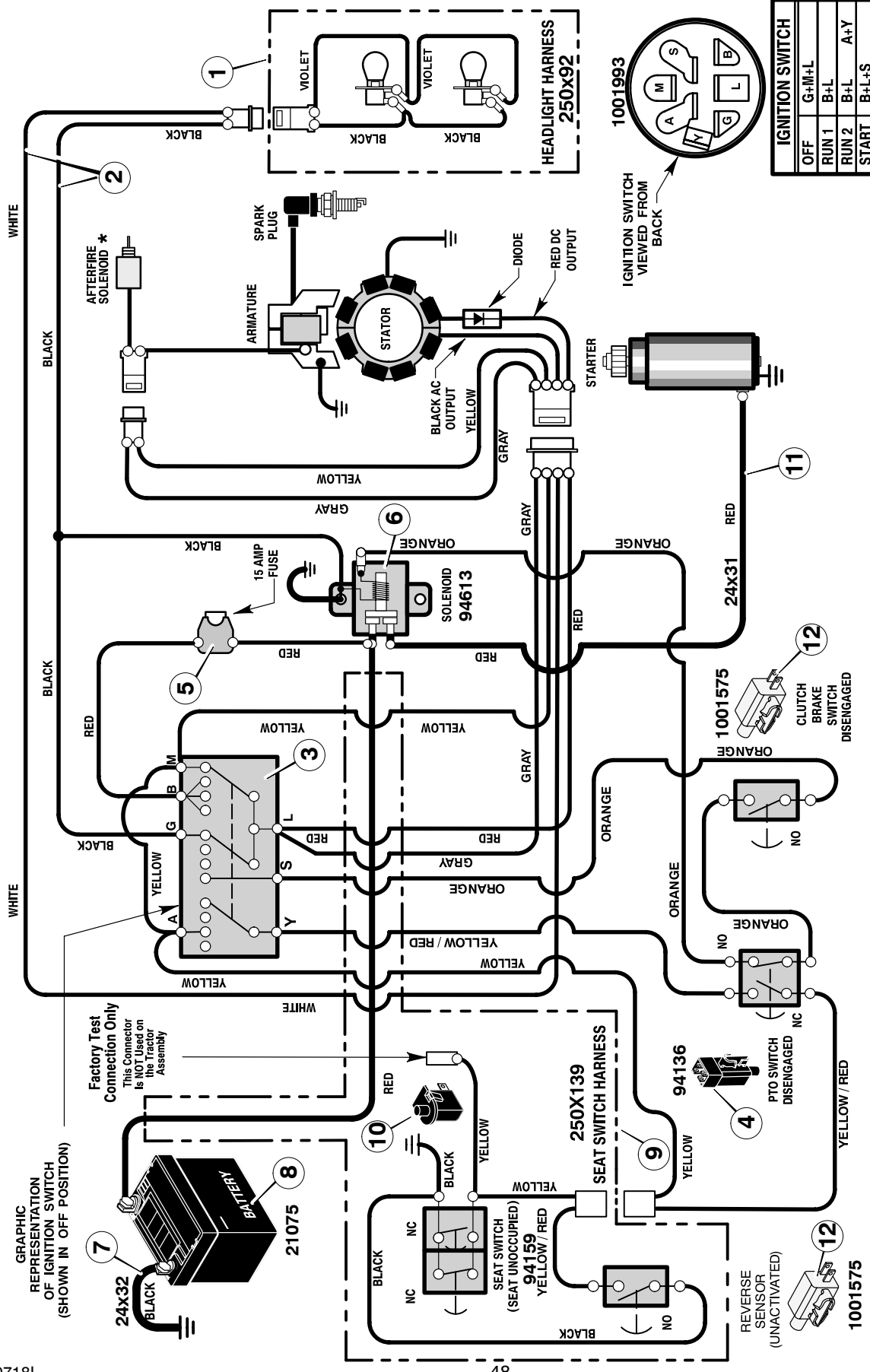
<b>Key No.</b>	<b>Part No.</b>	<b>Description</b>
1	092317	Fuel Cap †
2	690280	Fuel Tank
3	095197	Hose Clamp †
4	7601033	Fuel Line (Must cut to length) †
5	095197	Hose Clamp †
6	26x201	Screw
7	094006E700	Plate, Engine
8	092371	Throttle Control
9	*	Engine, BRIGGS & STRATTON
9a	1001720	Muffler
9b	091309	Gasket, Muffler
9c	1001737	Adapter, Muffler
9d	06x103	Screw, Adapter
9e	009x59	Bolt, Muffler
9f	092378	Lock, Screw
10	0025x7	Bolt, Engine Mount
11	690439 Z	Stack Pulley Assembly
12	019x35	Lockwasher
13	01x140	Bolt, Hex
14	17x170	Washer
15	26x249	Screw
21	094384	Guide, Belt
22	015x79 Z	Nut, Flange
23	094066	Guide, Belt
26	26x253	Screw
30	1001744	Shield, Heat
31	26x263	Screw
32	06x104	Screw

\* For information on Replacement Parts contact the engine manufacturer.

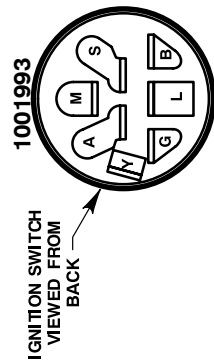
† These parts are included with Key number 2.

# MODEL 405004x99A

# REPAIR PARTS ELECTRICAL SYSTEM



IGNITION SWITCH	
OFF	G+M+L
RUN 1	B+L
RUN 2	B+L A+Y
START	B+L+S



**WIRING HARNESS FOR:**  
 GEAR DRIVE TRACTOR  
 \*AFTERFIRE SOLENOID OPTIONAL

**MAIN HARNESS: 250X138**  
 SEAT : 250X139; LIGHT : 250X92

<b>Key No.</b>	<b>Part No.</b>	<b>Description</b>
1	250x92	Harness, Light Wire
	1001716	Socket, Light
	090084	Bulb, Light
2	250x138	Harness, Chassis Wire
3	1001993	Switch, Ignition
	020729	Key, Ignition
	091489	Nut, Hex
	091488	Cap, Ignition
4	094136	Switch, Limit (PTO)
5	302031	Fuse
	407078	Holder, Fuse
6	1002004	Solenoid
	26x229	Screw, Mounting
	15x116	Locknut
7	024x32	Cable, Battery Ground
	26x229	Screw, Ground Cable
8	021075	Battery
	002x82	Bolt, Carriage
	014x79	Wingnut
9	250x139	Harness, Seat Switch Wire
10	094159	Switch, Seat Sensor
11	024x31	Cable
12	1001575	Switch, Select Reverse™ / Clutch Brake