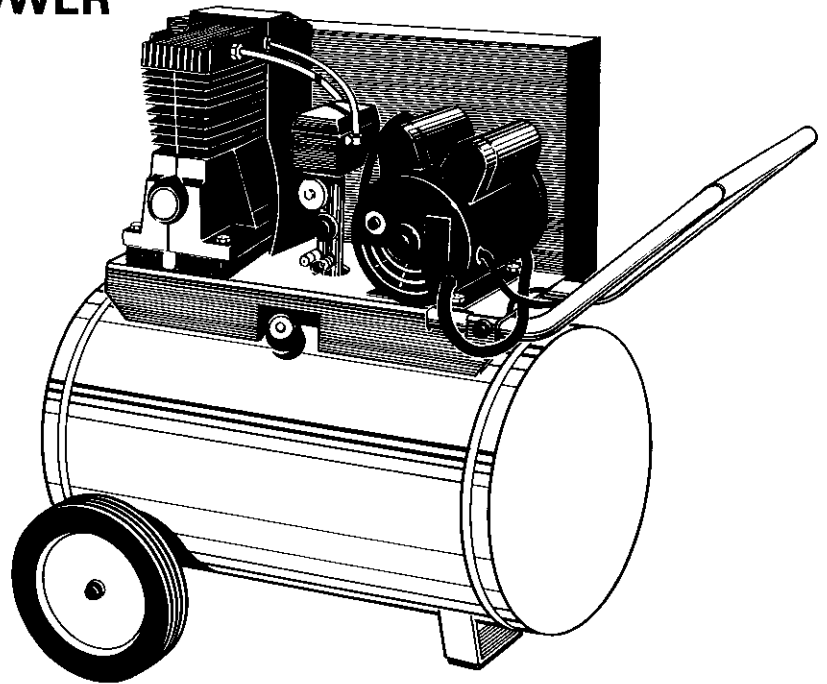


AIR COMPRESSOR PARTS MANUAL

Form 200-1942 Rev. A

**PORTABLE
TWIN CYLINDER ELECTRIC
130 PUMP 3 HORSEPOWER**

**MODEL:
109CL300 SERIES**



SPECIFICATION CHART

HORSEPOWER	3	3	3
MODEL NUMBER	109CL300-22	109CL300-20A	109CL300-30A
VOLTAGE/AMPS/PHASE	115/15/1	115/15/1	115/15/1
AIR RECEIVER (TANK) CAPACITY	22 Gallons	20 Gallons ASME	30 Gallons ASME
SCFM @ 40 PSI	7.9	7.9	7.9
SCFM @ 90 PSI	6.5	6.5	6.5
APPROXIMATE KICK-IN PRESSURE	90	90	90
APPROXIMATE KICK-OUT PRESSURE	120	120	120

Meets or exceeds Underwriters Laboratories Standards. The Manufacturer reserves the right to discontinue or change specifications at any time without incurring any obligations.

In the event you should have a question, or a concern, with the air compressor, **DO NOT** return it to the store where you purchased it. Most problems and concerns can be taken care of on the telephone!

Simply call the appropriate number listed below and discuss the concern with our trained Customer Service Department.

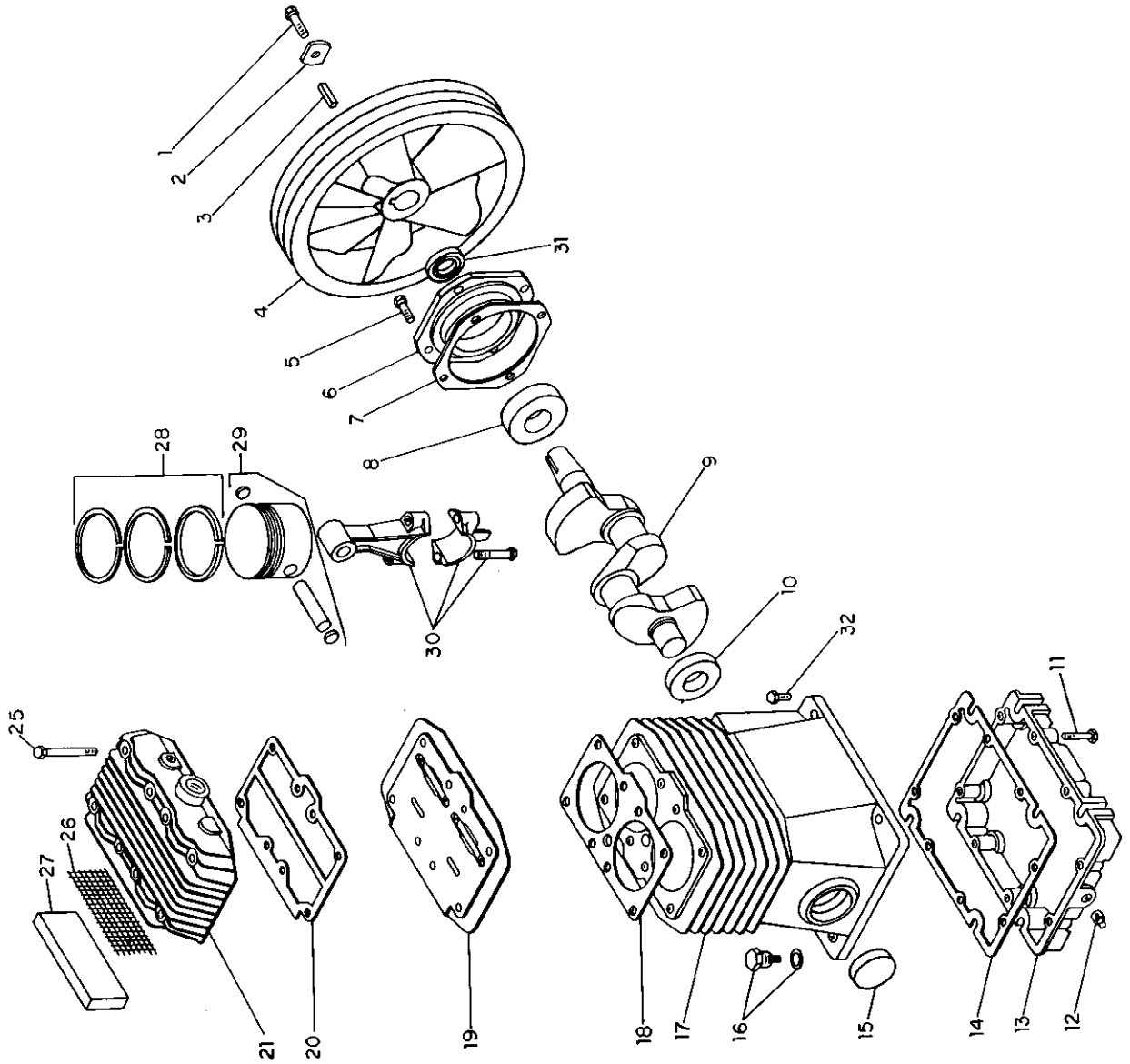
(800) 544-5145 (Toll Free)
(204) 947-1754 (In Canada)

Should you not be able to reach us at the above numbers, please check the Service Center Listing included with your instruction manual and call the Service Center nearest you for assistance.

CAUTION:

Read the operator's manual carefully before attempting to operate or service this unit! FAILURE TO COMPLY WITH INSTRUCTIONS COULD RESULT IN: VOIDING OF YOUR WARRANTY, PERSONAL INJURY AND/OR PROPERTY DAMAGE! These Air Compressors are precision built from the finest materials and with proper care and maintenance will perform efficiently.

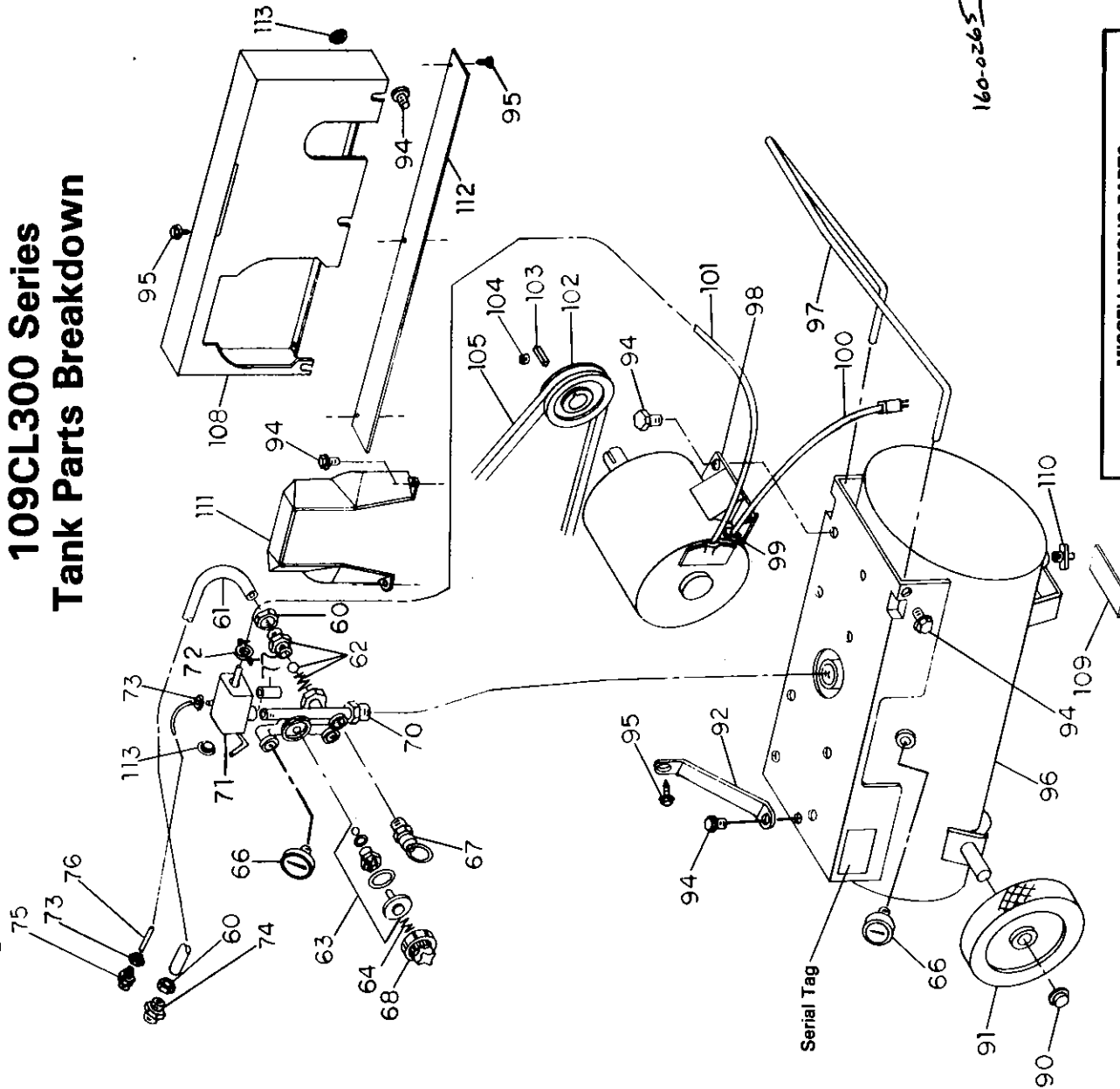
130 Pump Parts Breakdown



COMPRESSOR PUMP REPLACEMENT PARTS			
ITEM	PART NO.	DESCRIPTION	QTY.
1	059-0002	Bolt 5/16" NC x 1" long	1
2	060-0053	Flywheel washer	1
3	146-0001	Key 5/16" SQ x 1" long	1
4	044-0039	Flywheel 12" O.D. A-width	1
5	059-0143	Bolt 5/16" NC x 7/8" long	4
6	045-0043	Bearing carrier	1
7	046-0149	Bearing carrier gasket	1
8	051-0043	Open bearing	1
9	053-0041	Crankshaft	1
10	051-0013	Open bearing	1
11	059-0145	Bolt 1/4" NC x 1 1/4" long	8
12	062-0002	Pipe plug 1/8" NPT	1
13	077-0065	Crankcase base	1
14	046-0150	Crankcase base gasket	1
15	062-0043	Expansion plug, 1 3/4" diameter	1
16	056-0019	Dipstick	1
17	049-0035	Crankcase	1
18	046-0152	Cylinder gasket	1
19	043-0143	Valve plate assembly (item #'s 18, 19 & 20)	1
20	046-0151	Head gasket	1
21	042-0068	Head	1
25	059-0144	Bolt 5/16" x 2 1/2" long	8
26	118-0023	Filter screen	1
27	019-0052	Inlet filter	1
28	054-0112	Complete ring set	1
29	048-0065	Piston assembly	1
30	047-0072	Connecting rod	2
31	046-0161	Oil seal	1
32	059-0146	Bolt 5/16" NC x 2 1/4" long	4

ASSEMBLIES - KITS - SETS	
PART NO.	DESCRIPTION
040-0130	Complete pump assembly model 130
165-0083	Complete overhaul kit (includes ring and gasket sets, valve plate assembly and filter element).
046-0159	Complete gasket set

109CL300 Series Tank Parts Breakdown



MANIFOLD/REGULATOR REPLACEMENT PARTS			
ITEM	PART NO.	DESCRIPTION	QTY.
60	058-0007	3/8" compression nut & sleeve	2
61	145-0004	Transfer tube 3/8" O.D.	1
62	139-0009	Check valve assembly 1/2" x 3/8"	1
63	105-0004	Manifold repair kit	1
64	055-0005	Regulator spring	1
66	032-0001	Gauge, 170 PSI	1
67	136-0036	135 lb. Non-Code pressure relief valve	2
	136-0037	135 lb. ASME pressure relief valve	1
68	137-0001	relief valve	1
70	041-0003	Knob assembly	1
71	034-0088	Manifold	1
72	071-0002	Pressure switch	1
73	058-0017	Strain relief connector	1
74	068-0008	3/4" compression nut & sleeve	2
		Male connector 1/2" NPT x 3/8" O.D. tube	1
75	068-0002	Male connector 1/8" NPT x 1/4" O.D. tube	1
76	145-0008	1/4" O.D. bleeder tube	1
77	036-0003	Coupling 1/4" NPT x 1/4" NPT	1

TANK ASSEMBLY REPLACEMENT PARTS			
ITEM	PART NO.	DESCRIPTION	QTY.
90	033-0002	Hub cap 3/8"	2
91	095-0014	Wheel 10" x 1.75"	2
92	114-0129	Belt guard bracket	1
94	059-0012	Lock bolt 5/16" - 18 x 1/2" long	13
95	061-0055	No. 10 sheet metal screw	8
96	130-0016	22 gallon portable tank assembly with handle and wheels	1
	152-0010	20 gallon ASME portable tank assembly with handle and wheels	1
	153-0014	30 gallon ASME portable tank assembly with handle and wheels	1
97	112-0002	Handle	1
98	160-0429	Motor	1
99	071-0002	Strain relief connector	1
100	026-0084	Power cord 1 1/8 x 6 1/2' long	1
		115 volt, 15 amp	1
101	026-0013	Interconnecting cord 1 1/2 x 34"	1
102	006-0014	Pulley 2.6 O.D. A-width	1
103	146-0016	Key 3/16" x 1" long	1
104	061-0002	Set screw 5/16" - 18 x 1/2"	1
105	007-0049	V-belt A-51	1
108	142-0049	Belt guard	1
109	094-0012	Vibration isolator	1
110	072-0001	3/4" Petcock (tank drain)	2
111	142-0039	Shroud	1
112	125-0051	Belt guard bottom	1
113	093-0005	Button plug	4

MISCELLANEOUS PARTS	
PART NO.	DESCRIPTION
012-0004	Hose 3/8" x 15'
038-0002	Air chuck
018-0007	Air compressor oil, SAE 30, 1 qt.
018-0008	Air compressor oil, SAE 10, 1 qt.