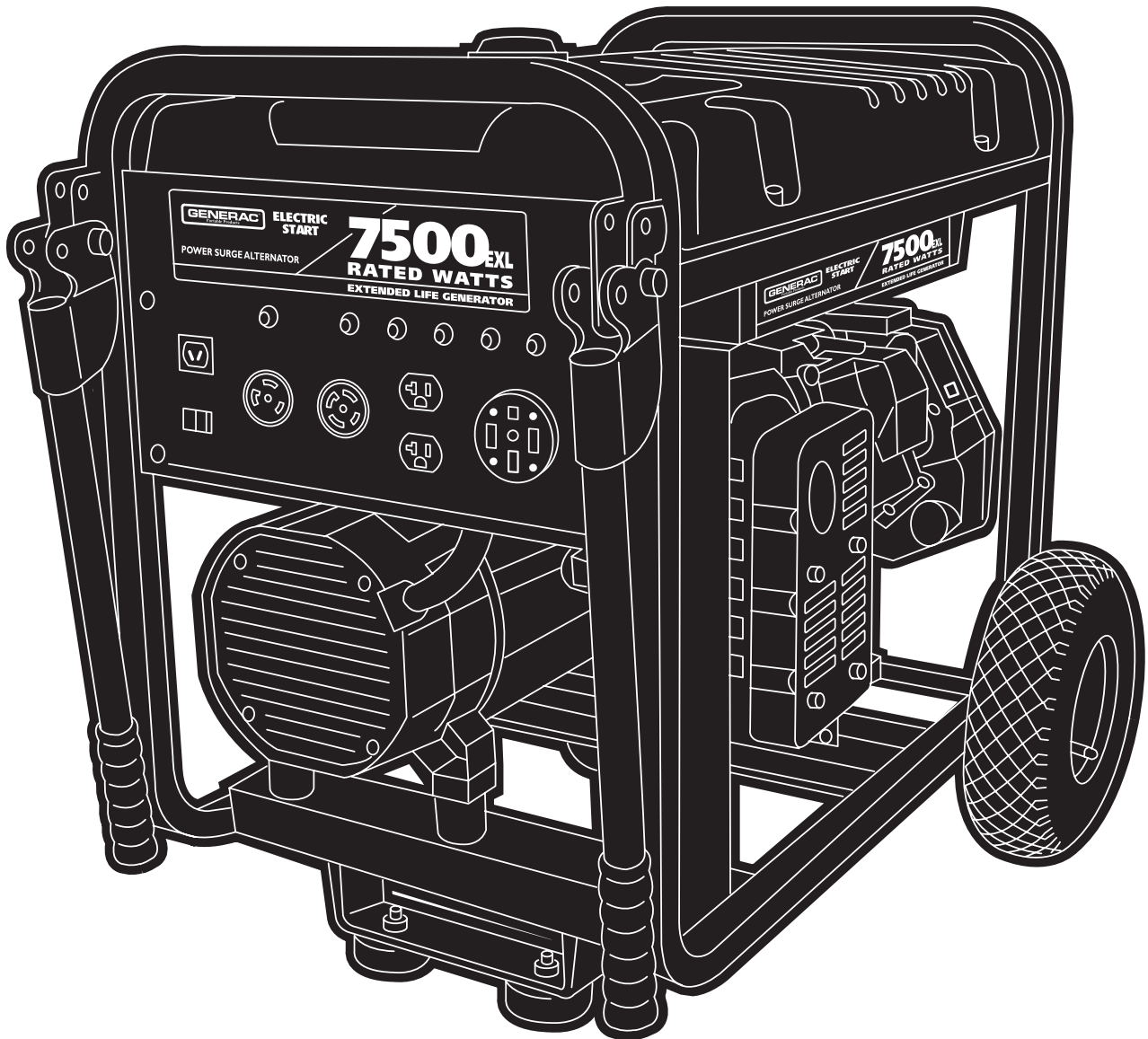




7500^{EXL}
RATED WATT

EXTENDED LIFE GENERATOR

Illustrated Parts List

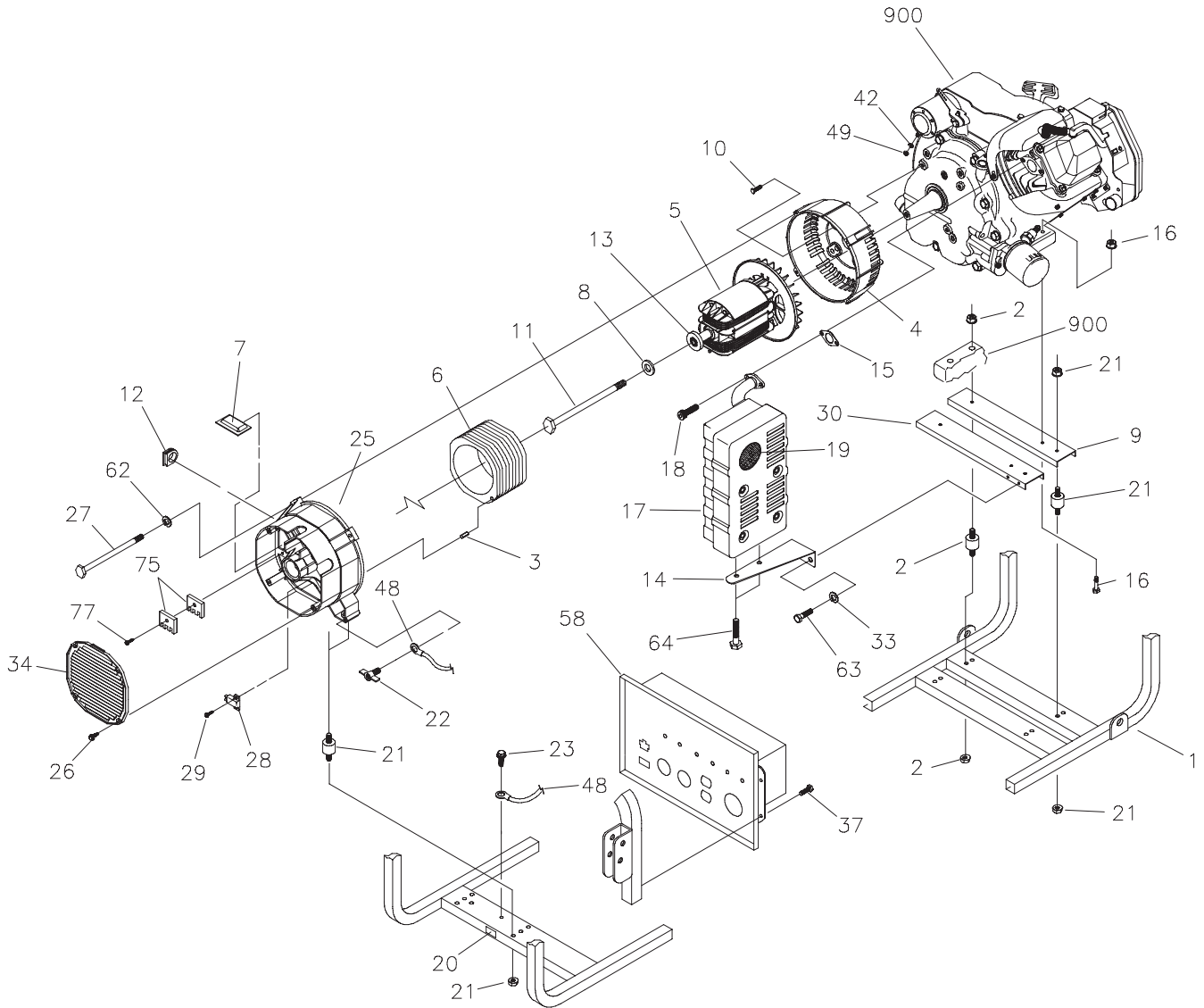


Questions? Help is just a moment away!

Call: **Generac Generator Helpline - 1-800-270-1408** M-F 8-5 CT

Web: www.generac-portables.com

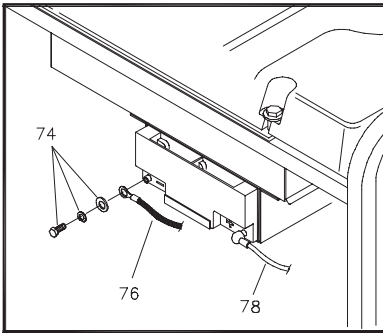
EXPLODED VIEW - ALTERNATOR



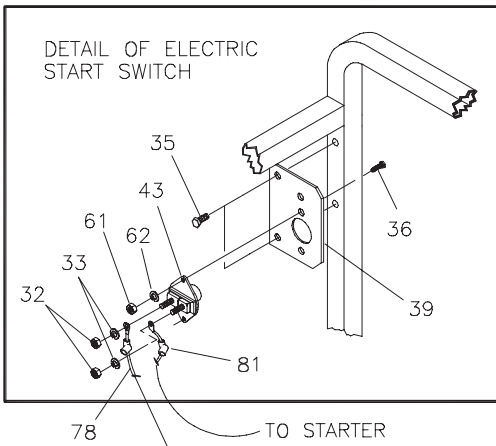
Copyright © 2006 Briggs & Stratton Power Products Group, LLC. All rights reserved. No part of this material may be reproduced or transmitted in any form by any means without the express written permission of Briggs & Stratton Power Products Group, LLC.

EXPLODED VIEW - FRAME

DETAIL OF BATTERY TRAY

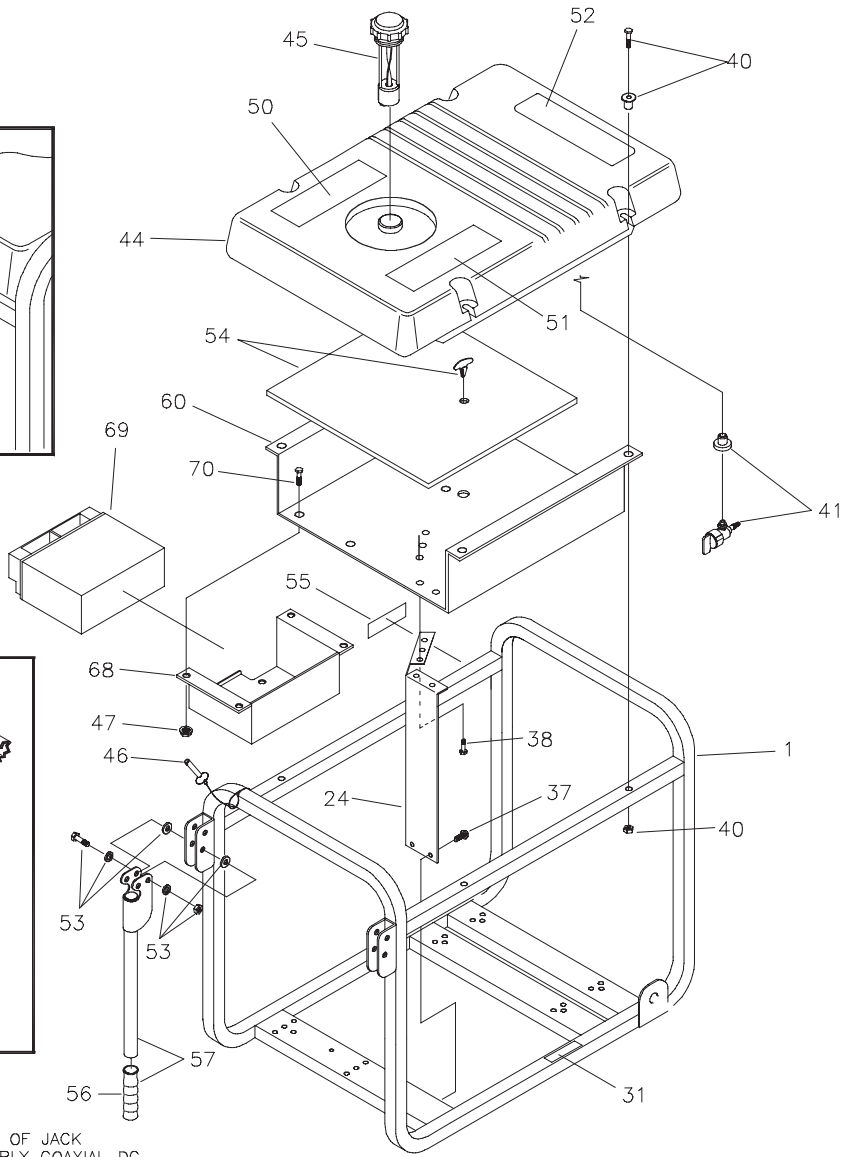
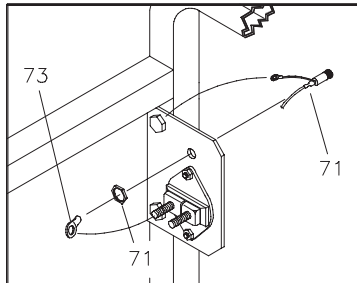


DETAIL OF ELECTRIC START SWITCH

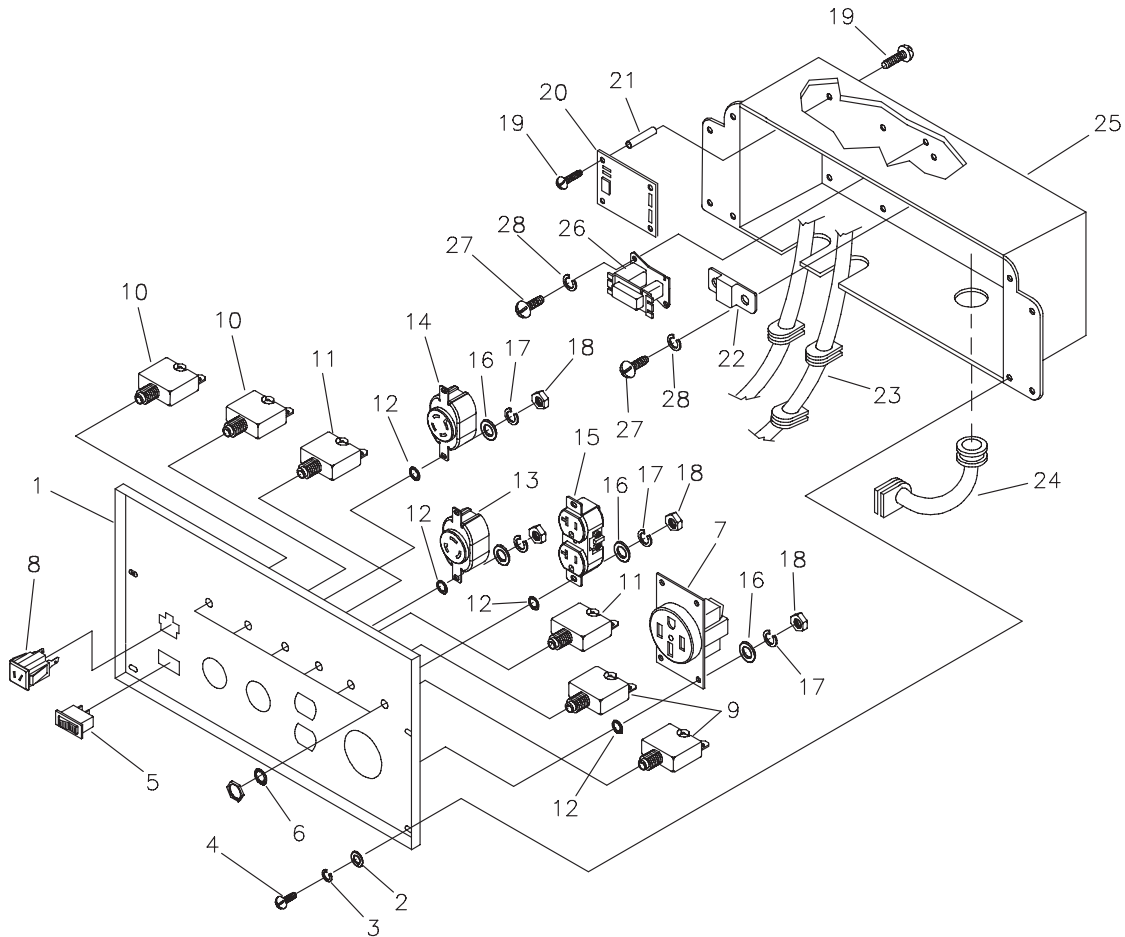


TO + TERMINAL ON BATTERY

DETAIL OF JACK ASSEMBLY COAXIAL DC



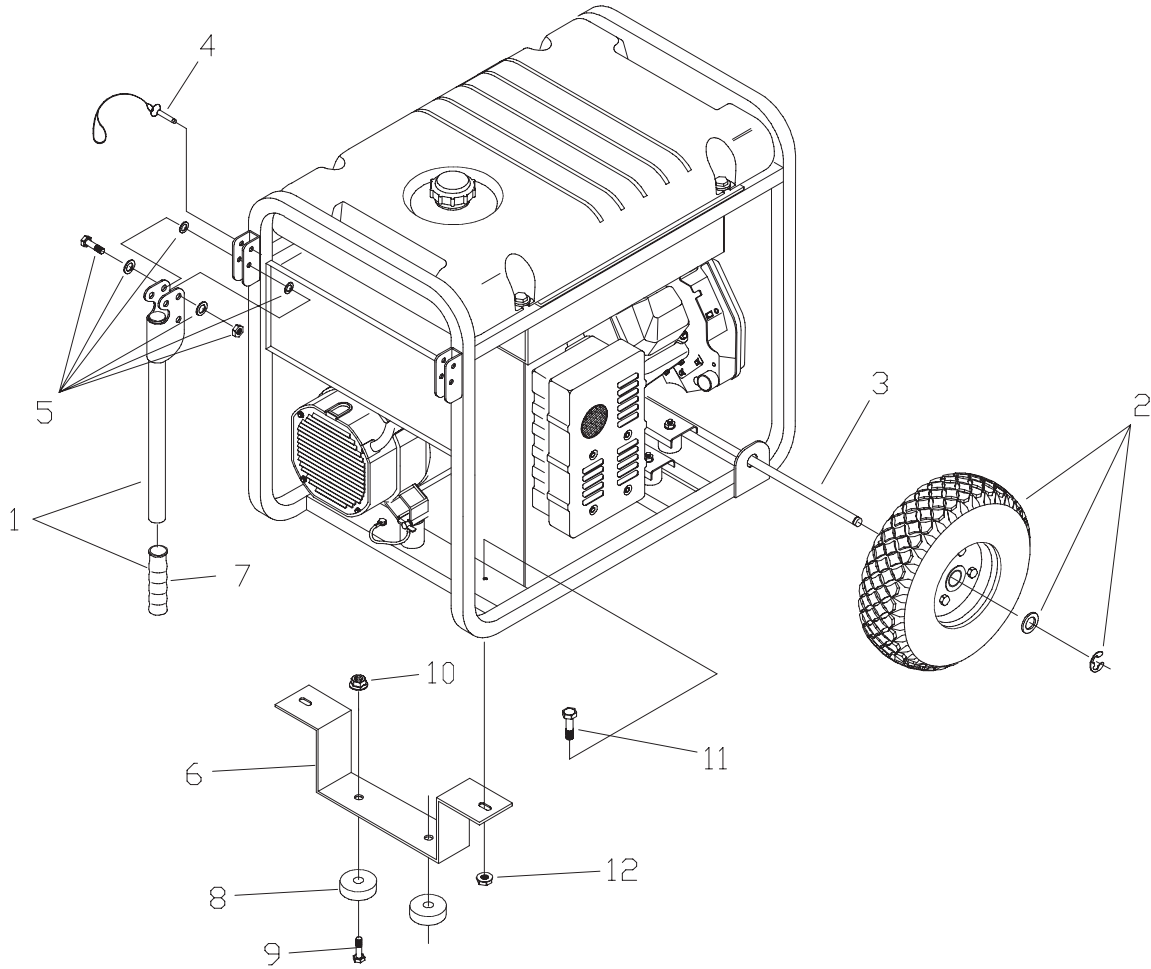
EXPLODED VIEW AND PARTS LIST – CONTROL PANEL



Item	Part #	Description	Item	Part #	Description
1	BB4461GS	PANEL, Control	17	*	WASHER, Lock, #8 M4
2	*	WASHER, #10 M5 Flat	18	*	NUT, M4 - 0.7 Hex
3	*	WASHER, Lock, M5	19	*	SCREW, #6-32 x 3/8" Self Tapping
4	*	SCREW, M5-0.8 x 12 mm Philips Hd	20	83970GS	BOARD, System Control
5	82538GS	SWITCH, Idle Control	21	64525GS	STANDOFF, 3/4" Hex
6	*	WASHER, 7/16" Internal Lock	22	87962GS	BREAKER, Circuit, 10A (auto), 12V
7	B4262GS	OUTLET, 50A, 240V	23	84335GS	ASSY, Wire Harness
8	90418GS	OUTLET, 10A, 12VDC	24	84134GS	GROMMET
9	75207NGS	BREAKER, Circuit, 35A	25	B92069GS	BOX, Control Panel
10	75207AGS	BREAKER, Circuit, 30A	26	84028GS	TRANSFORMER, Idle Control
11	75207GS	BREAKER, Circuit, 20A	27	*	SCREW, M3 - 0.5 x 10 mm
12	*	WASHER, #8 Shakeproof	28	*	WASHER, Lock, M3
13	68868GS	OUTLET, 30A, 120V Locking			
14	43437GS	OUTLET, 30A, 120V/240V Locking			
15	68759GS	OUTLET, 20A, 120V			
16	*	WASHER, M4 Flat			

* - Items without part numbers are common fasteners and are available at local hardware stores.

EXPLODED VIEW AND PARTS LIST – WHEEL KIT



Item	Part #	Description
1	B193200GS	ASSY, Handle (Includes Item 7)
2	I94509GS	KIT, Wheel
3	I91267GGS	AXLE, 5/8" x 23.62"
4	B4135GS	PIN, with Lanyard
5	I94034GS	KIT, Hardware Fold Down Handle
6	B186927GS	SUPPORT LEG
7	I89718GS	GRIP
8	I91413GS	VIBE MOUNT
9	*	HHCS, 1/4 - 20 x 1
10	*	NUT, 1/4 - 20 Serrated Lock
11	*	HHCS, M8 - 1.25 x 20
12	*	NUT, M8 Lock

* - Items without part numbers are common fasteners and are available at local hardware stores.