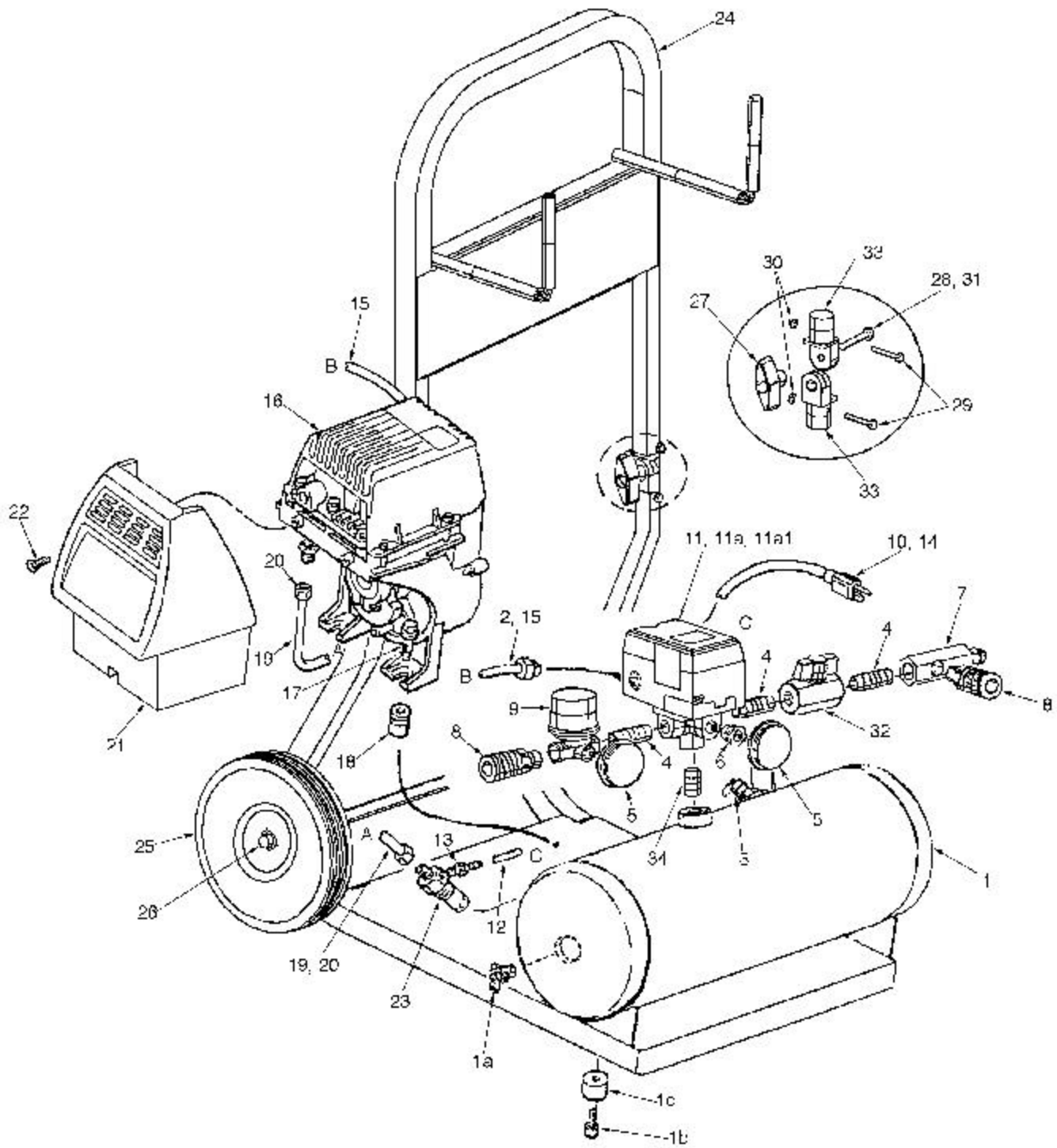


MODEL HC125

PARTS DRAWING



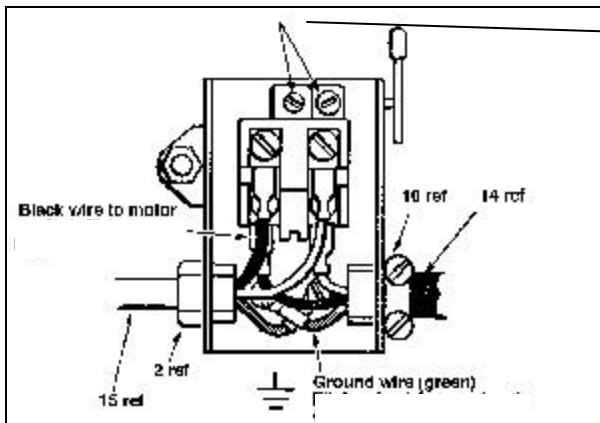
DATE 5/01/98

ORIGINAL

MODEL HC125

SERVICE PARTS LIST

Item	Part No	Qty	Description
1	150-0066	1	Tank assy, includes 1a-1c
1a	072-0001	1	Petcock
1b	061-0005	4	Screw, #10 x .75" lg
1c	094-0026	4	Foot
2	071-0008	1	Strain relief
3	136-0056	1	Valve, 140 PSI, 1/4 NPT ASME
4	065-0033	3	Nipple, 1/4 NPT x 1.50" lg
5	032-0056	2	Gauge, 220 PSI
6	063-0023	1	Bushing, 1/4 x 1/8 NPT
7	136-0057	1	Relief valve
8	036-0039	2	Coupler, 1/4-18 NPT
9	019-0167	1	Regulator
10	071-0002	1	Strain relief
11	034-0121	1	Switch, pressure, includes 11a
11a	136-0013	1	Valve, bleeder, includes 11a1
11a 1	058-0017	1	Nut, 1/4" O.D. tube
12	145-0278	1	Tube, bleeder also order 058-0017 qty 1
13	068-0506	1	Connector, 1/8 NPT x 1/4 barb
14	026-0030	1	Cord, power
15	026-0233	1	Cord, interconnect B-B
16	040-0242	1	2 H.P. Pump/motor assy
17	059-0221	3	Bolt, shoulder, 1/4-28
18	093-0019	3	Grommet
19	145-0299	1	Tube, transfer A-A also order 058-0007 qty 2
20	058-0007	2	Nut, 3/8" O.D. tube
21	142-0097	1	Shroud
22	061-0108	3	Screw, #8-32 x 7/16" lg
23	031-0037	1	Valve, check 1/2 NPT x 3/8" O.D. tube
24	150-0069	1	Handle assembly
25	095-0016	2	Wheel
26	033-0001	2	Hubcap
27	092-0013	2	Knob clamp
28	059-0288	2	Bolt
29	059-0287	4	Screw
30	058-0122	4	Wiz loc
31	060-0115	2	Washer (not shown)
32	073-0001	1	On/off valve
33	068-0052	4	Connector tube, drilled
34	065-0031	1	Close nipple, 1/4"
	011-0008	1	Hopper (not shown)
	010-0016	1	Gun hopper (not shown)
	012-0067	1	Clamp, hose (not shown)
	012-0066	1	Hose (not shown)
	038-0017	1	Conector, 1/4 NPT female (not shown)
	200-2193	1	Manual, hopper gun (not shown)
	038-0017	1	Coupler, 1/4" FNPT male (not shown)



Note: These are not connection screws. NEVER turn these screws; doing so will void the warranty. They have been pre-adjusted at the factory for proper operation of the pressure switch.

DATE 5/01/98

ORIGINAL