



Illustrated Parts List

Model Series

331800

TYPE NUMBERS
0036, 0805.

TABLE OF CONTENTS

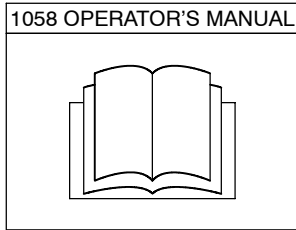
Air Cleaner	5
Alternator	7
Blower Housing	5
Camshaft	2
Carburetor	4
Controls	7
Crankshaft	2
Cylinder	2
Cylinder Head	3
Electric Starter	7
Engine Sump	2
Exhaust System	5
Flywheel	6
Fuel Supply	4
Gasket Set-Engine	2
Gasket Set-Valve	3
Governor Spring	7
Ignition	7
Intake Manifold	3
Kit-Carburetor Overhaul	4
Lubrication	3
Operator's Manual	2
Piston, Rings, and Connecting Rod ..	2
Valves	3
Warning Label	2

PRINTED IN U.S.A.



COPYRIGHT by BRIGGS & STRATTON CORPORATION
All rights reserved. No part of this material may be reproduced or transmitted, in any form or by any means, electronic or mechanical, including photocopying, recording or by any information storage and retrieval system, without permission in writing from Briggs & Stratton Corporation.

1058 OPERATOR'S MANUAL

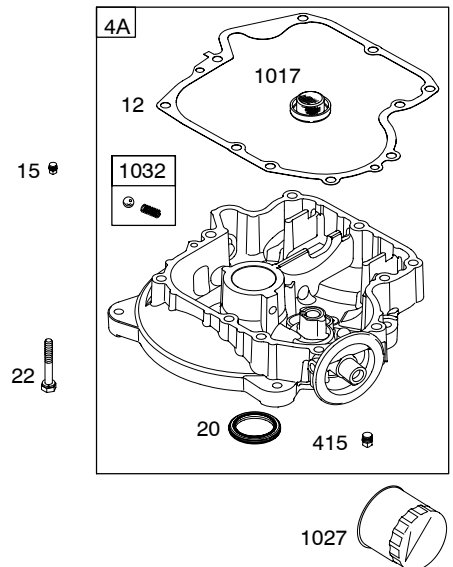
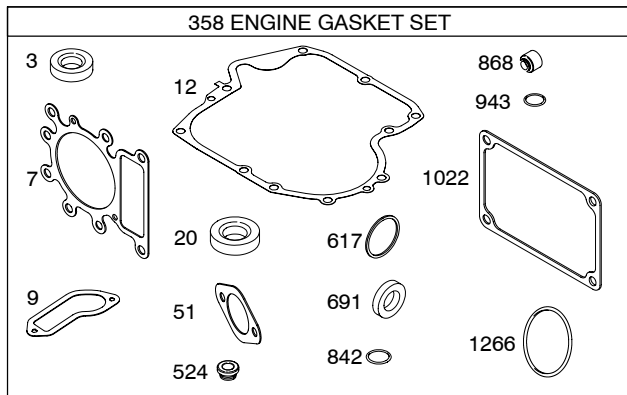
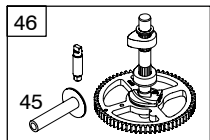
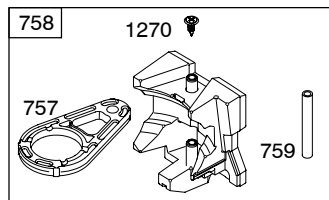
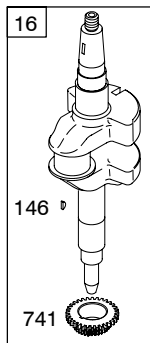
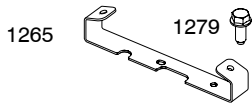
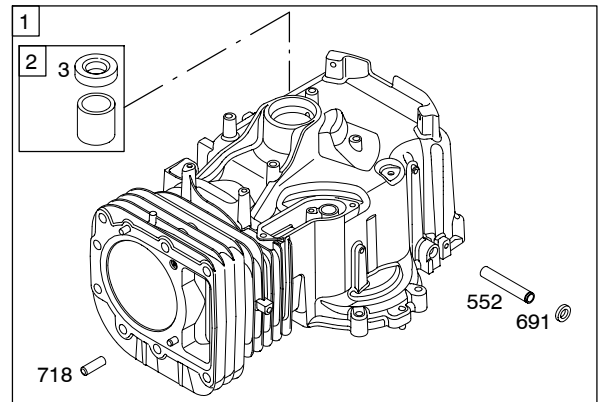
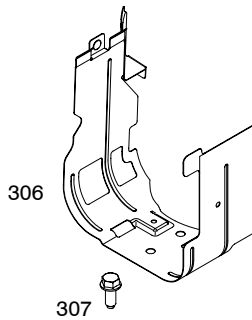
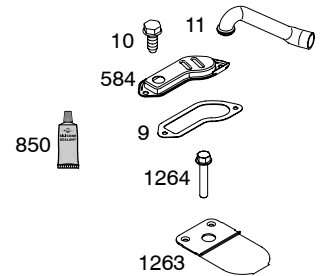
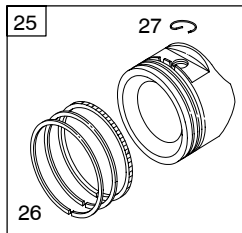
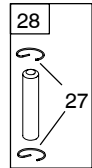
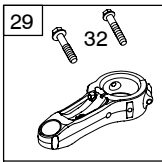


1319 WARNING LABEL

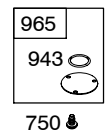
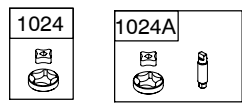
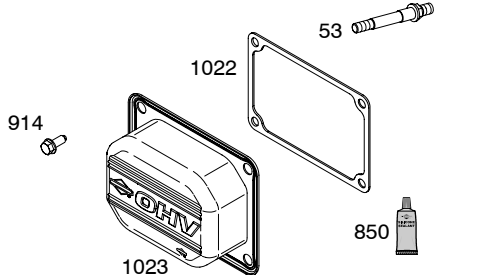
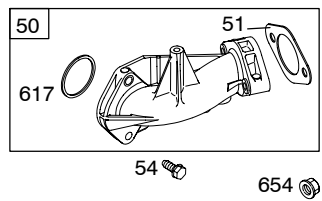
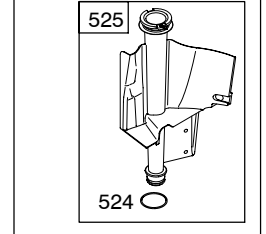
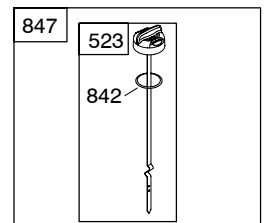
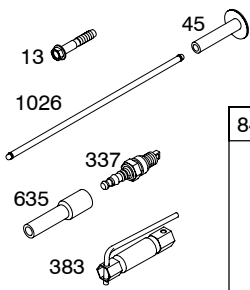
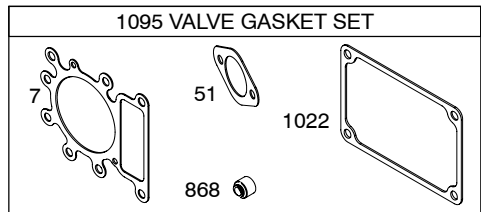
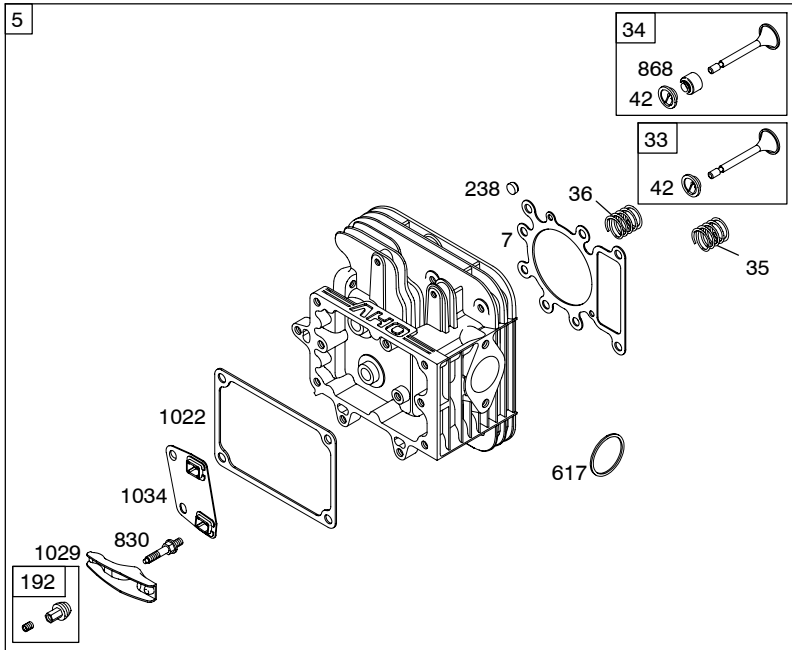
WARNING

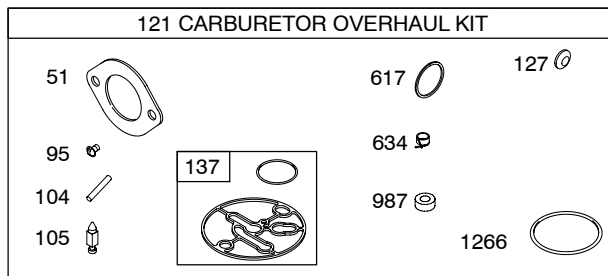
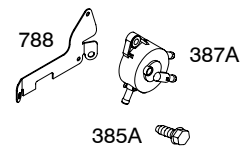
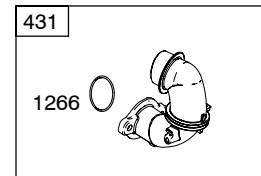
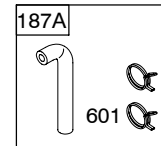
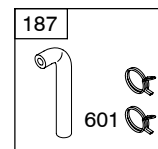
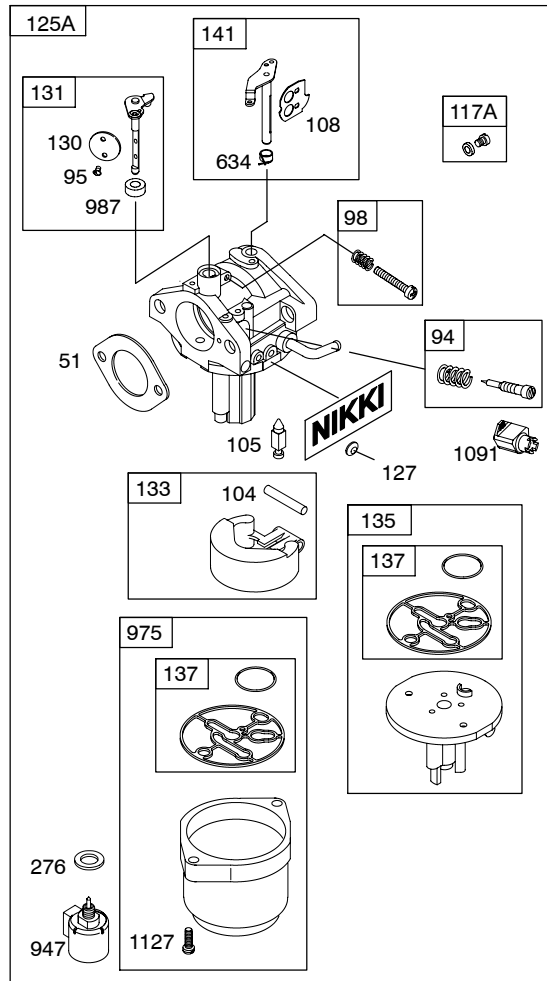
- Read and follow Operating Instructions before running engine.
- Gasoline is flammable. Allow engine to cool at least 2 minutes before refueling.
- Engines emit carbon monoxide, DO NOT run in enclosed area.
- Muffler area temperature may exceed 150°F. Do not touch hot parts.

REQUIRED when replacing parts with warning labels affixed.

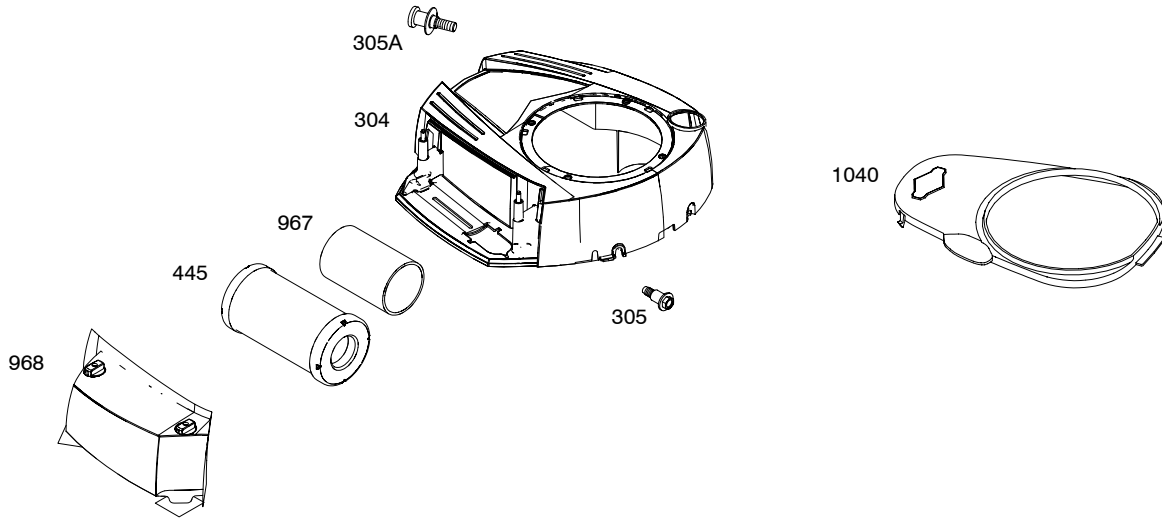


Illustrations cover a range of engines. Parts shown without corresponding text may not be used on your specific engine.



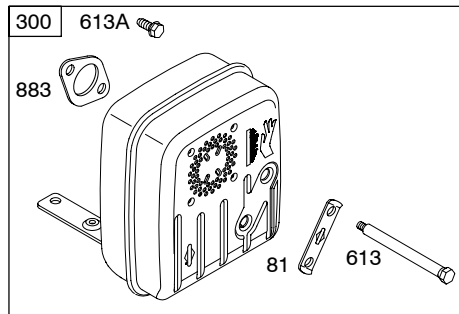
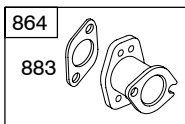


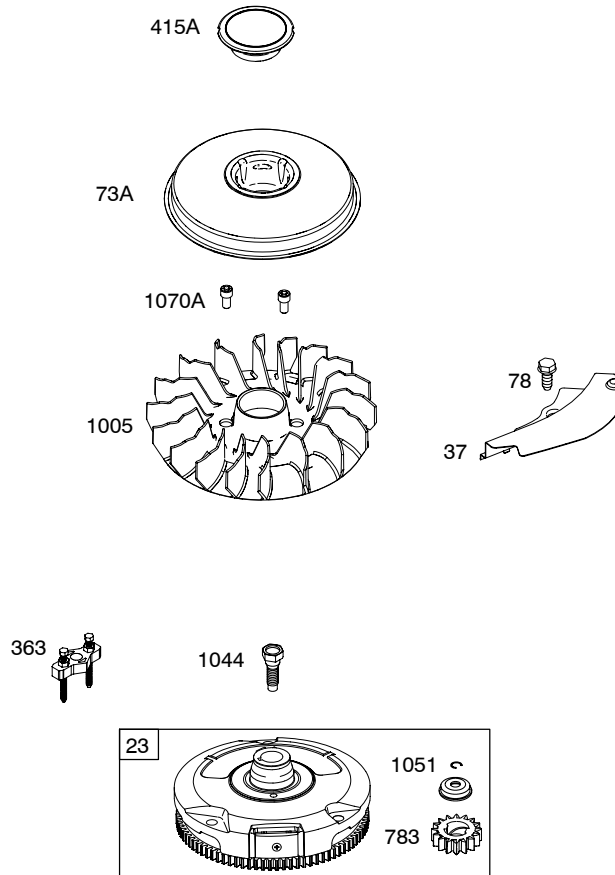
Illustrations cover a range of engines. Parts shown without corresponding text may not be used on your specific engine.

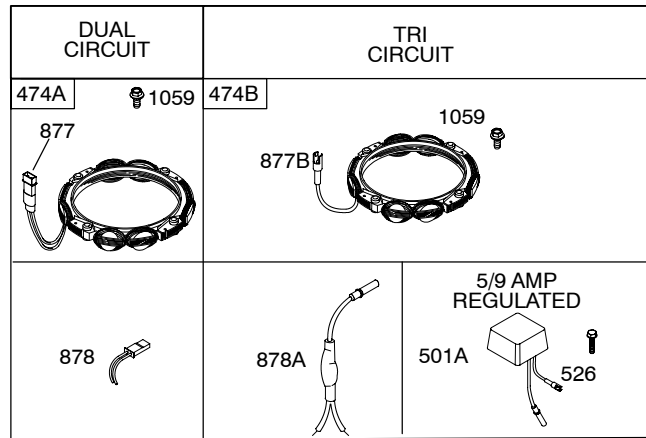



1036 EMISSIONS LABEL

823

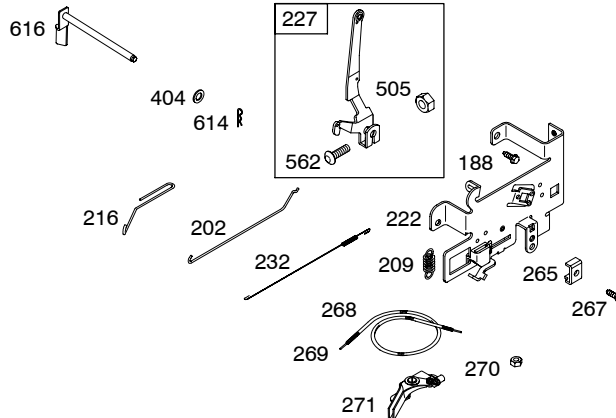
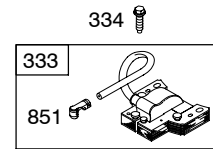
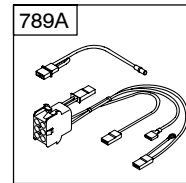
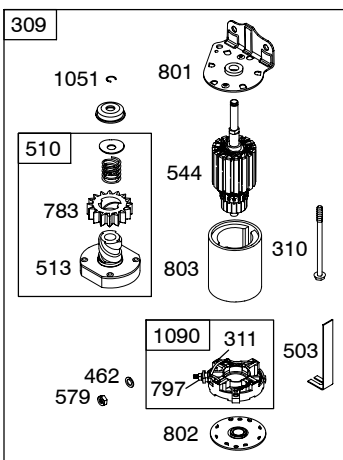






NOTE: All stators use a No. 1119 mounting screw. 

NOTE: The proper flywheel part number and/or the alternator magnet size will determine the alternator type or output. See repair instruction manual for additional information.



331800

REF. NO.	PART NO.	DESCRIPTION	REF. NO.	PART NO.	DESCRIPTION	REF. NO.	PART NO.	DESCRIPTION
1	794128	Cylinder Assembly	29	794122	Rod-Connecting Used on Type No(s). 0805.	127	●690727	Plug-Welch
2	399265	Kit-Bushing/Seal (Magneto Side)				130	792747	Valve-Throttle
3	★391086s	Seal-Oil (Magneto Side)			----- Note -----	131	792765	Kit-Throttle Shaft
4A	697188	Sump-Engine			794571 Rod-Connecting	133	694914	Float-Carburetor
5	794123	Head-Cylinder			Used on Type No(s). 0036.	135	698780	Tube-Fuel Transfer (Gravity Feed)
7	★Δ794114	Gasket-Cylinder Head						----- Note -----
9	★697109	Gasket-Breather	32	791118	Screw (Connecting Rod)			792022 Tube-Fuel Transfer (Pump Feed)
10	697157	Screw (Breather Assembly)	33	792868	Valve-Exhaust	137	●698781	Gasket-Float Bowl
11	697113	Tube-Breather	34	791935	Valve-Intake	141	792777	Kit-Choke Shaft
12	★697110	Gasket-Crankcase (.015" Thick) (Standard)	35	691279	Spring-Valve (Intake)	146	691639	Key-Timing
13	793988	Screw (Cylinder Head)	36	691279	Spring-Valve (Exhaust)	187	791805	Line-Fuel (Formed)(10-1/4 Inches Long)(Cut to Required Length)
15	690946	Plug-Oil Drain (Square Head)	37	699882	Guard-Flywheel	187A	791806	Line-Fuel (Formed)(21 Inches Long)(Cut To Required Length)
16	697127	Crankshaft Used on Type No(s). 0805.	42	499586	Keeper-Valve			
		----- Note -----	43	691968	Slinger-Governor/Oil			
		697516 Crankshaft Used on Type No(s). 0036.	45	690564	Tappet-Valve			
20	★791892	Seal-Oil (PTO Side)	46	793880	Camshaft			
22	692125	Screw (Crankcase Cover/Sump)	50	690193	Manifold-Intake	188	691693	Screw (Control Bracket)
23	794187	Flywheel Used on Type No(s). 0805.	51★Δ●692137	Gasket-Intake				
		----- Note -----	53	690227	Stud (Carburetor)	192	691986	Adjuster-Rocker Arm
		795014 Flywheel Used on Type No(s). 0036.	54	691148	Screw (Intake Manifold)	202	691841	Link-Mechanical Governor
24	222698s	Key-Flywheel	73A	794357	Screen-Rotating	209	692208	Spring-Governor
25	794124	Piston Assembly (Standard)	74	697897	Screw (Rotating Screen)	216	691840	Link-Choke
		----- Note -----	78	691003	Screw (Flywheel Guard)	222	694042	Bracket-Control
		794125 Piston Assembly (.020" Oversize)	81	691178	Lock-Muffler Screw	227	691374	Lever-Governor Control
26	794126	Ring Set (Standard)	88	695408	Kit-Idle Speed	232	691842	Spring-Governor Link
		----- Note -----	104	●694918	Pin-Float Hinge	238	691843	Cap-Valve
		794127 Ring Set (.020" Oversize)	105	●696136	Valve-Float Needle	240	394358s	Filter-Fuel (White, 75 Microns) Used on Type No(s). 0805.
27	698469	Lock-Piston Pin	108	695419	Valve-Choke	240A	691035	Filter-Fuel (Includes Paper Element With A 40 Micron Rating) Used on Type No(s). 0036.
28	794143	Pin-Piston (Standard)	117A	791501	Jet-Main (Standard)	265	691024	Clamp-Casing
			118A	843099	Jet-Main (High Altitude)	267	792629	Screw (Casing Clamp)
			121	792369	Kit-Carburetor Overhaul (Nikki Carburetor)	268	691025	Casing-Control Wire (Cut To Required Length)
			125A	794136	Carburetor (Nikki Carburetor)			

★ Included in Engine Gasket Set-Ref. No.358.

● Included in Carburetor Overhaul Kit-Ref. No. 121A.

Δ Included in Valve Gasket Set-Ref. No 1095.

Illustrations cover a range of engines. Parts shown without corresponding text may not be used on your specific engine.

REF. NO.	PART NO.	DESCRIPTION	REF. NO.	PART NO.	DESCRIPTION	REF. NO.	PART NO.	DESCRIPTION
269	691026	Wire-Control (Cut To Required Length)	474A	696459	Alternator (Dual Circuit) Used on Type No(s). 0805.	676	393761	Deflector-Muffler Used on Type No(s). 0036.
270	691027	Nut (Control Wire Casing)	474B	696457	Alternator (Tri Circuit) Used on Type No(s). 0036.	677	690661	Screw (Muffler Deflector)
271	691028	Lever-Control	501A	691188	Regulator (5/9 Amp. Regulated) Used on Type No(s). 0036.	691	★692407	Seal-Governor Shaft
276	695410	Washer-Sealing	503	691532	Strap-Starter	697	690372	Screw (Drive Cap)
300	697349	Muffler Used on Type No(s). 0036).	505	691251	Nut (Governor Control Lever)	718	690959	Pin-Locating
304	794142	Housing-Blower (Black)	510	693699	Drive-Starter	729	691224	Clip-Wire
305	697102	Screw (Blower Housing)	513	692024	Clutch-Drive	741	697128	Gear-Timing
305A	793376	Screw (Blower Housing)	523	699908	Dipstick	750	790832	Screw (Oil Pump Cover)
305B	94321	Screw (Blower Housing to Elbow)	524	★691032	Seal-Dipstick Tube	757	793242	Link-Counterweight
306	794110	Shield-Cylinder	525	697184	Tube-Dipstick Used on Type No(s). 0805.	758	697134	Counterweight
307	691003	Screw (Cylinder Shield)	----- Note -----		697085 Tube-Dipstick Used on Type No(s). 0036.	759	697392	Pin-Counterweight
309	693551	Motor-Starter	526	697088	Screw (Regulator)	783	693713	Gear-Pinion
310	690323	Screw (Starter Motor)	544	692034	Armature-Starter	788	699347	Bracket-Fuel Pump Used on Type No(s). 0036.
311	497608	Brush Set	552	697144	Bushing-Governor Crank	789A	698329	Harness-Wiring
333	492341	Armature-Magneto	562	691119	Bolt (Governor Control Lever)	797	693167	Nut (Brush Retainer)
334	691061	Screw (Magneto Armature)	579	691029	Nut (Starter Cable)	801	691283	Cap-Drive
337	491055s	Plug-Spark	584	697112	Cover-Breather Passage	802	691286	Cap-End
356	697089	Wire-Stop Used on Type No(s). 0036.	601	791850	Clamp-Hose	803		Housing-Starter (Not Serviced Separately, Order Starter Motor 693551)
358	794150	Gasket Set-Engine	613	691416	Screw (Muffler)	823	698941	Screw (Muffler Adapter)
363	19203	Puller-Flywheel	613A	690297	Screw (Muffler)	830	691095	Stud-Rocker Arm
383	89838s	Wrench-Spark Plug	614	691620	Pin-Cotter	842	★691031	Seal-O Ring (Dipstick Tube)
385A	690297	Screw (Fuel Pump)	616	692012	Crank-Governor	847	790442	Dipstick/Tube Assembly
387A	808656	Pump-Fuel Used on Type No(s). 0036.	617	★692138	Seal-O Ring (Intake Manifold)	850	100100	Sealant-Liquid (Used After Code Date 07071500).
404	691691	Washer (Governor Crank)	634	●698779	Spring/Seal Assembly	851	692424	Terminal-Spark Plug
415	690283	Plug (Sump)	635	691909	Boot-Spark Plug	864	697346	Adapter-Muffler Used on Type No(s). 0036.
415A	794129	Plug (Cover/Retainer)	654	690958	Nut (Carburetor)	868	★△690968	Seal-Valve
431	794145	Elbow-Intake				877	393456	Wire/Connector- Alternator (Dual Circuit)
445	793569	Filter-Air Cleaner Cartridge				877B	393357	Wire/Connector- Alternator (Tri Circuit)
455	794136	Filter-Air Cleaner Cartridge				878	398661	Harness-Alternator (Dual Circuit)
462	691261	Washer (Starter Cable)						

★ Included in Engine Gasket Set-Ref. No.358.

△ Included in Valve Gasket Set-Ref. No 1095.

● Included in Carburetor Overhaul Kit-Ref. No. 121A.

Illustrations cover a range of engines. Parts shown without corresponding text may not be used on your specific engine.

331800

REF. NO.	PART NO.	DESCRIPTION	REF. NO.	PART NO.	DESCRIPTION	REF. NO.	PART NO.	DESCRIPTION
878A	691955	Harness-Alternator (Tri Circuit)	1024A	794644	Pump-Oil (Used After Code Date 07051600).	1059	698516	Kit-Screw/Washer
883	692236	Gasket-Exhaust				1070A	690363	Screw (Flywheel Fan)
914	691108	Screw (Rocker Cover)	1026	692003	Rod-Push (Intake)	1090	691293	Retainer-Brush
943	★690589	Seal-O Ring (Oil Pump Cover)			----- Note -----	1091	691333	Cap-Limiter
947	699915	Solenoid-Fuel			692011 Rod-Push (Exhaust)	1095	794158	Gasket Set-Valve
965	499613	Cover-Oil Pump	1027	696854	Filter-Oil	1119	691183	Screw (Alternator)
967	793685	Filter-Pre Cleaner	1029	691751	Arm-Rocker	1127	695407	Screw (Float Bowl)
968	794140	Cover-Air Cleaner (Black)	1032	491710	Ball-Oil Pump	1263	697124	Reed-Breather
975	699502	Bowl-Float	1034	690822	Guide-Push Rod	1264	697104	Screw (Breather Reed)
987	●698777	Seal-Throttle Shaft	1035	693784	Shaft-Pump	1265	794151	Support-Blower Housing
1005	794121	Fan-Flywheel	1036		Label-Emissions (Available From A Briggs & Stratton Authorized Dealer)	1266	★●691917	Seal-O Ring (Intake Elbow)
1017	690770	Screen-Oil Pump				1270	793243	Plug-AVS Counterweight
1022★△272475s		Gasket-Rocker Cover (Used Before Code Date 07071600).	1040	698368	Plate-Trim	1279	691108	Screw (Blower Housing Support)
1023	791079	Cover-Rocker	1044	698139	Screw (Flywheel)			
1024	499054	Pump-Oil (Used Before Code Date 07051700).	1051	691265	Ring-Retaining	1319	794467	Label-Warning
			1058	276344	Operator's Manual			

★ Included in Engine Gasket Set-Ref. No.358.

● Included in Carburetor Overhaul Kit-Ref. No. 121A.

△ Included in Valve Gasket Set-Ref. No 1095.

Illustrations cover a range of engines. Parts shown without corresponding text may not be used on your specific engine.